



PH-100

Single-Sided Headset with Flexible Dynamic Boom Mic

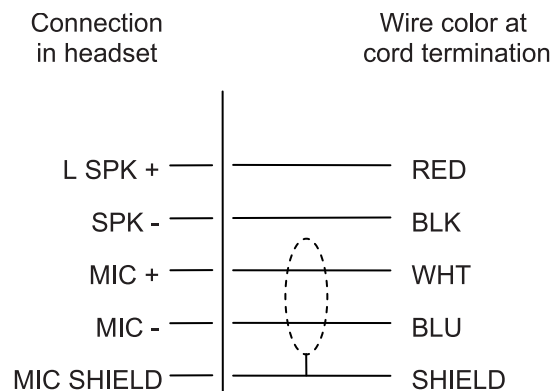
The PH-100 is a premium medium-weight noise reduction headset with dynamic microphone. The PH-100 features a unique, comfortable headband design that distributes pressure evenly. This headset comes with high quality moleskin cushions and offers a 21 dB noise reduction rating. The PH-100 is portable and able to fold into an extremely compact shape. Available in 4- or 5-pin XLR connectors (male or female) and pigtail termination.

Features

Boom Microphone

Headband Pressure Adjustments

Wiring Diagram



PH-100 Specifications

Connector Termination

PH-100: XLR 4-pin Female
PH-100A5: XLR 5-pin Female
PH-100PT: Stripped Wire
PH-100R: XLR 4-pin Male
PH-100R5: XLR 5-pin Male

Type

Single Sided

Mic Type

Dynamic Noise-Canceling

Mic Sensitivity

-65dBV/Pa @1cm

Mic Frequency Range

150Hz - 8kHz

Mic Impedance

200Ω

Speaker Sensitivity

97dB SPL @1kHz, 1mW

Speaker Frequency Range

500Hz - 4kHz

Speaker Impedance

300Ω

Weight

16oz. (not including cord)

Cord Length

6 ft.

Ordering Information

PH-100

Single-Sided Headset with Flexible Dynamic Boom
Mic & A4F Connector
Catalog Number: 301581-007

PH-100A5

Single-Sided Headset with Flexible Dynamic Boom
Mic & A5F Connector
Catalog Number: 301581-009

PH-100PT

Single-Sided Headset with Flexible Dynamic Boom
Mic, & Pigtail Termination
Catalog Number: 301581-011

PH-100R

Single-Sided Headset with Flexible Dynamic Boom
Mic & A4M Connector
Catalog Number: 301581-008

PH-100R5

Single-Sided Headset with Flexible Dynamic Boom
Mic & A5M Connector
Catalog Number: 307581-010

This specifications information is preliminary and is subject to change without notification.

Brand names mentioned are the property of their respective companies.