

TANNOY®

SUBWOOFERS
SUBWOOFERS
SUBWOOFERS
SUBWOOFERS



110 SR

The Tannoy 110 SR Sheet Rock subwoofer - like its companions, the 110 TB (Tile Bridge) and the 110 CS (Corner Sub) - is a compact, 10" down-firing, vented cabinet capable of 31Hz @ -3dB.

The 110 SR flush mounts into sheet rock ceilings, walls, or overhangs - any position offering adequate clearance and suitable structural support. The unit comes complete with a low profile square grille.

The 110 SR cabinet is fitted with seismic tether points and comes with a sturdy pre-installation ring (110 SR-Ring) for safe and secure installation of the unit. (The pre-installation ring is available separately for new construction where the sheet rock installers arrive before the contractor.) Fire rating for the 110 SR is NFPA Grade A.

The 110 SR incorporates an 8" x 10" input module located on the side of the cabinet. The input module controls are easily accessed by removing the grille. The 110 SR remains serviceable and fully removeable from the ground after installation.

The 110 SR can be ordered with a passive input module (110 SR-P) connected via barrier strip, or with a passive internal crossover (110 SR-PX). Both passive modules can be powered by a THP 60 Watt / 70 Volt line transformer for distributed systems (110 SR-P70V and 110 SR-PX 70V).

Alternatively, the 110 SR can be powered by a 110 Watt active amplifier (110 SR-A) or with a Tannoy PowerLinx PLA 305 - 300 Watt multi-channel amplifier (110 SR-MC), with 110 Watts dedicated to the subwoofer. Both the active and multi-channel options are UL and CSA approved.

DRIVER DETAIL



ACTIVE INPUT MODULE



INSTALLED



CONTROL ACCESSIBILITY



SUBWOOFERS

110 SR

SYSTEM

System Type	Subwoofer - Direct Radiating
Frequency Response +/- 3dB (1)	31Hz - 150Hz
	-10dB 26Hz
Maximum SPL @ 1 meter	Average 105dB Peak 111dB

ELECTRONICS - (110 SR-A)

Input	3 pin XLR female; pin 2 positive
Sensitivity (2)	500mV for rated output
Low Pass Filter	Fixed 12dB/oct @ 130Hz, with variable 12dB/oct, 50 - 150Hz
High Pass Filter	32Hz 6 th order, Electro - Acoustic
Amplifier Type	Class AB Mosfet
Amplifier Output Power	110 Watts into 6 load
User Controls and Indicators	Level, low pass frequency, bass boost. Pin 1 lift, phase +/- 180°, low pass, all pass, power on/off

CONSTRUCTION

Driver Complement	254mm (10") bass unit
Enclosure	Direct radiating vented MDF
Connectors	Passive Modules Barrier strip
Finish	Textured Black
Dimensions	110 SR 314 x 483 x 483mm (12 ³ / ₈ x 19 x 19") 110 SR Ring 368 x 368 x 19mm (23 ⁵ / ₈ x 23 ⁵ / ₈ x 3 ³ / ₄ ")
Weight (each)	15.4kg (34lbs)
Shipping	Quantity 1 Weight 16.8kg (37lbs) Pack Dimensions 406 x 565 x 565mm (16 x 22 ¹ / ₄ x 22 ¹ / ₄ ")
Accessories	110 SR Ring Pre-installation ring

NOTES: (1) Average over stated bandwidth. Measured at 1 meter on axis.
(2) Unweighted pink noise input, measured at 1 meter in an anechoic chamber

A full range of measurements, performance data, and Ease™ Data can be downloaded from www.tannoy.com

Tannoy operates a policy of continuous research and development. The introduction of new materials or manufacturing methods will always equal or exceed the published specifications, which Tannoy reserves the right to alter without prior notice. Please verify the latest specifications when dealing with critical applications.

APPLICATIONS

- Foreground music systems
- Business music systems
- Retail outlets
- Reception / waiting rooms
- Boardrooms & offices
- Museums and interactive exhibits
- Convention centers, hotels
- Cruise ships
- Houses of worship

FEATURES

- 254mm (10") bass unit
- Easy access to system controls
- Input module options - system flexibility
- Seismic tether straps
- Pre-install ring for drywall contractors
- Class A fire classification point
- Quick & easy mounting
- Active input module
- 110 Watts - 6 load
- L/R fully balanced inputs & outputs
- Variable low pass
- Fixed 80Hz high pass output available
- UL & CSA approved

ARCHITECTURAL SPECIFICATIONS

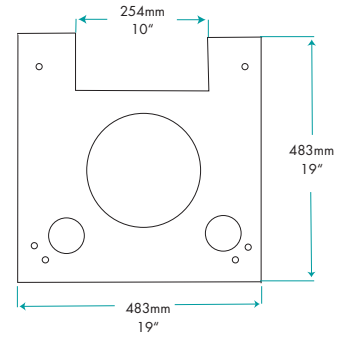
The bass loudspeaker shall consist of a 254mm (10") low frequency transducer mounted within a vented direct radiating enclosure. An 8"x 10" input module shall be incorporated into the design to offer multiple system options.

Performance of the loudspeaker, without any electronic control shall meet or exceed the following criteria: Frequency response measured at 1 meter on axis shall be 31Hz - 150Hz (+/-3dB). Sensitivity shall be 500mV for rated output on active input module and at least 93dB (half space) on passive input modules for 2.83 Volts @ 1 meter. The system shall be capable of producing a peak output level of 111dB (half space) on axis at 1 meter. The system shall have a nominal impedance of 6 , maximum power handling shall be 110 Watts (programme) on passive input modules.

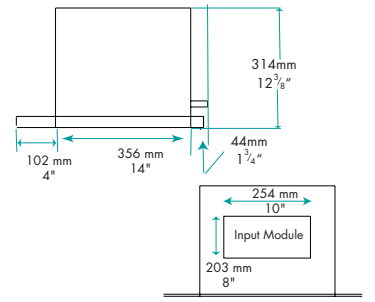
The enclosure shall be an optimally tuned, vented enclosure constructed of MDF and finished in a textured black fire resistant paint. Input connectors shall be a barrier strip on passive modules and 3 pin XLR female on the active module. The enclosure shall be designed to fit into a sheet rock ceiling, field serviceable, have access to system controls from below and incorporate a pre-installation ring. The enclosure shall not exceed the following dimensions: 314 x 483 x 483mm or 12 " x 19x 19" (H x W x D).

The bass loudspeaker shall be the Tannoy...110 SR.

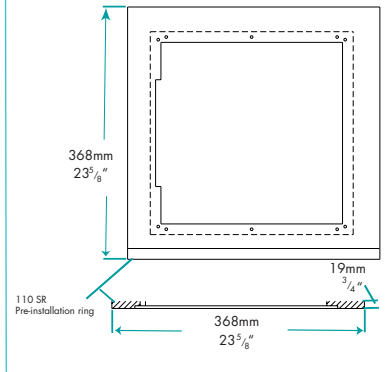
TOP ELEVATION



SIDE ELEVATION



TOP ELEVATION - 110SR-RING



TANNOY®

Tannoy United Kingdom | T: +44 (0) 1236 420199 | F: +44 (0) 1236 428230 | E: enquiries@tannoy.com
Tannoy North America | T: (519) 745 1158 | F: (519) 745 2364 | E: enquiries@tannoy.com

tannoy.com