

100IC6ST

Product Data Sheet



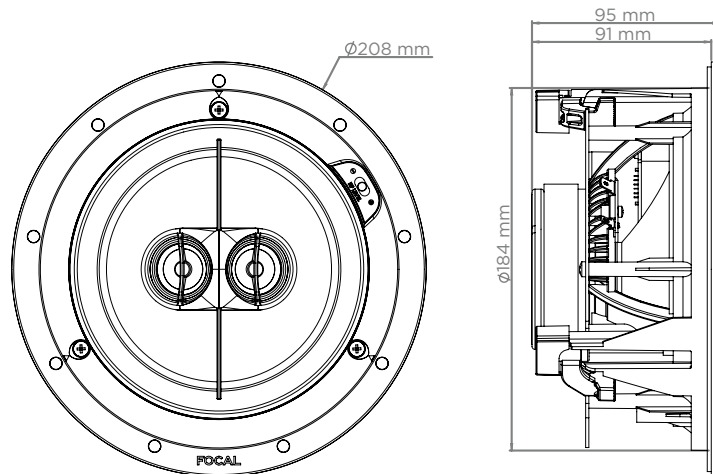
Key Points

- Product designed and developed in France by Focal
- Compact product with shallow mounting depth
- For in-ceiling or in-wall loudspeakers (1 product, 2 uses)
- Possible to connect two loudspeakers to the same amplifier output
- Ready-to-paint grille

Technical Specifications

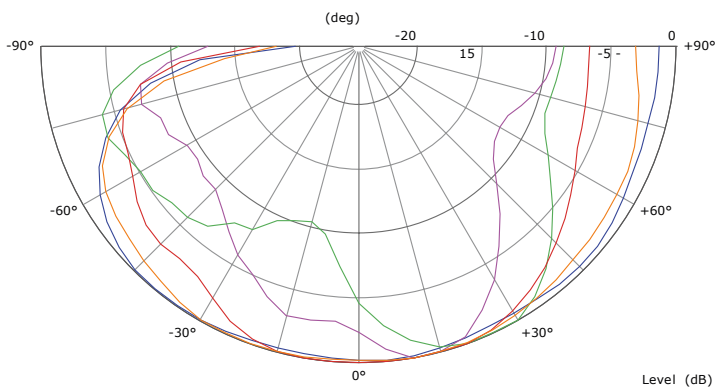
Type	In-ceiling - Stereo 2-way coaxial
Drivers	6 ¹ / ₂ " (16.5cm) Dual voice coil Polyglass Midbass 2 x 1" (25mm) Al inverted dome Tweeters
Sensitivity (2.83V/1m)	89dB
Frequency response (+/-3dB)	60Hz-23kHz
Low frequency point (-6dB)	48Hz
Nominal impedance	2 x 8Ω
Minimal impedance	2 x 6.7Ω
Recommended amplifier power	25-100W
External dimensions (Ø/Depth)	8 ³ / ₁₆ "x3 ³ / ₄ " (208x95mm)
Cut-Out diameter	7 ¹ / ₄ " (184mm)
Depth from wall	3 ⁹ / ₁₆ " (91mm)
Net weight (with front grille)	3.86lbs (1.75kg)
Packing dimensions (WxDxH)	10 ⁵ / ₈ "x10 ⁵ / ₈ "x6 ¹¹ / ₁₆ " (270x270x170mm)
Total weight (with packaging)	5.29lbs (2.40kg)

Dimensions

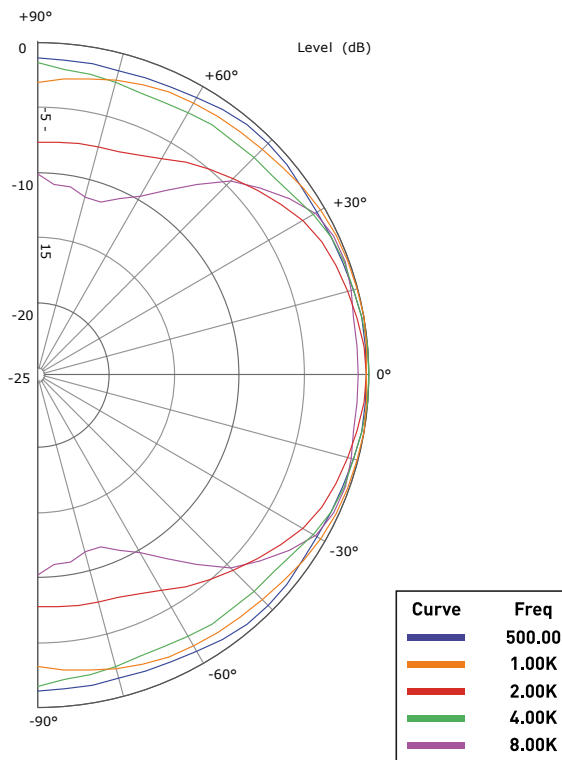


Measurements Directivity

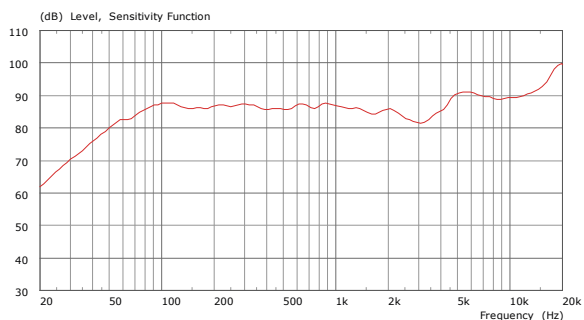
Horizontal (right)



Vertical



Frequency Response



100IC6ST Speaker level Calculation Table

Power/Distance	1m	2m	5m
1W (2.83V)	89dB	83dB	75dB
5W (8.94V)	99dB	93dB	85dB
10W (12.6V)	102dB	96dB	88dB
20W (15.5V)	104dB	98dB	90dB

Summary	125Hz	250Hz	500Hz	1kHz	2kHz	4kHz	8kHz
SPL (2.83V/1m) (dB)	89	89	88	89	88	87	91
Opening Angle at -6dB	180°	180°	180°	180°	110°	180°	100°