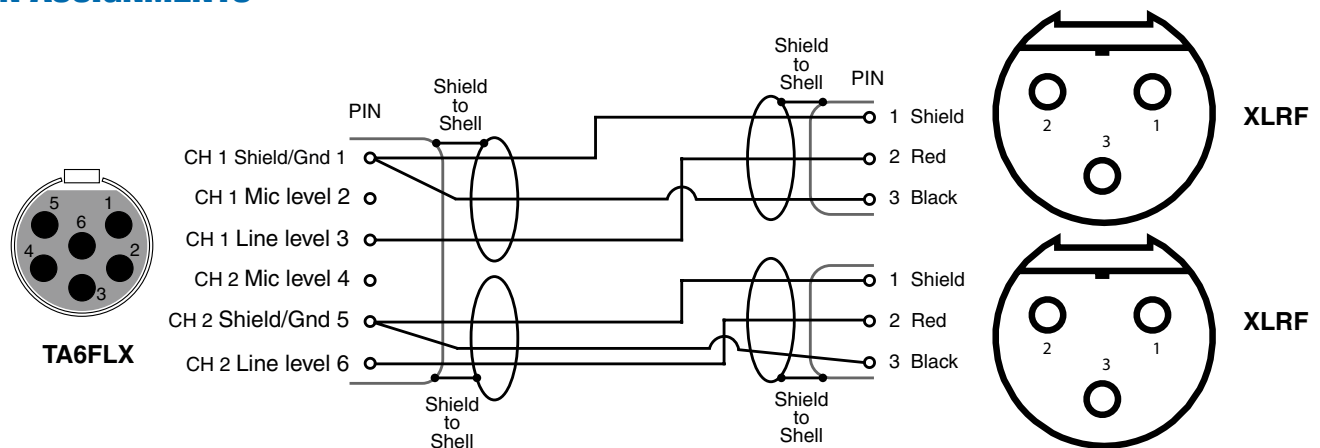


### XLRF (2) To TA6FLX Line Level Adapter Cable



#### PIN ASSIGNMENTS



This cable is used to connect the input of the Lectrosonics Digital Camera Hop Transmitter to the analog output of a mixer or receiver. It is constructed with a TA6FLX jack, ultra flexible cable and (2) 3-pin female XLRF connectors. The connectors have soldered connections to the cable, allowing them to be serviced or replaced if the need arises.

Connectors: • 6-pin TA6F female  
• XLR-3 female (2)

Cable: Shielded, 2.7 mm OD

Length: 18 inches

