

PHX LVD LED PROFILE

The 5°, 10°, 19°, 26°, 36° and 50° fixed focus PHX LVD LED profiles are state of the art luminaires in function, style, and efficiency. These profiles have been designed and engineered with a number of innovative details and features enhancing versatility and efficiency without sacrificing performance.

This makes the PHX LVD ideal for use in concert halls, recording studios, small venues or wherever ambient noise is a concern. Under Mains Dim Control these Units can plug directly into a theatrical phase cut dimmers whether they are forward or reverse phase, and are specially designed to replicate the smooth dimming curve of their incandescent counter part.

Fully locking shutters and a 360° rotating barrel help keep your keep the artistic part of your fixtures focus intact and easy to attain, with virtually no light leak. The aesthetic appearance and ergonomically designed function controls only add to the appeal.



PHX LVD Fixed Lens Profile

Product Features:

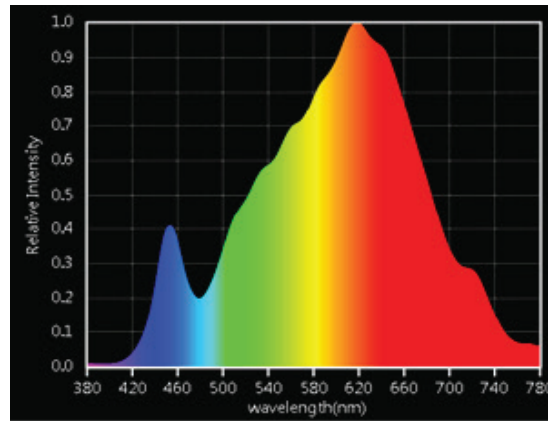
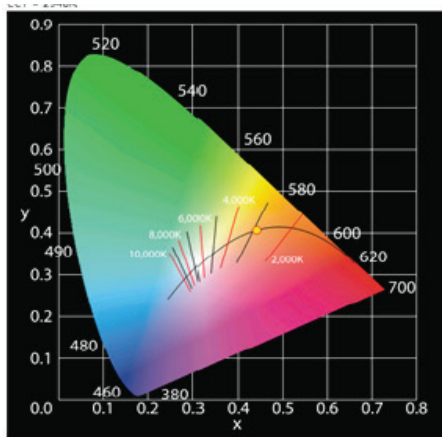
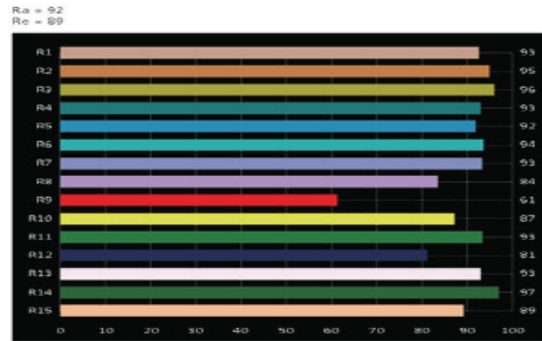
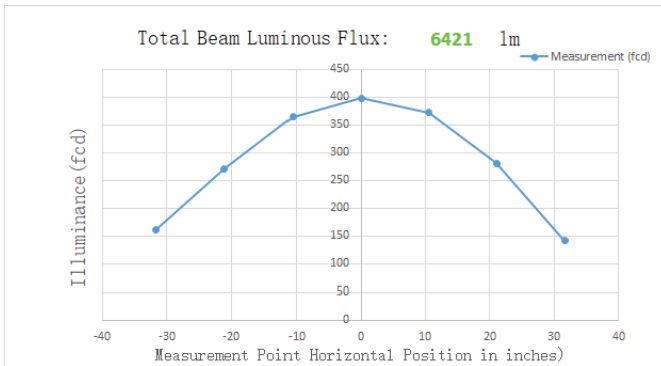
- 360-degree rotating barrel
- Heat resistant Plano-Convex lensing
- Die-cast aluminum and sheet metal fabrication
- Color frame, C-Clamp, Safety Cable and 5 foot PowerCON included
- Available standard in Black or White
- Positive locking double-clutch fixture body
- Wide accessory slot with sliding cover for motorized pattern devices or optional iris
- Yoke made from rigid flat steel with dual locking handles, two mounting positions and indexed tilt angle markings
- Carries standard 5 year plus 1 day Altman Warranty
- 25.5 lbs. (11.56 kg.)
- PSE listed (IP20 Rated for indoor use)
- Assembled in the USA
- No cost technical support for the life of your product



Photometric Performance - PHX LVD Luminaires (at Full Intensity)

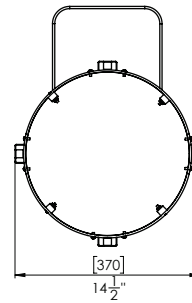
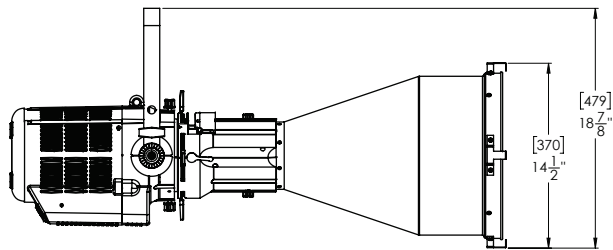
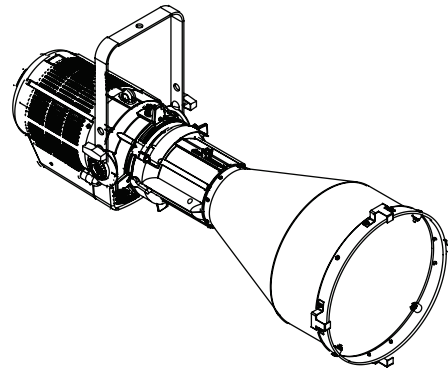
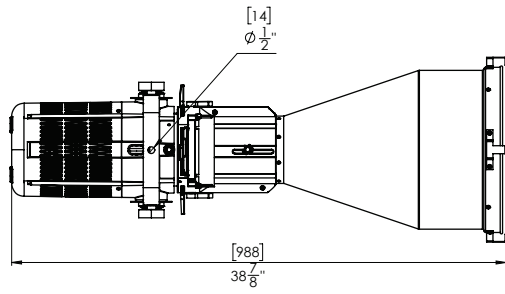
26 Degree Lens - 6040 Lumens

Throw Distance (d)	10' 3m"	15' 4.6m"	20' 6m"	25' 7.6m"	30' 9m"	40' 12.2m"	50' 15.2m"
Beam Size Diameter	4.55' 1.38m"	6.83' 2.08m"	9.10' 2.77m"	11.38' 3.46m"	13.65' 4.16m"	18.20' 5.54m"	22.75' 6.93m"
Illuminance = fc (Illuminance = lux)	479 (5155)	212 (2291)	119 (1280)	76 (818)	53 (570)	29 (312)	19 (204)

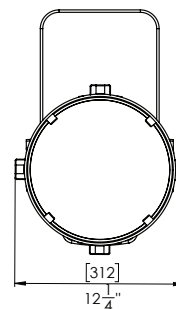
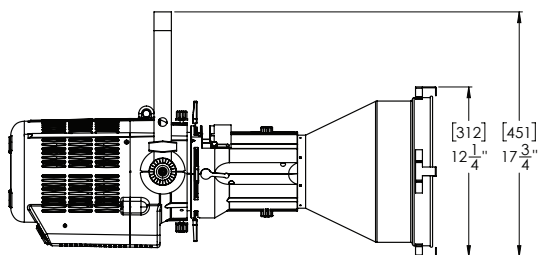
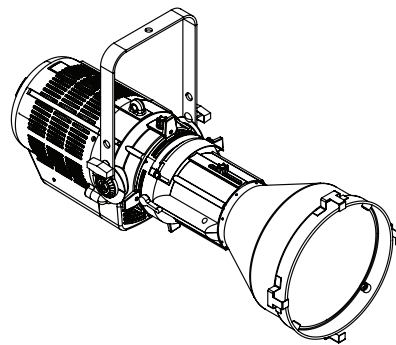
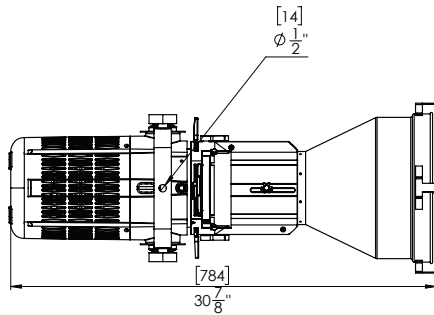


Parameter	Value
CCT	3021 K
Duv	-0.0040
CRI (Ra) (R1~R8)	94
CRI (Re) (R1-R15)	93
CQS	93
TLCI(Qa)	94
GAI	63
TM-30-15 Rf	87
TM-30-15 Rg	96

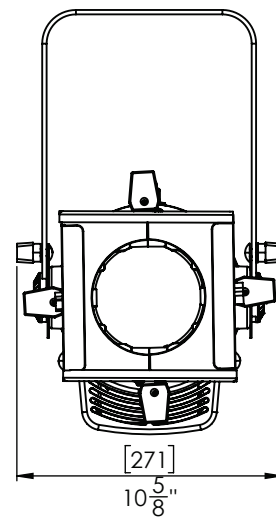
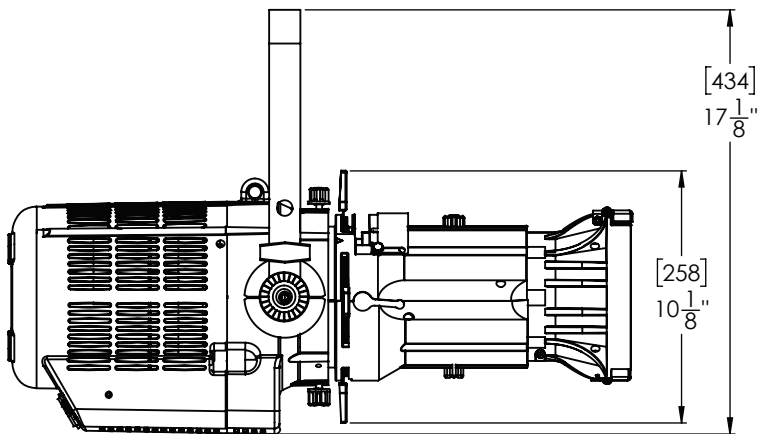
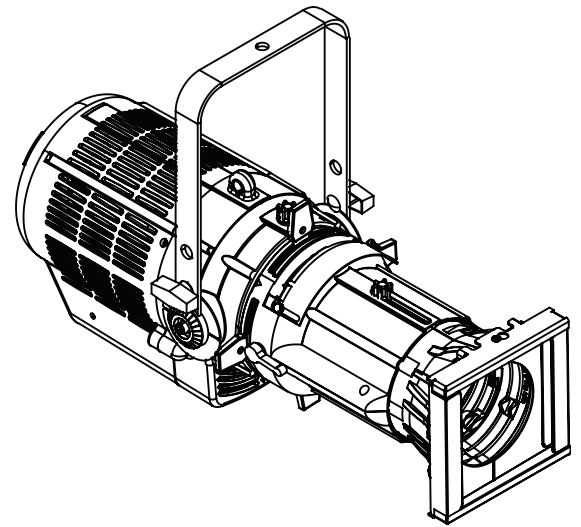
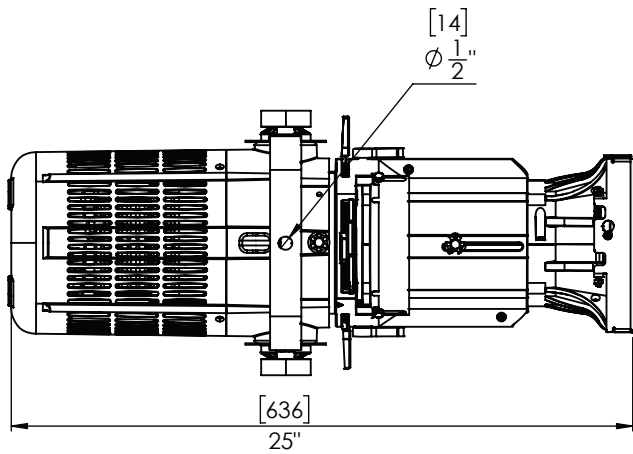
PHX LVD - 5 Degree Profile Spot



PHX LVD - 10 Degree Profile Spot



PHX LVD - 19 / 26 / 36 / 50 Degree Profile Spot



Specifications

Materials:	Corrosion-resistant materials and hardware
Control:	Mains Dimmable
Light Engine:	LED Array-Available in 3000K, 5000K
Beam Lumens:	See photometrics
CRI:	>93
CQS:	88
TM-30-15 Rf (3k):	89
TM-30-15 Rg (3k):	99
Rated LED Life:	Array rating >50,000 hours to L70
Input Voltage:	100-240 VAC 50/60 Hz (internal dip switch setting for 230 VAC dimming curve)
Watts:	200
Current Draw:	1.66A at 120VAC / 0.86A at 230VAC
LED Engine Cooling:	Active Cooling at <19 dBA
Environment:	0 - 40°C (32 - 104°F) with humidity of 5-95% non-condensing)
Weight:	25.5 lbs. (12.81 kgs.)
Body Color:	Black or White
Compliance:	PSE Compliance
Warranty:	Five (5) years and One (1) day
Support:	Supported Forever - free phone and online tech support for the life of your product.

Note: There are many aftermarket accessories for Altman Lighting products available through third-party suppliers. When considering these aftermarket accessories, we suggest that you consult with your Altman Regional Sales Manager beforehand regarding capability and effects on product performance.

IMPORTANT! Do not connect more than four (4) luminaires to the same dimmer. Connecting more than four luminaires to the same dimmer will result in undesired low-end dimmer response. Note: dimmer must be sized appropriately to handle the luminaire load.

Ordering Information

PHXLVD-(LED ARRAY)-(LENS TYPE)-(FINISH COLOR)

Model	PHX LVD (PHX 200W LED Profile Spot)
LED Array:	3K (3000K), 5K (5000K)
Lens Type:	5 (5°), 10 (10°), 19 (19°), 26 (26°), 36 (36°), or 50 (50°)
Body Color:	Black (B) or White (W)

Note: Each unit ordered includes a 6-1/4" x 6-1/4" Color Frame (4.5-CFB), C-Clamp (510), 36" Black Safety Cable (SC-36-BK) and 5' 20A PowerCon to Edison Cable (PCL-PBG-12-5)

Accessories

4.5-CFB	Color Frame, 6-1/4" x 6-1/4"
10-CFB	Black Color Frame, 12" x 12" (Included with PHX-10)
12-CFB	Black Color Frame, 14" x 14" (Included with PHX-5)
510	Malleable Iron Pipe Clamp
510-HD	Heavy Duty Malleable Iron Pipe Clamp
SC-36-BK	36" Black Safety Cable with Spring Clamp
4.5-DN	6-1/4" x 6-1/4" Donut, Black with 2-1/2" Hole
10-DN	12" x 12" Donut, Black for 10° lens
12-SN	14" x 14" Donut, Black for 5° lens
PDII	Phoenix Drop In Iris
PHX-PHGSA	A Size Steel Pattern Holder (100mm OD / 75mm IA)
PHX-PHGSB	B Size Steel Pattern Holder (86mm OD / 64.5mm IA)
PHX-PHGSA-GLS	B Size Glass Pattern Holder (82mm OD / 64.5mm IA)
PHX-PHGS86-GLS	B Size Glass Pattern Holder (86mm OD / 64.5mm IA)
PHX-PHISB	B Size Steel Pattern Holder (86mm OD / 64.5mm IA) for Iris Slot
PHX-PHISA-GLS	A Size Glass Pattern Holder (100mm OD / 75mm IA) for Iris Slot
PHX-PHISB-GLS	B Size Glass Pattern Holder (82mm OD / 64.5mm IA) for Iris Slot
PHX-PHIS86-GLS	B Size Glass Pattern Holder (86mm OD / 64.5mm IA) for Iris Slot
PCL-PBG-12-*	5' 20A PowerCON with Parallel Blade U Ground (Edison)
PCL-2P&G-12-5-*	5' 20A PowerCON with 2P&G Stage Pin Connector, Male
PCL-TLG-12-5-*	5' 20A PowerCON with L5-20P Twist Locking Ground Connector, Male
PCL-BARE-12-5-*	5' 20A PowerCON with Bare End Lead