



EARMIX 16M

16x2 AVB-networked Personal Monitor Mixer



Key Features

- 16-channel AVB networkable personal monitor mixer
- Onboard 3-band EQ and Limiter on every channel plus the main mix
- Powered by PoE
- Integrated AVB switch supports daisy-chain network configurations
- High-performance headphone amplifier plus balanced stereo line outputs allow you to feed in-ears or floor wedges
- Aux input for click track and rehearsals

Applications

- Installed Sound
- Mobile Applications
- Theatre
- House of Worship
- Corporate
- Studio

Professional, networked personal monitoring

The PreSonus EarMix 16M is an advanced 16-channel personal monitor mixer designed to provide a high-quality, expandable, networked monitoring solution for stage, installed sound systems, and studio recording. We gave the EarMix 16M professional sound quality, easy-to-use mixing features, and a high-performance headphone amplifier, to ensure you have the monitoring tools you need for any situation.

The EarMix 16M provides each channel with a 3-band EQ and limiter. The processing is also available for the main bus, allowing each musician to sculpt a mix that works best for them. Channels can be easily grouped, simplifying complex mixes. Up to 16 monitor mix scenes can be stored locally, facilitating fast recall for multiple users.

Uniquely versatile personal monitoring.

For StudioLive Series III digital mixing systems, the EarMix 16M is a natural fit that adds personal monitor mixers wherever you need them, be it on stage, in the studio, or in the broadcast booth. When combined with the StudioLive 16R, the EarMix 16M becomes a complete personal monitoring solution that can be added to any existing mixing system. Simply connect the outputs of your installed mixer to the StudioLive 16R and route them to your EarMix 16M over AVB. The StudioLive 16R lets you add independent reverb, compressor and EQ plug-in models and much more to your monitoring system. Need more than 16 inputs? Combine the EarMix

16M with a StudioLive 24R or StudioLive 32R and you can create up to 16 independent buses that can be routed to any EarMix 16M on the network.

PoE: Remote power for networked devices.

The EarMix 16M can be powered with its included external power supply or over the same Ethernet connection that's used for AVB network audio, thanks to Power over Ethernet (PoE). With PoE, a single cable delivers both digital audio and electrical power. This allows you to put your EarMix 16M personal monitor mixer anywhere you need it. While compatible with any AVB switch that provides PoE, the PreSonus SW5E five-port AVB switch enables you to connect multiple EarMix 16Ms to the AVB network and power up to four units at once.

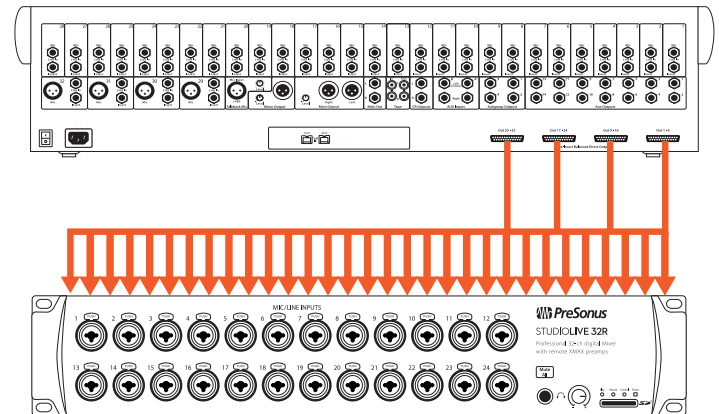
A complete networked solution.

The StudioLive Series III ecosystem of networked products are at the forefront of AVB networking technology. Designed to complement each other, the ecosystem is easily expanded and quickly configured. The EarMix 16M adds professional personal monitoring that can be located anywhere on the network. Whether used within a complete StudioLive Series III system, or employed as a standalone personal monitoring system, the EarMix 16M delivers powerful personal monitoring features with an intuitive workflow.

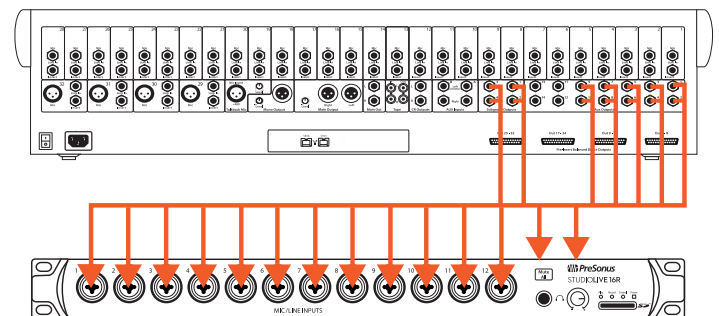
Application and Deployment

Like a traditional personal monitor mixing system, EarMix starts with a rack-mount input module. Available with 16, 24, or 32 local inputs, StudioLive Series III rack mixers will take your personal monitoring to the next level. Because the EarMix input module is a stand-alone mixer, you have Gate, EQ, Compression, and Limiting on every input and bus, plus the ability to create up to four effects mixes with reverb or delay.

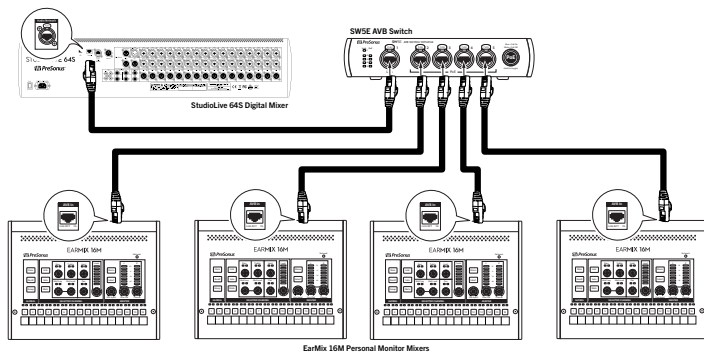
Using Direct Outputs



Using Busing



Using a StudioLive Series III Ecosystem



System Components

The following components are required for a standalone EarMix Personal Monitoring System:



StudioLive Series III rack mixer. The StudioLive 16R, 24R, or 32R can be used to convert up to 32 channels of analog sources to digital audio that can be sent to EarMix 16M personal monitor mixers over the AVB network. More than just input modules for analog-to-digital conversion, these mixer provide noise gate, compressor, EQ, and limiter on every input channel, plus flexible mix buses to simplify larger mixes, reverb, and delay.



EarMix 16M Personal Monitor Mixer. The PreSonus EarMix 16M personal monitor mixer provides 16 input channels over AVB each with 3-band EQ and limiter. Power-over-Ethernet (PoE) allows for easy deployment. Up to 16 EarMix 16Ms can be used simultaneously.



SW5e AVB Switch. PreSonus' SW5E AVB switch supplies five AVB ports with secure locking XLR Ethernet jacks. Four PoE ports provide power for EarMix 16M personal monitor mixer and other PoE devices. Network Link/Activity indicators help you ensure that network data is flowing properly.

UC Surface (Set-up only). To configure your EarMix system, you must connect UC Surface to your StudioLive rack mixer from an iPad™, Android™ tablet, Mac®, or Windows® computer. From UC Surface, you can add global processing, route audio to the EarMix 16M network, and give each unit a custom name. Once configured, all settings are stored locally on the StudioLive rack mixers and EarMix 16M personal monitor mixers.

Technical Specifications

Headphone Output	
Type	¼" TRS Female, active stereo
Maximum Output	150 mW/ch. @ 60Ω load
Frequency Response	20 Hz – 20 kHz (± 0.05 dB)
THD+N	0.01%, 1 kHz, max gain, 20 Hz BW, unwt'd
Line Outputs	
Type	¼" TRS Female, balanced
Maximum Output Level	+18 dBu, ±0.5 dBu
Output Impedance	100Ω
Digital Audio	
DAC Dynamic Range	115 dB (A-wtd, 48 kHz)
AVB Audio Network Ports	RJ45
Sampling Rate	48 kHz
Power	
External Power Supply	24 VDC
PoE Power	802.3at Type 1
Physical	
Height	1.8" (46 mm)
Width	9.4" (239 mm)
Depth	7.6" (193 mm)
Weight	1.2 lbs (0.5 kg)