



# Ibanez WAH PEDAL TWIN PEAKS OWNER'S MANUAL

## ENGLISH

Before using this device, be sure to read this manual thoroughly for safe use of it. After that, keep this manual in a safe place and read it whenever necessary.

In order to use this device properly, the contents to be observed are explained, classified as follows.

■ The severities of the injury and damage due to incorrect usage by ignoring the written contents are explained by the following classified indications.

<b>Warnings</b>	Indicates a potentially hazardous situation which, if not avoided, will result in death or serious injury.
<b>Cautions</b>	Indicates a potentially hazardous situation which, if not avoided, will result in injury or property damage.

■ The contents to be observed are explained, being classified by the following pictograms.

- ⓘ ... This pictogram shows a compulsory action, something that you must do.
- ⊘ ... This pictogram shows a prohibition, something that you must not do.
- ⚠ ... This pictogram shows a notice, something that you need to be alerted to.

Warnings	
⊘	Never disassemble or modify the device.
⚠	In case of an abnormality such as smoke, burning smell or abnormal sound, immediately stop using the device.
ⓘ	Immediately unplug the AC adapter from the outlet.
⊘	Do not operate with wet hands. <<A short circuit or an electric shock may occur.>>

Cautions	
⚠	Be sure to use the specified AC adapter. <<Using an unspecified AC adapter may cause a fire or an electric shock.>>
⊘	Do not store or use the device in places such as a bath or outdoors where water splashes. Also do not use it in places of high humidity, places with a lot of dust, or at high temperatures. <<A fire, an electric shock or a failure may occur.>>
⊘	Do not store in places of excessive vibrations. <<It may cause a failure.>>
ⓘ	When not in use for a long time, be sure to unplug the AC adapter from the outlet for safety. <<A fire may occur.>>
⊘	Do not apply excess force, drop nor give strong physical impact. <<A failure or injury may occur.>>
⊘	Do not use thinner, alcohol, and the like for cleaning. <<It may cause a failure.>>

=== Observe the following instructions with a product that uses a battery ===

Warnings	
ⓘ	Do not throw a battery into a fire. <<A burst, heat generation and a fire may occur.>>

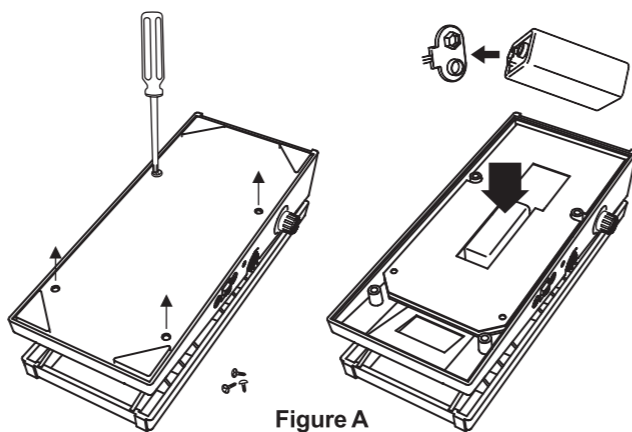
Cautions	
ⓘ	Mount a battery with its polarities +/- set correctly. <<It may cause a failure.>>
ⓘ	Remove the battery when not in use for a long time. <<Liquid leak may cause a failure.>>

CE HOSHINO GAKKI CO., LTD.  
No.22, 3-Chome, Shumoku-Cho,  
Higashi-Ku, Nagoya, Aichi, Japan



SPECIFICATIONS			
Input Impedance	400k ohms		
Output Impedance	100 ohms		
Maximum Output Level	+9.0 dBu		
Wah Range (approx.)	HIGH mode	Higher	670 - 3kHz
		Lower	300 - 1kHz
	LOW mode	Higher	450 - 2kHz
		Lower	220 - 750Hz
Power Supply	One 9 volt battery (006P) or external AC adapter (Use DC9V ⊕ ⊖)		
Required Current	15mA		
Size	202 (D) x 96 (W) x 60 - 84 (H) mm		
	8.0 (D) x 3.8 (W) x 2.4 - 3.3 (H) in.		
Weight	815g, 1.8lbs (incl. battery)		

## CHANGING THE BATTERY



- Replace the battery with a S-006P 9 volt battery ONLY.
- When opening the rear panel for battery replacement, make sure the AC adapter is not connected. When the rear panel is opened, PCB (green board on which parts are soldered) appears. Do not touch this board with a conductor such as metal or it may cause damage to the equipment or electric shock.
- 1. Remove the four screws of the rear panel with a Phillips-head screwdriver.
- 2. Connect the new battery and place it in the case. (See Figure A)
- Unplug the instrument when not in use to prolong the battery life.
- You will hear some loss of level when the battery begins to run down.

- DEUTSCH / BEDIENUNGSANLEITUNG
- FRANÇAIS / MANUEL DE L'UTILISATEUR
- ESPAÑOL / MANUAL DEL USUARIO
- ITALIANO / MANUALE D'ISTRUZIONI
- NEDERLANDS / GEBRUIKERSHANDLEIDING
- РУССКИЙ / РУКОВОДСТВО ПОЛЬЗОВАТЕЛЯ
- POLSKI / INSTRUKCJA OBSŁUGI
- PORTUGUÊS / MANUAL DO PROPRIETÁRIO



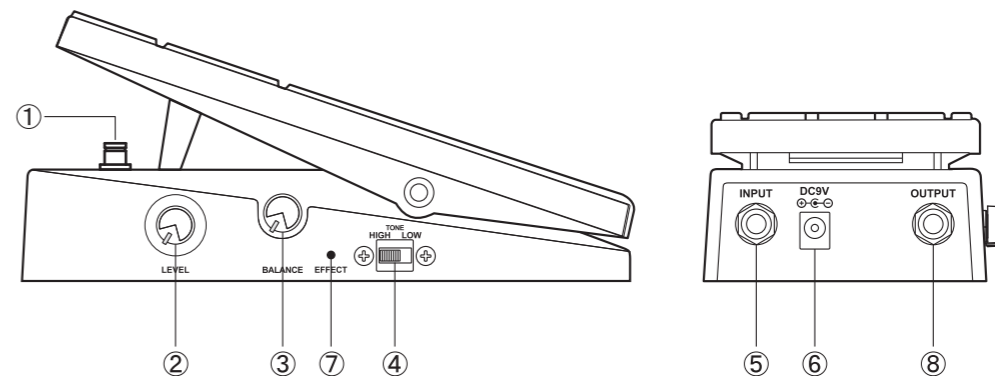
- ENGLISH / OWNER'S MANUAL  
<http://www.hoshinogakki.co.jp/pdf/ibanez/manual/en/electronics/TWP10.pdf>
- 中国語 / 用户手册  
<http://www.hoshinogakki.co.jp/pdf/ibanez/manual/cn/electronics/TWP10.pdf>



## PRIMARY FEATURE

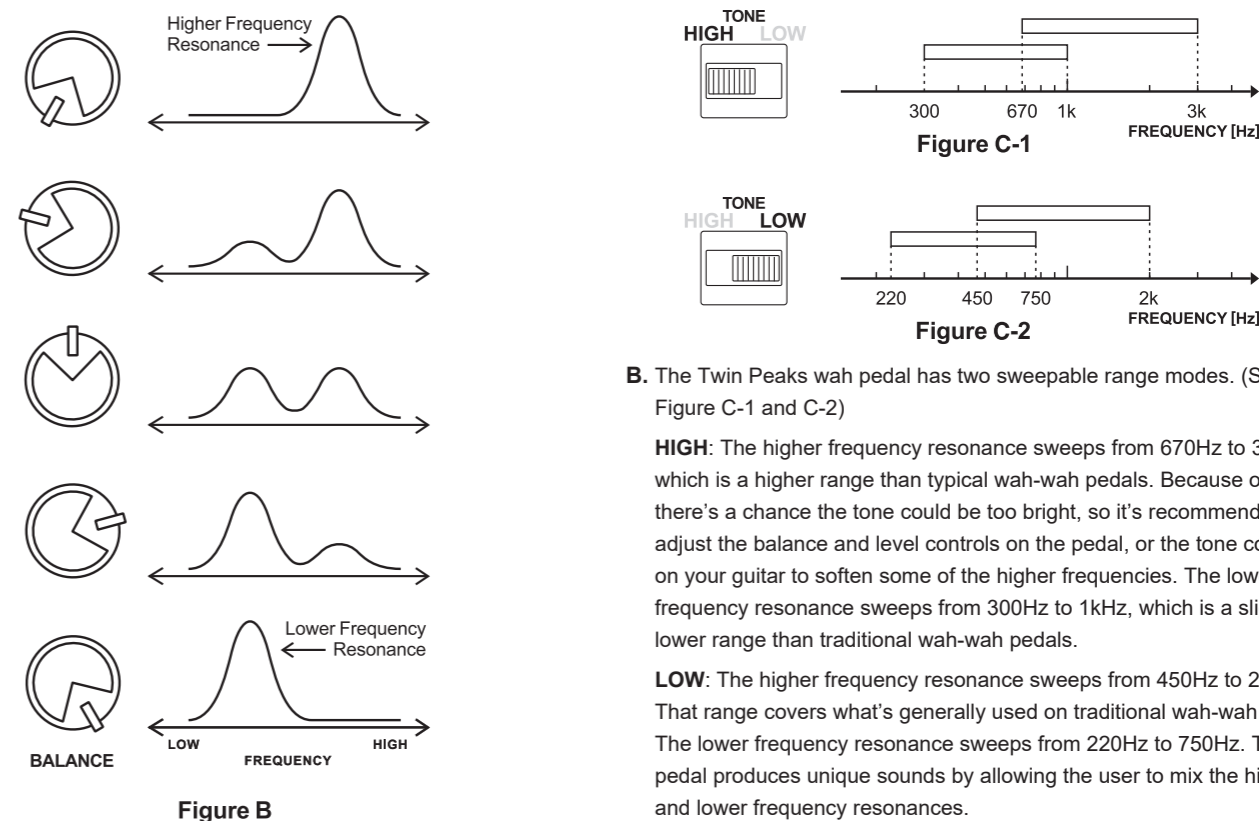
A general wah-wah tone is created by using a single inductor that has one sweepable resonance frequency point. The Twin Peaks wah pedal sweeps two resonance frequency points. This is done using dual inductor circuitry, which creates a unique wah-wah.

## OPERATION



- Footswitch:** Alternately turns the effect on or off each time it is depressed.
- Master LEVEL:** Controls overall output signal level. It gives a unity gain at 12 o'clock and a +6dB boost all the way up.
- BALANCE:** Controls balance of two resonance levels. (See TIPS A)
- TOPE:** Selects wah sweeping frequency range. (See TIPS B)
- INPUT:** Connects an instrument, such as a guitar or the output of another effect device, via a shielded cable. Plugging into this jack automatically puts the power to the unit.
- Ext. DC Input:** Be sure to use a center negative external DC power supply (AC/DC adapter etc.)  
When using this jack, the internal battery is switched off.  
This pedal allows you to use a DC9V power supply.
- Indicator:** Lights when the effect is on. It also serves as a battery check.  
If this LED is dim or does not light, replace the battery.
- OUTPUT:** Connects an amp or another effect pedal, via a shielded cable.

## TIPS



B. The Twin Peaks wah pedal has two sweepable range modes. (See Figure C-1 and C-2)

**HIGH:** The higher frequency resonance sweeps from 670Hz to 3kHz, which is a higher range than typical wah-wah pedals. Because of this, there's a chance the tone could be too bright, so it's recommended to adjust the balance and level controls on the pedal, or the tone control on your guitar to soften some of the higher frequencies. The lower frequency resonance sweeps from 300Hz to 1kHz, which is a slightly lower range than traditional wah-wah pedals.

**LOW:** The higher frequency resonance sweeps from 450Hz to 2kHz. That range covers what's generally used on traditional wah-wah pedals. The lower frequency resonance sweeps from 220Hz to 750Hz. This pedal produces unique sounds by allowing the user to mix the higher and lower frequency resonances.

A. The dual inductor circuitry creates two resonance points. The higher frequency provides a sweepable range similar to that of most traditional wah-wah pedals. The lower frequency is closer to what's generally found on modified or signature wah-wah pedals. The BALANCE control allows for mixing the ratio of the two resonance points. (See Figure B)