

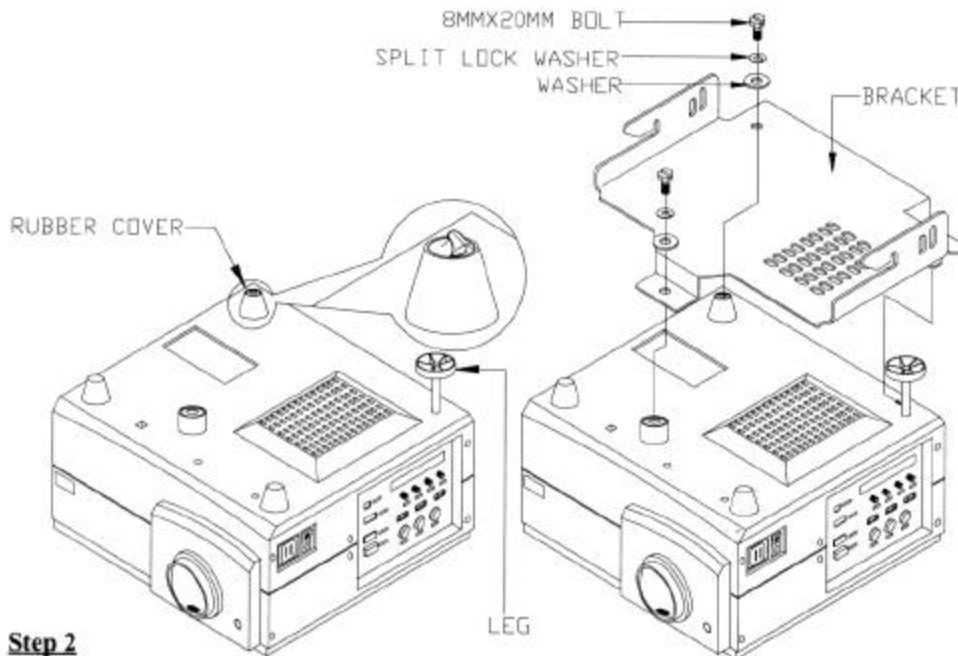
## Installation Instructions PBM-240L



*Mounts with Muscle*

### Step 1

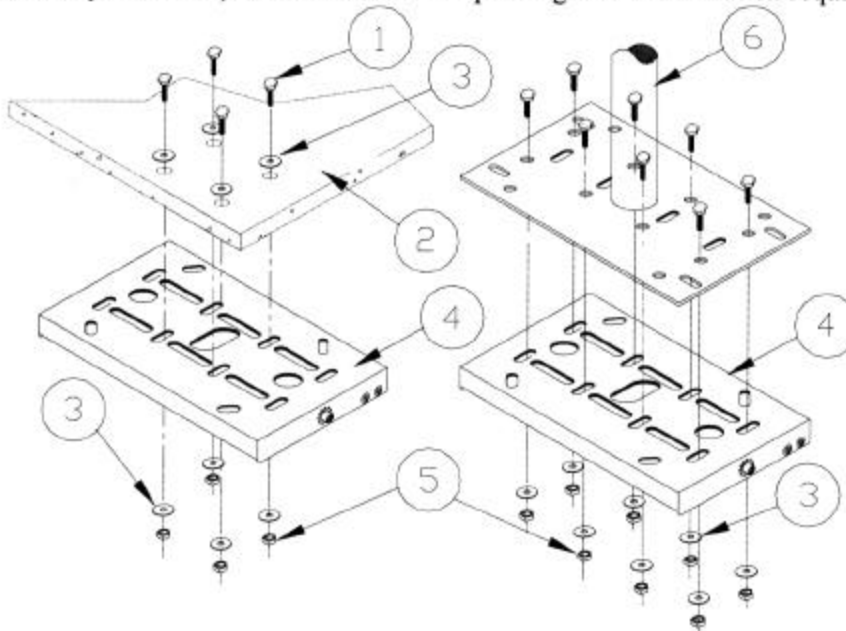
Invert the projector and place it on a flat surface. Fully extend the rear leg and remove the screw cover found on top of the left side of the projector. Align the bracket to the mounting holes and on the extended leg. The hinge pin openings must face the lens of the projector. Secure the bracket using the two (2) 8mmx20mm (2) 8mm washers and (2) 8mm split lock washers (supplied). Bring leg down when secure. (Do not over tighten!)



### Step 2

Install the base box securely to the ceiling structure in accordance with proper commercial standards. Use ( commercially available ) suitable hardware depending on the installation requirements.

1. Bolts
2. Ceiling
3. Washers
4. Base box
5. Nut bolts
6. APM-2446



**NOTE:** If ASA-2446 adjustable height suspension adapter is a part of the installation, securely install the adapter to the ceiling at this time. ( Refer to its installation instructions. )

**Progressive Marketing Products, Inc.**

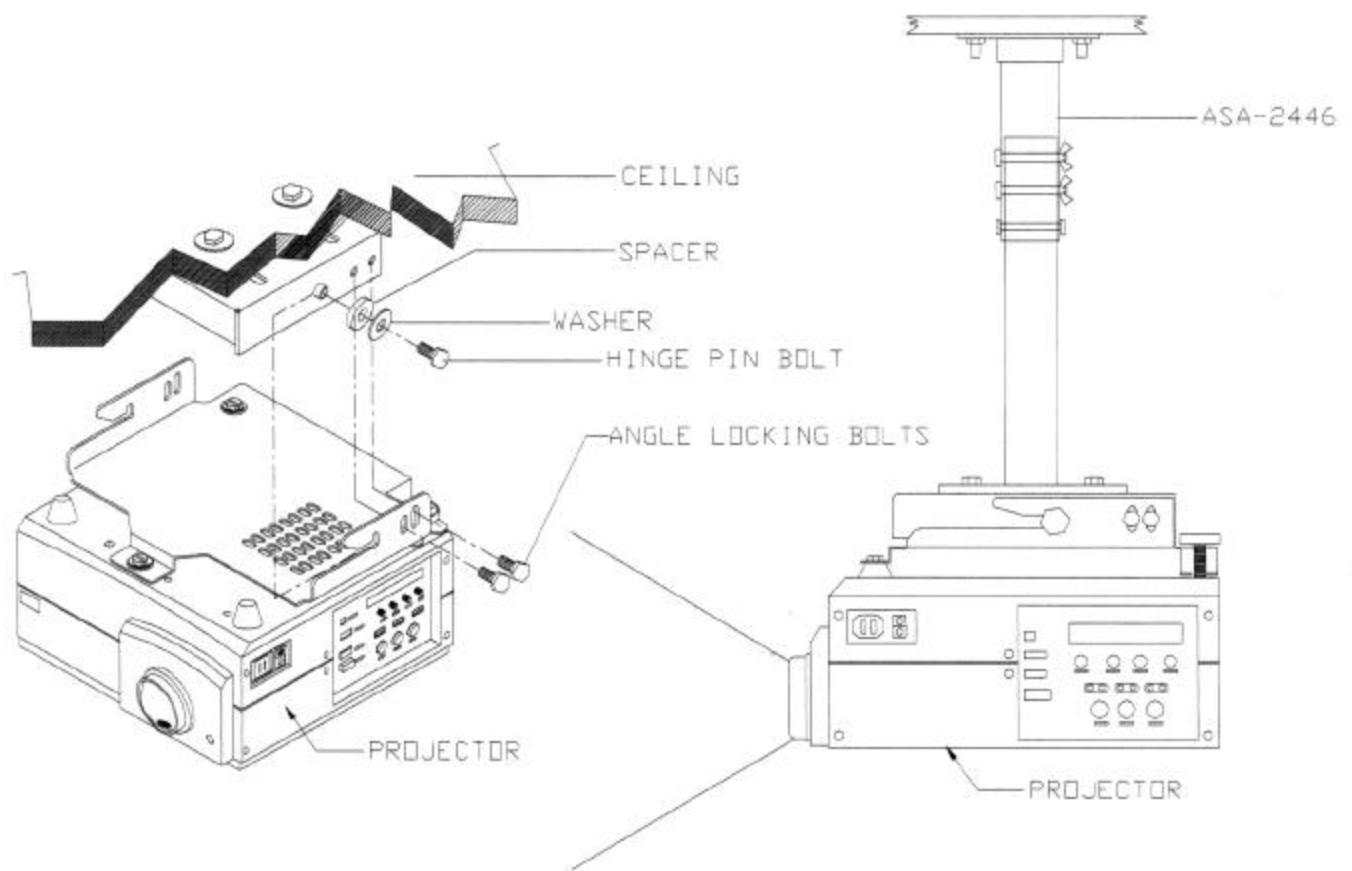
2980-A Enterprise Street, Brea, Ca. 92821 / Ph. (800) 368-9700 Fax (800) 832-4888

E-mail: [pmpi@pmpi.com](mailto:pmpi@pmpi.com) <http://www.pmpi.com>

03/98

### **Step 3**

Raise the projector with the mounting bracket attached and slip through the hinge pin slot openings on the bracket into the base box. Install the two hinge pin bolts, spacer and washers loosely and the angle locking bolt. Adjust the angle and lock it. Then tighten the hinge pins bolts. ( **Do not over tighten!** ).



### **Step 4**

Check all the hardware for proper tightness and security.

**NOTE:** Projector can be removed quickly for portable use by; 1). Remove the knurl knob screw. 2). Hold the projector with two hands and slide backwards to detach the sleeves from keyhole. Reverse the process for a quick reinstall.

### **WARNING!**

**The ceiling should be capable of supporting a weight of at least five times the projector or monitor weight. If it cannot, the ceiling must be reinforced. Proper installation procedure by qualified personnel as outline. In the installation instructions must be adhered to. Failure to do so could result in serious personal injury.**

For further information or ordering assistance contact us at the address shown on the front of this page.