



## INSTALLATION MANUAL

---

PLASMA DISPLAY MOUNT MODEL

---

# FPA Rack Mount Adapter

**Premier Mounts**

Supplying the world with superior mounts

A DIVISION OF  
PROGRESSIVE MARKETING PRODUCTS INC.

---

3130 E. Miraloma Ave. Anaheim, CA 92806 Phone: 800 368-9700 Fax: 800 832-4888

VISIT US AT [WWW.MOUNTS.COM](http://WWW.MOUNTS.COM)

# FPA RACK MOUNT ADAPTER ASSEMBLY

## Step 1

Invert the FPA rack mount bracket and place on a flat surface. Take the two (2) side brackets and secure them to the FPA rack mount using the Eight (8) 10/32" x 5/8" phillips head screws and eight (8) flat washers (supplied). (Figure 1)

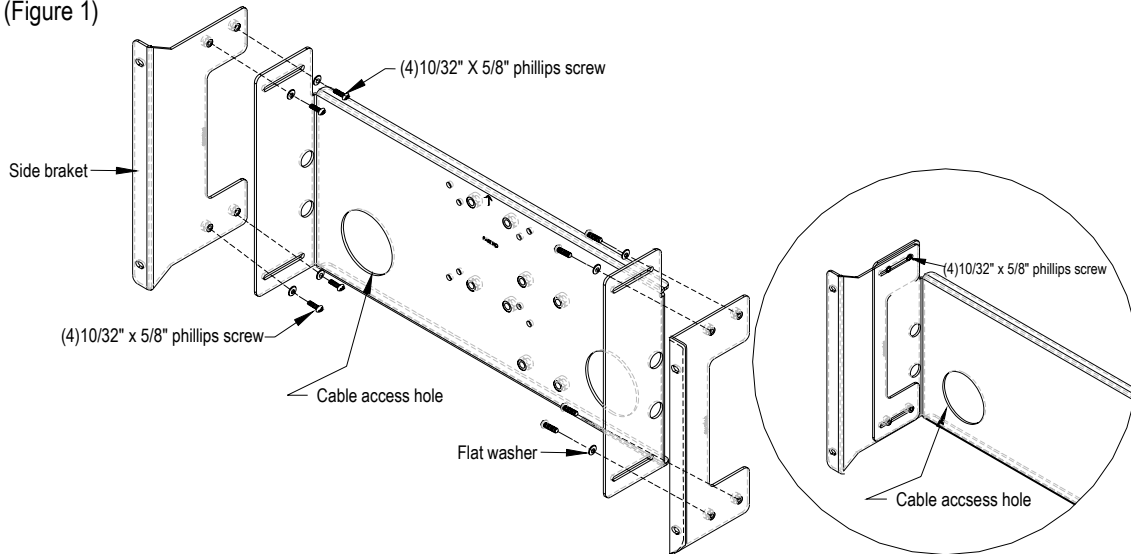


Figure 1

## Step 2

Secure the fully assembled rack mount to your cabinet using the four (4) 10/32" x 5/8" phillips head screws and four (4) flat washers (supplied). (Figure 2)

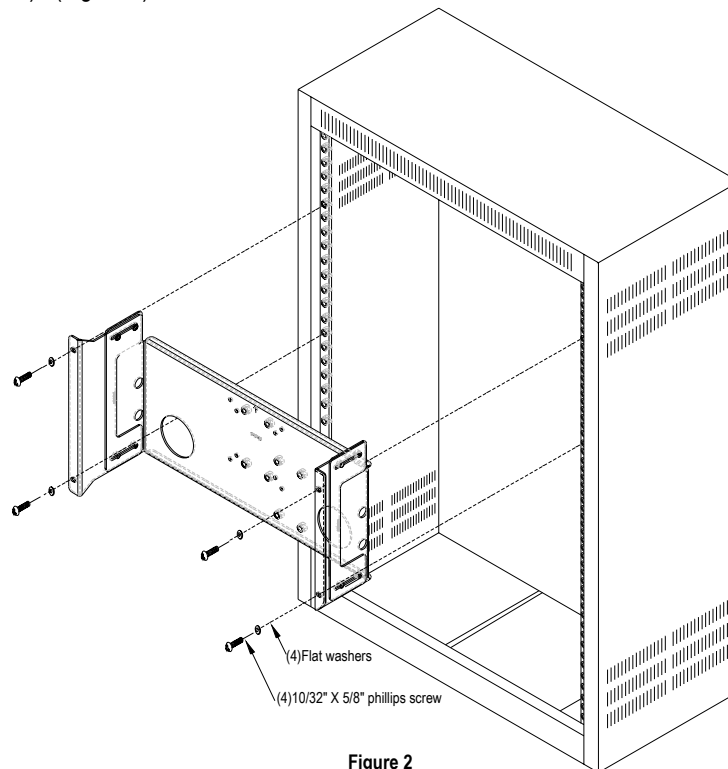
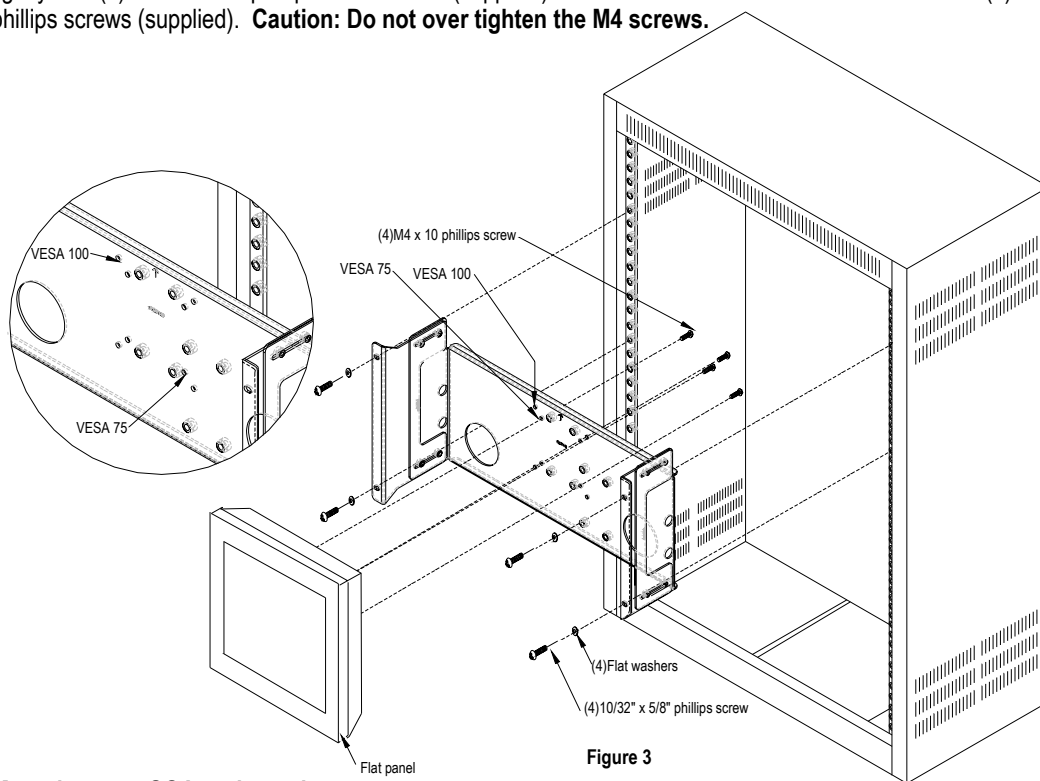


Figure 2

## FLAT PANEL, SOA & PRP / PRT ASSEMBLY TO RACK MOUNT

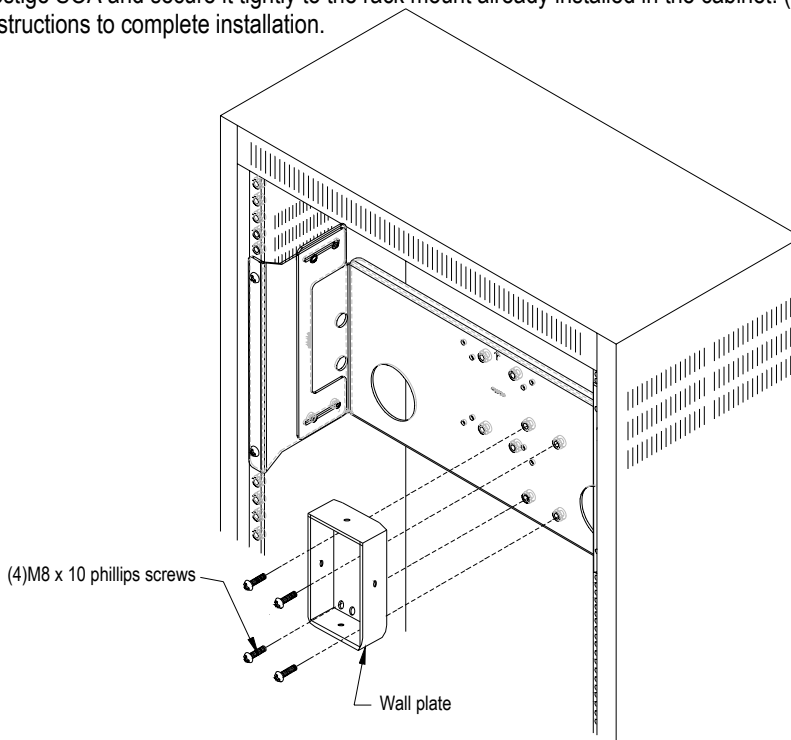
### **Mounting your flat panel to the rack mount ( flat only )**

Secure your flat panel to the rack mount from the back side using the VESA 75 or 100 mounting points, securing tightly with (4) four M4X10 phillips head screws (supplied). Then secure rack mount to the cabinet with (4) 10/32" x 5/8" phillips screws (supplied). **Caution: Do not over tighten the M4 screws.**



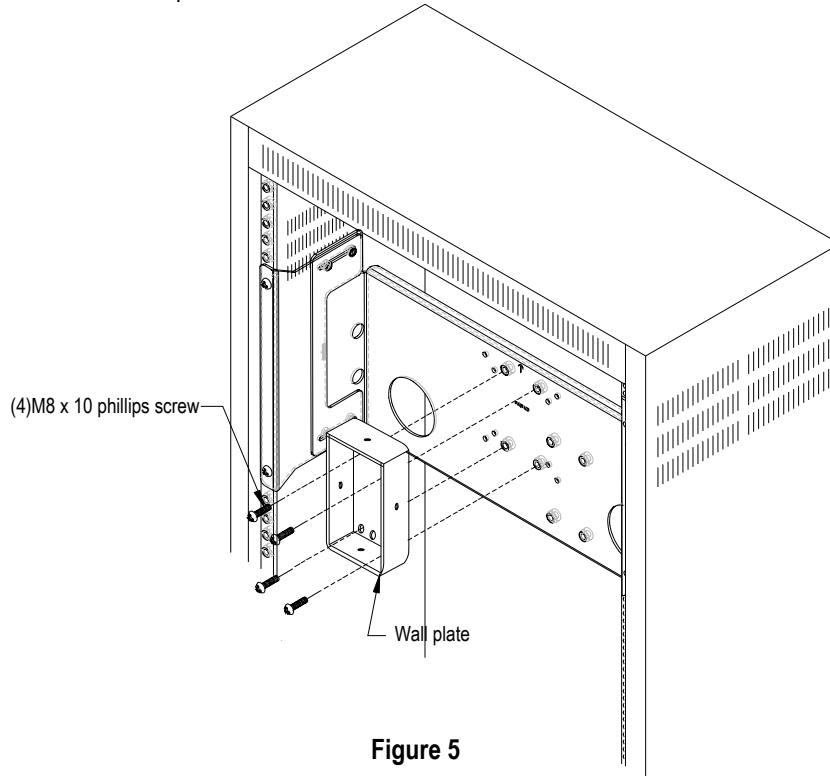
### **Mounting your SOA to the rack mount**

Using the four (4) M8 x 10 phillips head screws (supplied) use the offset series of mounting points. Take the wall plate from the prestige SOA and secure it tightly to the rack mount already installed in the cabinet. (Figure 3) Follow SOA mounting instructions to complete installation.



**Mounting your PRP / PRT to the rack mount**

Using the four (4) M8 x 10 phillips head screws (supplied) take the wall plate from the Prestige PRT / PRP and secure it tightly to the rack mount already installed in the cabinet. Use the center mounting points. (Figure 5) Follow the PRT / PRP instructions to complete installation.



**Figure 5**