



PBL Series Universal Projector Mounts

The PBL Universal Mounts fit most projectors that weigh less than 25 lbs. They feature four double-jointed support arms (patent pending) that allow flexible positioning to reach any mounting point.

This unique design can mate with an adjustable height-suspension adapter (APL-2647*) to extend the length of the channel up to 46" from the ceiling. Cables can be routed inside channel for a neat appearance. Plus, it's backed by our industry-leading Lifetime Guarantee.

Features:

- Fits projectors under 25 lbs
- +/-20° tilt and roll; 360° Rotation
- Mounts to walls and traditional vaulted/cathedral ceilings
- Adjustable-height channel extends from 9"-12.5"
- Low-profile design (2.5" from ceiling)
- Cable routing inside channel
- Available in three colors
- Lifetime Guarantee



PBL Universal Mounts fit projectors up to 25 lbs



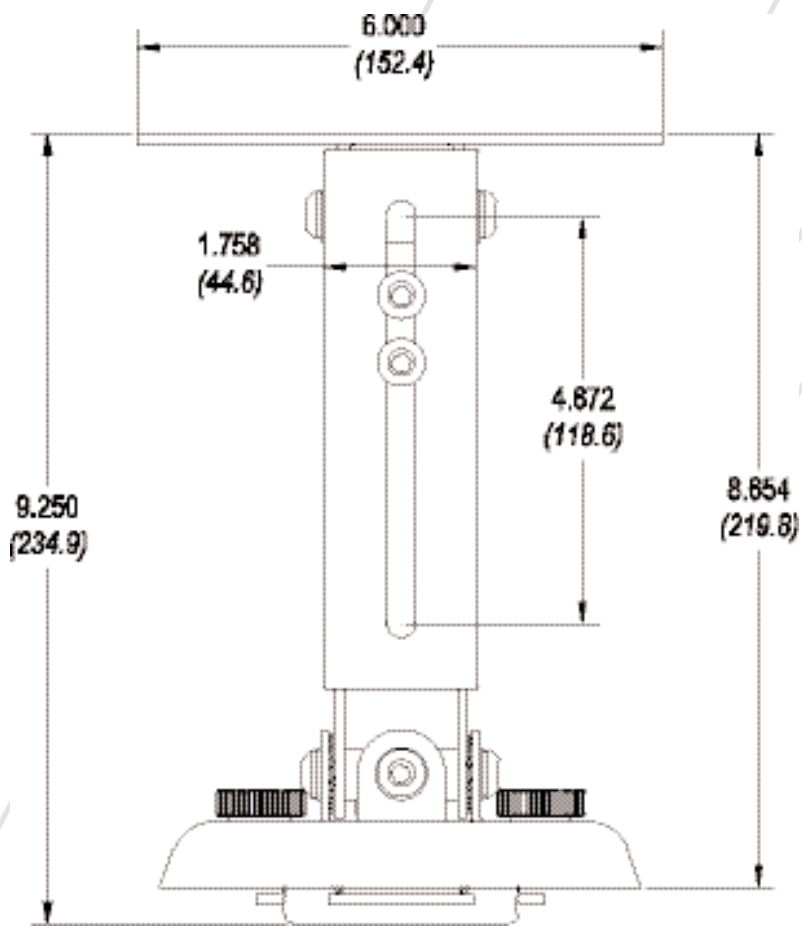
Remove height-channel for low profile look

Rotate projector 360°

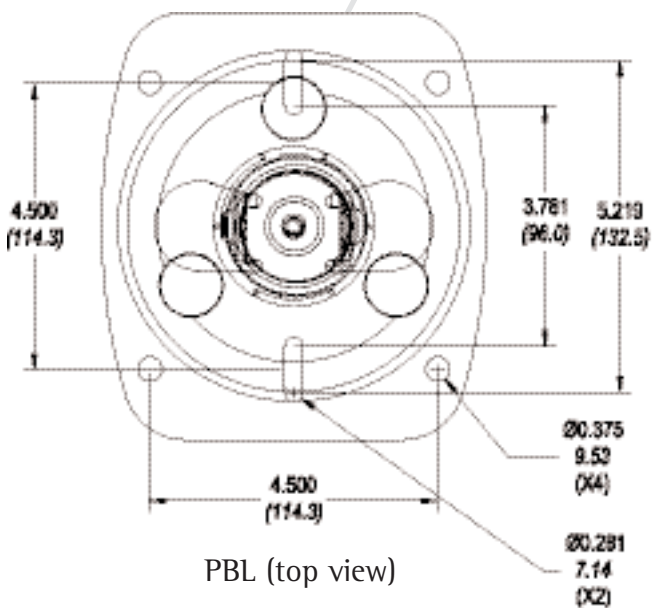


*APL-2647 height-adapter not included

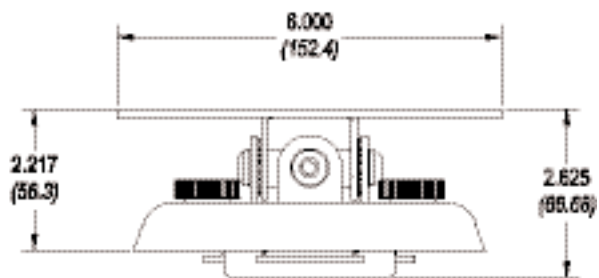
Model	Max Wt.	Color	UPC	Box Dimensions	MSRP
PBL-UMP	25 LBS	Silver	829973203160	7.5x15x5	\$179.99
PBL-UMS	25 LBS	Dark Gray	829973203023	7.5x15x5	\$179.99
PBL-UMW	25 LBS	White	829973203030	7.5x15x5	\$179.99



PBL w/ height-channel (side view)



PBL (top view)



PBL w/out height-channel (side view)

PREMIER MOUNTS™
 The original holding company
 www.mounts.com • 800.368.9700

*Measurements are shown in inches and millimeters (mm)

North America
 800.368.9700
 800.832.4888 (Fax)

Europe
 44.24.76.614700
 44.24.76.614710 (Fax)

Asia
 81.27.371.6998
 81.27.371.6998 (Fax)

Other Locations
 001.714.632.7100
 001.714.632.1044 (Fax)