

# MMX 2



## Digital Multimedia / Gaming Headset

Order # 485.896

### Features

- Closed headphone
- Excellent ambient noise attenuation
- Flexible headband for optimum fit
- Cardioid condenser microphone (back electret)
- Noise-cancelling microphone
- Single-sided cable
- Supplied with USB converter with volume control and microphone mute function



### Description

The MMX 2 headset is ideal for gaming, multimedia applications as well as Voice over IP and provides a unique sound. The noise-cancelling microphone ensures a clear and precise voice transmission even in noisy surroundings. The microphone can be muted and the volume can easily be controlled via the supplied USB converter. The supplied USB converter provides a USB plug and can easily be connected to the USB port of any computer or laptop operating with one of the following operating systems.

**PC:** Windows® 98 SE (Second Edition), ME, 2000, XP, Vista

**Apple:** MAC OS 9 and OS X

The MMX 2 also provides mini jack plugs to connect to a PC without using the USB converter.

### Spare Parts

EDT 231 V Ear pads, velours, circumaural, black ..... Order # 954.249

### Technical Specifications

#### Headphone

Transducer type .....	Dynamic
Operating principle .....	Closed
Frequency response .....	18 - 22,000 Hz
Nominal SPL .....	110 dB
T.H.D. ....	< 0.2%
Sound coupling to the ear .....	Circumaural
Nominal impedance .....	32 Ω per system
Nominal headband pressure .....	2 N
Weight incl. microphone .....	155 g
Cable length and type .....	2.5 m, straight cable
Connection .....	Mini stereo jack plug (3,5 mm)

#### Germany

beyerdynamic GmbH & Co. KG  
Theresienstr. 8  
D-74072 Heilbronn  
Tel. +49 (0)71 31 / 6 17-0  
Fax +49 (0)71 31 / 617-224  
E-mail: info@beyerdynamic.de  
Internet: www.beyerdynamic.de

#### United States

beyerdynamic Inc. USA  
56 Central Ave.  
Farmingdale, NY 11735  
Tel. +1 (631) 293-3200  
Fax +1 (631) 293-3288  
E-mail: salesUSA@beyerdynamic.com  
Internet: www.beyerdynamic.com

#### Great Britain

beyerdynamic U.K. Ltd.  
17 Albert Drive  
Burgess Hill RH15 9TN  
Tel. +44 (0)1444 / 258 258  
Fax +44 (0)1444 / 258 444  
E-mail: sales@beyerdynamic.co.uk  
Internet: www.beyerdynamic.co.uk

## Technical Specifications

### Microphone

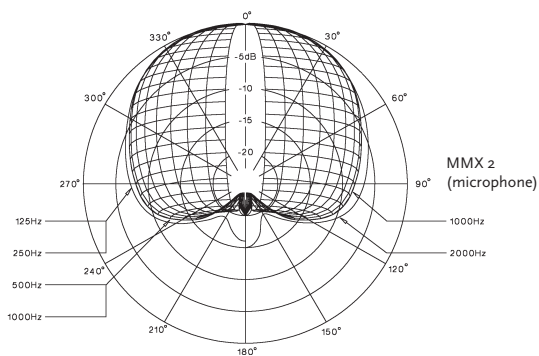
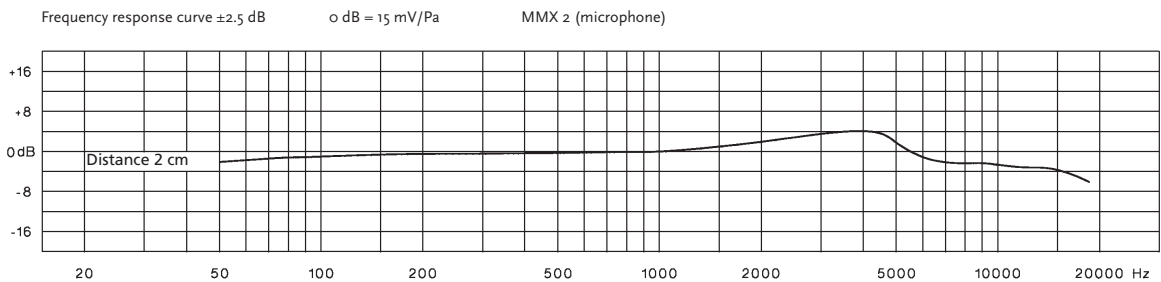
Transducer type	Condenser (back electret)
Operating principle	Pressure gradient
Polar pattern	Cardioid
Power supply	AB powering
Supply voltage	1.5 - 9 V
Current consumption	< 0.5 mA
Nominal impedance	approx. 1.5 k $\Omega$
Open circuit voltage at f = 1 kHz	15 mV / Pa
Frequency response	50 - 18,000 Hz
T.H.D.	0.2% at f = 1 kHz
Max. SPL	120 dB
Microphone output	unbalanced
<b>Dimensions</b>	
Length mic boom	approx. 150 mm
Capsule diameter	12.5 mm
Connection	Mini stereo jack plug (3.5 mm) Ring and tip: AF, shaft: ground

### USB converter

<b>Connections</b>	
PC/MAC	1 x USB Type A (M); cable length 1.5 m
Audio	2 x stereo jack sockets (3.5 mm)
Operating system	Windows®, MAC
Operating temperature	0 °C - +60 °C
Storage temperature	-20 °C - +60 °C
Dimensions L x W x H	76 x 30 x 16 mm
Weight with cable	45 g

## Frequency Response & Polar Pattern

This frequency response curve (measuring tolerance  $\pm 2.5$  dB) and polar pattern correspond to a typical production sample for this microphone.



### Wiring Diagram

Positive pressure produces positive voltage on the ring and top of the jack plug.

