



GENERAL INFORMATION

The Irideon FPZ builds on the beauty and punch of the Source Four® beam and puts it into a fixture designed to work in any architectural environment. With built-in zoom optics, three-plane shutters and a rotating barrel, the FPZ can create a sharp or soft focused light in any shape you need. And when used with either glass or metal gobos, logos and designs look sharp and distinctive.

With the addition of local level control as well as individual DMX addressing, the Irideon FPZ can do it all, and look great while doing it.

VENUES

- Museums
- Retail stores
- Restaurants
- Hospitality/Lobbies
- Theaters

FEATURES

- Rugged, die-cast fixture body
- 25-50 degree zoom optics
- Uniquely efficient optical system
- Long-life dimmable white LED sources
- Three-plane shutters
- Integrated media holder
- Built-in intensity trim and DMX control
- Dimming to less than 1% of maximum output
- Available in black, white and silver
  - Custom paint colors available; contact ETC

GENERAL

- ETL listed to the following standards
  - Track mount: UL/cUL1574 and CAN/CSA C22.2 No. 9.0
  - Portable: UL/cUL153

ORDERING INFORMATION

MODEL	DESCRIPTION
IRFPZ-30/80-120T	Irideon FPZ 3000K, DataTrack (black)
IRFPZ-30/90-120T	Irideon FPZ Gallery 3000K, DataTrack (90+ CRI) (black)
IRFPZ-40/80-120T	Irideon FPZ 4000K, DataTrack (black)
IRFPZ-50/80-120T	Irideon FPZ 5000K, DataTrack (black)
IRFPZ-30/80-120P	Irideon FPZ 3000K, Portable (black)
IRFPZ-30/90-120P	Irideon FPZ Gallery 3000K, Portable (90+ CRI) (black)
IRFPZ-40/80-120P	Irideon FPZ 4000K, Portable (black)
IRFPZ-50/80-120P	Irideon FPZ 5000K, Portable (black)

COLOR OPTIONS	
-1	White
-5	Silver
-8	Custom Color

Note: To designate colors other than black, add the options above to the model number. For example, an Irideon FPZ 3000K Silver fixture would be IRFPZ-30/80-120T-5.



---

## SPECIFICATIONS

### PHYSICAL

- A380 grade, die-cast aluminum construction
- Fine-texture, high-temperature powder-coated paint
- Steel yoke
- Rotating shutter assembly  $\pm 175^\circ$
- E-size gobo pattern holder (included)
  - 37.5mm with a 25.4mm image area
- Locking, A301 grade stainless steel, full hard shutters in a tri-plane assembly, 0.40mm
- Tool-free tilt and beam adjustment
- High-impact resistant, thermally insulated knobs and shutter handles
- Captive accessory slot for pattern holder (included)
- Magnetically held media holder accepts gel and dichroics up to 1.75mm thick
- IP20 rated
- Track mount version:
  - Compatible and ETL-listed for ETC DataTrack (EUTRAC) brand track
  - DataTrack two-circuit with (120V) with data and Eutrak three-circuit (230V) with data
  - Color matched track adapter with fully integrated driver included
- Portable version:
  - Color-matching c-clamp for up to 2" OD pipe (portable version only)
  - DMX in and thru via RJ45 ports on driver box
  - 6' power cable with NEMA 5-15P connector

### ELECTRICAL

- Power at full intensity: 20W typical, 24W Max
- DMX/RDM built in
  - Up to 32 DMX devices per data run
  - Up to 32 RDM devices per data run
  - DataTrack only supports 20 RDM devices per data run
- Input voltage options:
  - 100-120VAC 50/60 hz
  - 230-240VAC 50/60 Hz
- Inrush (first half-cycle)
  - 120V: 11A
  - 240V: 24A

### SOURCE

- Cree LED (Available in 80+ and 90+ CRI)
  - Irideon FPZ 3000K: 80+ CRI
  - Irideon FPZ 3000K Gallery: 90+ CRI
  - Irideon FPZ 4000K: 80+ CRI
  - Irideon FPZ 5000K: 80+ CRI
- 35,000 hours L70 lumen maintenance

### OPTICAL

- Built-in zoom optics (25-50 degree beam-angle)
- Projector-quality, high-contrast lenses
- Beam edge continually adjustable hard to soft

### THERMAL

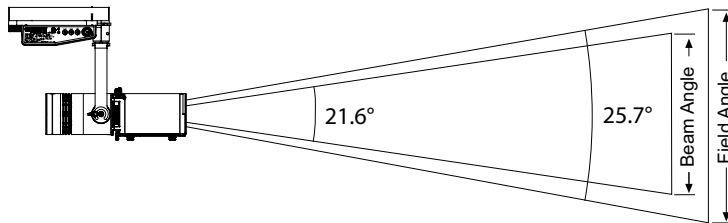
- Ambient Operating Temperature Range:
- 0°C to 40°C (32°F to 104°F)

PHOTOMETRY

Narrow Focus

Mode	Focus	Candela	Field Lumens	Beam Lumens	Power Consumption	Efficacy (lpw)
3000K / 90 CRI	Narrow	6,785	700	564	20	35.0
3000K / 80 CRI	Narrow	7,543	808	665	20	40.4
4000K / 80 CRI	Narrow	8,964	957	783	20	47.9
5000K / 80 CRI	Narrow	9,117	929	688	20	46.5

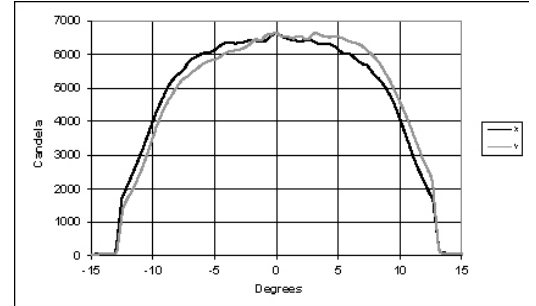
Metric conversions: For meters, multiply feet by 0.3048  
For lux, multiply footcandles by 10.76



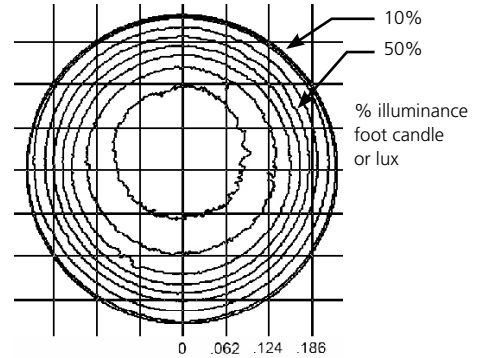
Throw Distance (d)	10ft	15ft	20ft	30ft	86.9ft
	3.0m	4.6m	6.1m	9.1m	26.5m
Field Diameter	4.6ft	6.8ft	9.1ft	13.7ft	-
	1.4m	2.1m	2.8m	4.2m	-
Illuminance (fc)	75	34	19	8	1
Illuminance (lux)	812	361	203	90	10.76

For field diameter at any distance, multiply distance by 0.456  
For beam diameter at any distance, multiply by 0.382

Candela Plot



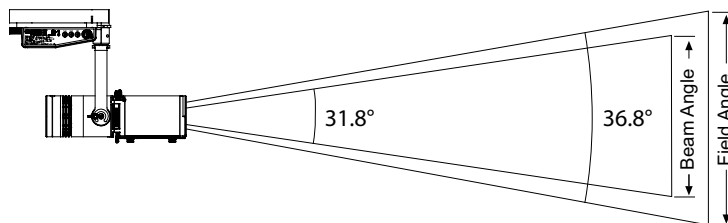
Iso-Illuminance Diagram (Flat Surface Distribution)



Mid Focus

Mode	Focus	Candela	Field Lumens	Beam Lumens	Power Consumption	Efficacy (lpw)
3000K / 90 CRI	Mid	3,487	721	566	20	36.1
3000K / 80 CRI	Mid	3,915	836	669	20	41.8
4000K / 80 CRI	Mid	4,658	988	788	20	49.4
5000K / 80 CRI	Mid	4,619	964	766	20	48.2

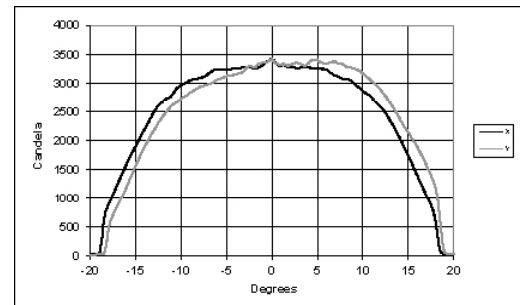
Metric Conversions: For meters, multiply feet by 0.3048  
For lux, multiply footcandles by 10.76



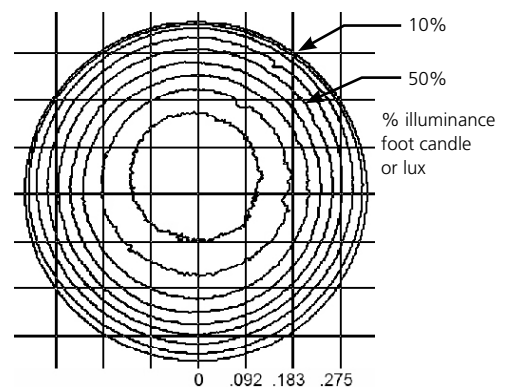
Throw Distance (d)	10ft	15ft	20ft	30ft	62.6ft
	3.0m	4.6m	6.1m	9.1m	19.1m
Field Diameter	6.7ft	10.0ft	13.3ft	20.0ft	-
	2.0m	3.0m	4.1m	6.1m	-
Illuminance (fc)	39	17	10	4	1
Illuminance (lux)	421	187	105	47	10.76

For field diameter at any distance, multiply distance by 0.665  
For beam diameter at any distance, multiply by 0.570

Candela Plot



Iso-Illuminance Diagram (Flat Surface Distribution)

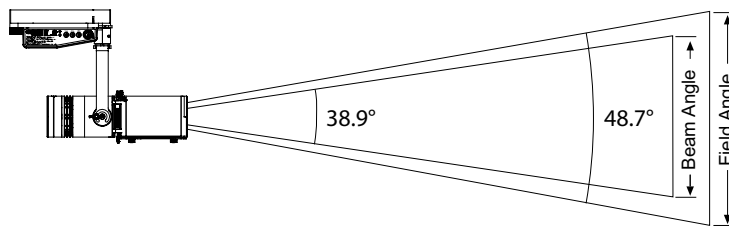


PHOTOMETRY

Wide Focus

Mode	Focus	Candela	Field Lumens	Beam Lumens	Power Consumption	Efficacy (lpw)
3000K / 90 CRI	Wide	2,184	682	511	20	34.1
3000K / 80 CRI	Wide	2,413	786	596	20	39.3
4000K / 80 CRI	Wide	2,797	923	691	20	46.2
5000K / 80 CRI	Wide	2,753	904	678	20	45.2

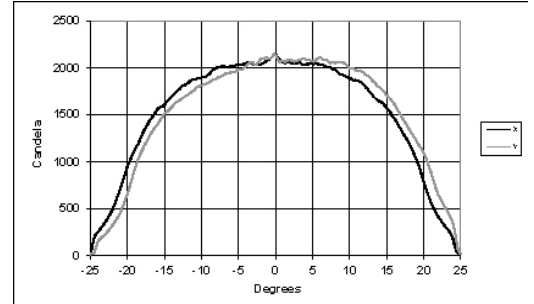
Metric conversions: For meters, multiply feet by 0.3048  
 For lux, multiply footcandles by 10.76



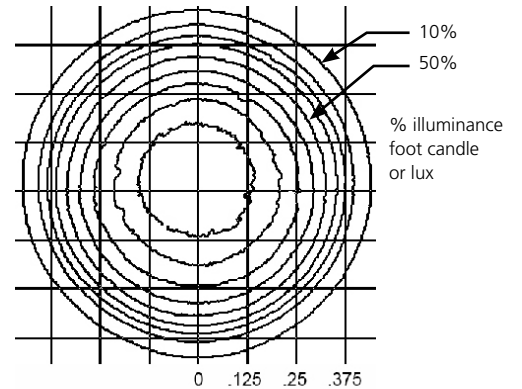
Throw Distance (d)	10ft	15ft	20ft	30ft	49.1ft
	3.0m	4.6m	6.1m	9.1m	15.0m
Field Diameter	9.1ft	13.6ft	18.1ft	27.2ft	-
	2.8m	4.1m	5.5m	8.3m	-
Illuminance (fc)	24	11	6	3	1
Illuminance (lux)	260	115	65	29	10.76

For field diameter at any distance, multiply distance by 0.905  
 For beam diameter at any distance, multiply by 0.706

Candela Plot



Iso-Illuminance Diagram (Flat Surface Distribution)



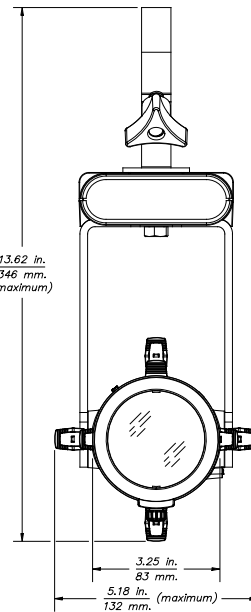
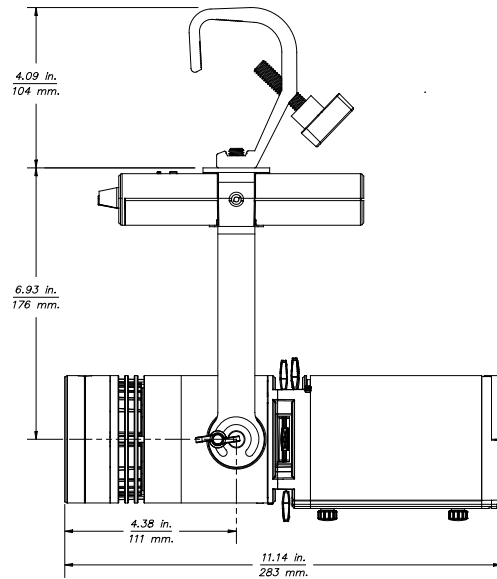
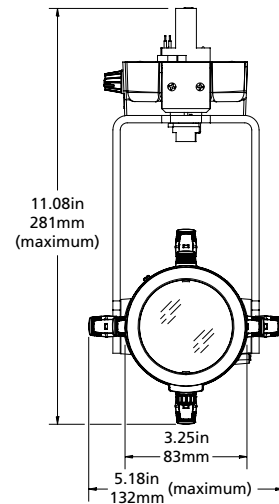
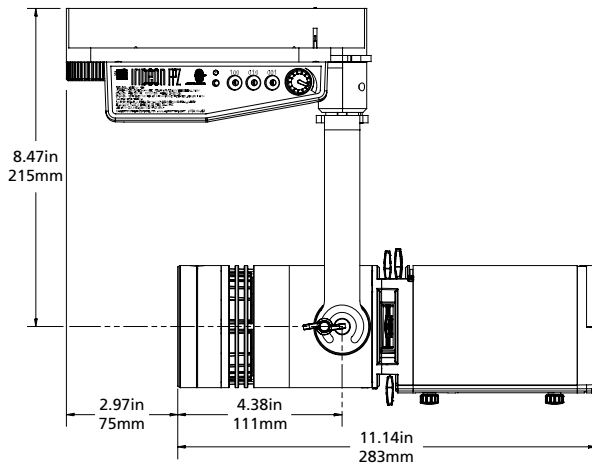
PHYSICAL

FPZ Dimensions

	HEIGHT		WIDTH		DEPTH	
	in	mm	in	mm	in	mm
Track Mount	11.08	281	5.18	132	14.11	358
Portable	13.62	346	5.18	132	11.14	283

FPZ Weights

	WEIGHT		SHIPPING WEIGHT	
	lbs.	kgs	lbs	kgs
Track Mount	4.25	1.93	6.25	2.83
Portable	5.62	2.55	7.41	3.36



Corporate Headquarters • 3031 Pleasant View Rd, PO Box 620979, Middleton WI 53562 0979 USA • +1 608 831 4116

London, UK • Unit 26-28, Victoria Industrial Estate, Victoria Road, London W3 6UU, UK • +44 (0) 20 8896 1000

Rome, IT • Via Pieve Torina, 48, 00156 Rome, Italy • +39 (06) 32 111 683

Holzkirchen, DE • Ohmstrasse 3, 83607 Holzkirchen, Germany • +49 (80 24) 47 00-0

Hong Kong • Room 1801, 18/F, Tower 1 Phase 1, Enterprise Square, 9 Sheung Yuet Road, Kowloon Bay, Kowloon, Hong Kong • +852 2799 1220

Web • etconnect.com • Copyright©2017 ETC. All Rights Reserved. All product information and specifications subject to change. 7191L1001 Rev C 01/17