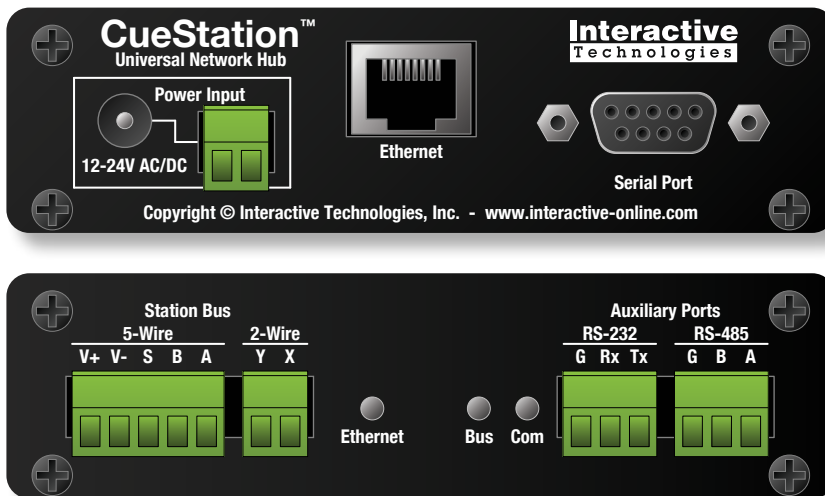


Overview

The CueStation Hub is used to power and communicate with one or more digital CueStation button stations.

The CueStation Hub communicates with the host controller via RS-232 or Ethernet (optional) and the Hub drives both 2-wire and 5-wire CueStation networks.

Although the CueStation Hub is designed to integrate directly with the CueServer family of lighting control processors, it can also be used for custom projects that do not involve CueServer. The communication protocols are freely available from our web site.




Features

- Digital CueStation Controller
- Communicates with host via RS-232 or optional Ethernet
- Drives both 2-Wire and 5-Wire CueStation networks, which can be used simultaneously
- Can drive up to (50) 5-wire stations and (10) 2-wire stations
- Available in low-cost version without Ethernet
- Available in DIN-Rail version

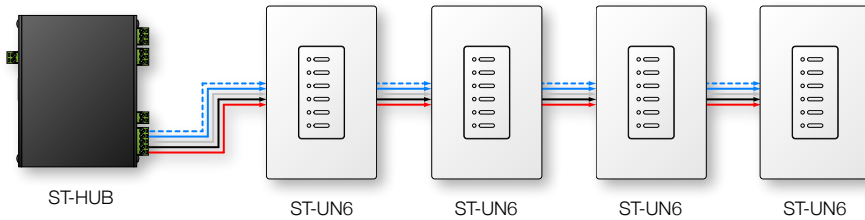
Wiring

- The 2-Wire CueStation Bus uses a 2-conductor cable to carry both power and data to and from each station location. The network is both topology free (meaning a random combination of “star” and “daisy-chain” connections may be used) and polarity free (meaning it does not matter if the conductors are reversed at any station).
- The 5-Wire CueStation Bus uses a 5-conductor multi-cable to carry both power and data to and from each station location.

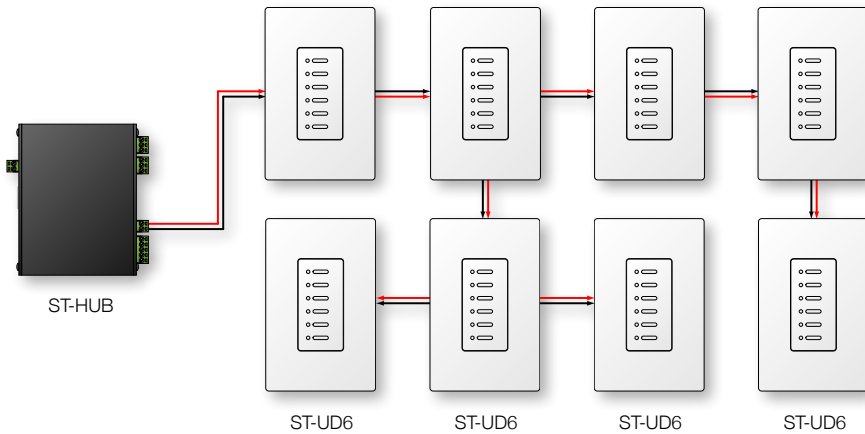
 **For more information about 2-Wire or 5-Wire station configuration and wiring, please refer to 2-Wire or 5-Wire CueStation Specification Sheet document.**

Ordering

5-Wire Station Bus Wiring Example



2-Wire Station Bus Wiring Example



ST-HUB

CueStation Hub with RS-232 interface

ST-HUBD

CueStation Hub with RS-232 interface, in DIN Rail enclosure

ST-HUB-EN

CueStation Hub with RS-232 and Ethernet interfaces

ST-HUBD-EN

CueStation Hub with RS-232 and Ethernet interfaces, in DIN Rail enclosure

Specifications

Feature	Detail	Description
Power	Input	12-30VDC (2.1 mm DC Input Jack) (24VDC recommended)
Physical	Width	4.29" (109 mm) without mounting flanges 5.51" (140 mm) with mounting flanges
	Length	3.43" (87 mm)
	Height	1.18" (30 mm)
	Weight	0.7 lbs. (0.3 kg)
Environmental	Operating Temperature	-40° to 158° F (-40° to 70° C)
	Storage Temperature	-40° to 176° F (-40° to 80° C)
	Humidity	5 to 95%, non-condensing
	Altitude	10,000 feet maximum

Distributor:


Techni-Lux
www.techni-lux.com

Phone: 407-857-8770

Fax: 407-857-8771

Email: sales@techni-lux.com