



A710-MSA

Mic Stand Adapter for MXA710 Microphones

User guide for the Shure A710-MSA mic stand adapter for MXA710 microphones. Mount to a mic stand for temporary installations horizontally or vertically.

Version: 3.1 (2023-C)

Table of Contents

A710-MSA Mic Stand Adapter for MXA710 Microphones	Attaching to a Microphone Stand	3
MXA710 Mic Stand Adapter	IMPORTANT SAFETY INSTRUCTIONS	3

A710-MSA Mic Stand Adapter for MXA710 Microphones

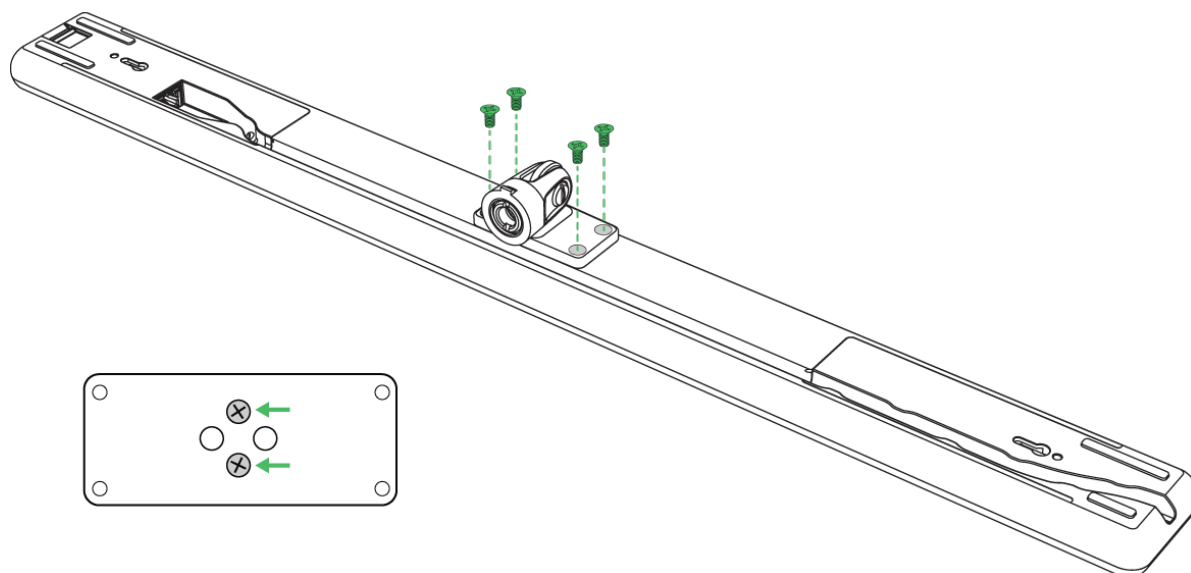
MXA710 Mic Stand Adapter

The A710-MSA mic stand adapter enables the MXA710 Linear Array microphone to be securely mounted to any microphone stand with a 5/8 inch or 3/8 inch (with included adapter) male thread. It attaches directly to the integrated VESA holes on the back of the array, and you can position the mic horizontally or vertically.

Attaching to a Microphone Stand

Attach the mount using the 4 included screws as shown. Use the brass adapter for smaller microphone stands. To rotate the mount's position, unscrew the 2 screws on the bottom of the mount, rotate the top part, and reinstall the screws.

Note: The stand must support the weight of the microphone and not tip over when tilted to a 15° angle.



IMPORTANT SAFETY INSTRUCTIONS

1. READ these instructions.
2. KEEP these instructions.
3. HEED all warnings.
4. FOLLOW all instructions.
5. DO NOT use this apparatus near water.
6. CLEAN ONLY with dry cloth.

7. DO NOT block any ventilation openings. Allow sufficient distances for adequate ventilation and install in accordance with the manufacturer's instructions.
8. DO NOT install near any heat sources such as open flames, radiators, heat registers, stoves, or other apparatus (including amplifiers) that produce heat. Do not place any open flame sources on the product.
9. DO NOT defeat the safety purpose of the polarized or grounding type plug. A polarized plug has two blades with one wider than the other. A grounding type plug has two blades and a third grounding prong. The wider blade or the third prong are provided for your safety. If the provided plug does not fit into your outlet, consult an electrician for replacement of the obsolete outlet.
10. PROTECT the power cord from being walked on or pinched, particularly at plugs, convenience receptacles, and the point where they exit from the apparatus.
11. ONLY USE attachments/accessories specified by the manufacturer.
12. USE only with a cart, stand, tripod, bracket, or table specified by the manufacturer, or sold with the apparatus. When a cart is used, use caution when moving the cart/apparatus combination to avoid injury from tip-over.



13. UNPLUG this apparatus during lightning storms or when unused for long periods of time.
14. REFER all servicing to qualified service personnel. Servicing is required when the apparatus has been damaged in any way, such as power supply cord or plug is damaged, liquid has been spilled or objects have fallen into the apparatus, the apparatus has been exposed to rain or moisture, does not operate normally, or has been dropped.
15. DO NOT expose the apparatus to dripping and splashing. DO NOT put objects filled with liquids, such as vases, on the apparatus.
16. The MAINS plug or an appliance coupler shall remain readily operable.
17. The airborne noise of the Apparatus does not exceed 70dB (A).
18. Apparatus with CLASS I construction shall be connected to a MAINS socket outlet with a protective earthing connection.
19. To reduce the risk of fire or electric shock, do not expose this apparatus to rain or moisture.
20. Do not attempt to modify this product. Doing so could result in personal injury and/or product failure.
21. Operate this product within its specified operating temperature range.

	<p>This symbol indicates that dangerous voltage constituting a risk of electric shock is present within this unit.</p>
	<p>This symbol indicates that there are important operating and maintenance instructions in the literature accompanying this unit.</p>