



A710-HOUSING

Mechanical Housing for MXA710

User guide for the MXA710 housing accessory, which is an empty MXA710 mechanical housing for design purposes.
Version: 4 (2020-G)

Table of Contents

A710-HOUSING	Mechanical Housing for MXA710	3	Installing the Wall-Mounting Bracket	4
IMPORTANT SAFETY INSTRUCTIONS		3	Suspending the Microphone from the Ceiling	6
A710-Housing (2-foot or 4-foot)		4	Contact Customer Support	7

A710-HOUSING



Mechanical Housing for MXA710

IMPORTANT SAFETY INSTRUCTIONS

1. READ these instructions.
2. KEEP these instructions.
3. HEED all warnings.
4. FOLLOW all instructions.
5. DO NOT use this apparatus near water.
6. CLEAN ONLY with dry cloth.
7. DO NOT block any ventilation openings. Allow sufficient distances for adequate ventilation and install in accordance with the manufacturer's instructions.
8. DO NOT install near any heat sources such as open flames, radiators, heat registers, stoves, or other apparatus (including amplifiers) that produce heat. Do not place any open flame sources on the product.
9. DO NOT defeat the safety purpose of the polarized or grounding type plug. A polarized plug has two blades with one wider than the other. A grounding type plug has two blades and a third grounding prong. The wider blade or the third prong are provided for your safety. If the provided plug does not fit into your outlet, consult an electrician for replacement of the obsolete outlet.
10. PROTECT the power cord from being walked on or pinched, particularly at plugs, convenience receptacles, and the point where they exit from the apparatus.
11. ONLY USE attachments/accessories specified by the manufacturer.
12. USE only with a cart, stand, tripod, bracket, or table specified by the manufacturer, or sold with the apparatus. When a cart is used, use caution when moving the cart/apparatus combination to avoid injury from tip-over.



13. UNPLUG this apparatus during lightning storms or when unused for long periods of time.
14. REFER all servicing to qualified service personnel. Servicing is required when the apparatus has been damaged in any way, such as power supply cord or plug is damaged, liquid has been spilled or objects have fallen into the apparatus, the apparatus has been exposed to rain or moisture, does not operate normally, or has been dropped.
15. DO NOT expose the apparatus to dripping and splashing. DO NOT put objects filled with liquids, such as vases, on the apparatus.
16. The MAINS plug or an appliance coupler shall remain readily operable.
17. The airborne noise of the Apparatus does not exceed 70dB (A).
18. Apparatus with CLASS I construction shall be connected to a MAINS socket outlet with a protective earthing connection.
19. To reduce the risk of fire or electric shock, do not expose this apparatus to rain or moisture.
20. Do not attempt to modify this product. Doing so could result in personal injury and/or product failure.
21. Operate this product within its specified operating temperature range.

	This symbol indicates that dangerous voltage constituting a risk of electric shock is present within this unit.
	This symbol indicates that there are important operating and maintenance instructions in the literature accompanying this unit.

A710-Housing (2-foot or 4-foot)

The A710-Housing is an empty mechanical housing that looks like a real MXA710 microphone. In some rooms, an architect or designer may want to install the A710-Housing for aesthetic or visual reasons.

The A710-Housing doesn't have any electrical parts, status LED, or RJ-45 connector. You can mount the A710-Housing using any of the same mounting methods as an MXA710 microphone.

What's in the Box

2- or 4-foot A710-Housing	A710-2FT-HOUSING or A710-4FT-HOUSING
Wall-mounting bracket (2- or 4-foot)	RPM710-2M or RPM710-4M
Hardware kit with: Wall cover plate and screws (US and UK versions) Mounting eyelet screws (2) Washers for eyelet screws (2) Cable ties (2)	RPM710-H

Model Variations

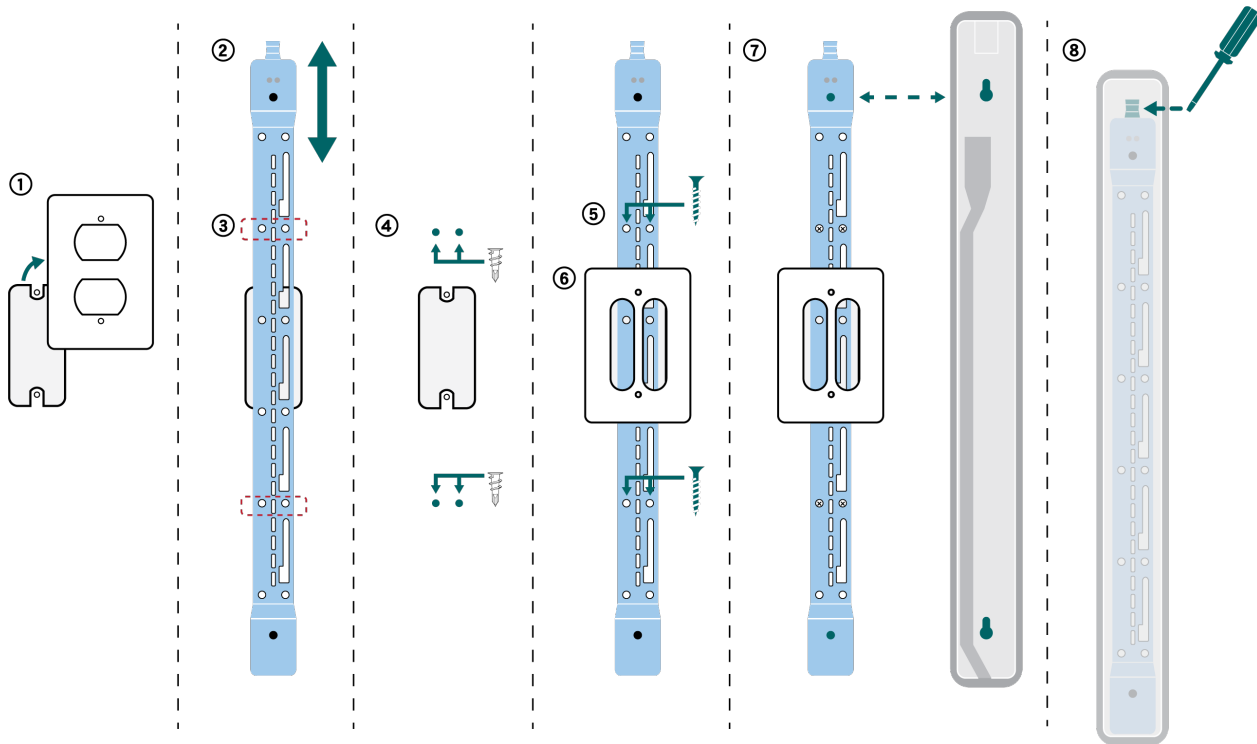
SKU	Description
A710B-2FT-HOUSING	Black 2-foot housing only
A710W-2FT-HOUSING	White 2-foot housing only
A710AL-2FT-HOUSING	Aluminum 2-foot housing only
A710B-4FT-HOUSING	Black 4-foot housing only
A710W-4FT-HOUSING	White 4-foot housing only
A710AL-4FT-HOUSING	Aluminum 4-foot housing only

Installing the Wall-Mounting Bracket

You can mount the bracket directly over a junction box, or at any other place on the wall. The bracket works positioned vertically or horizontally.

To get started, you will need:

- Wall-mounting bracket
- Cover plate (US or UK) and screws (if using)
- 4 drywall anchors and screws
- Screwdriver
- Drill



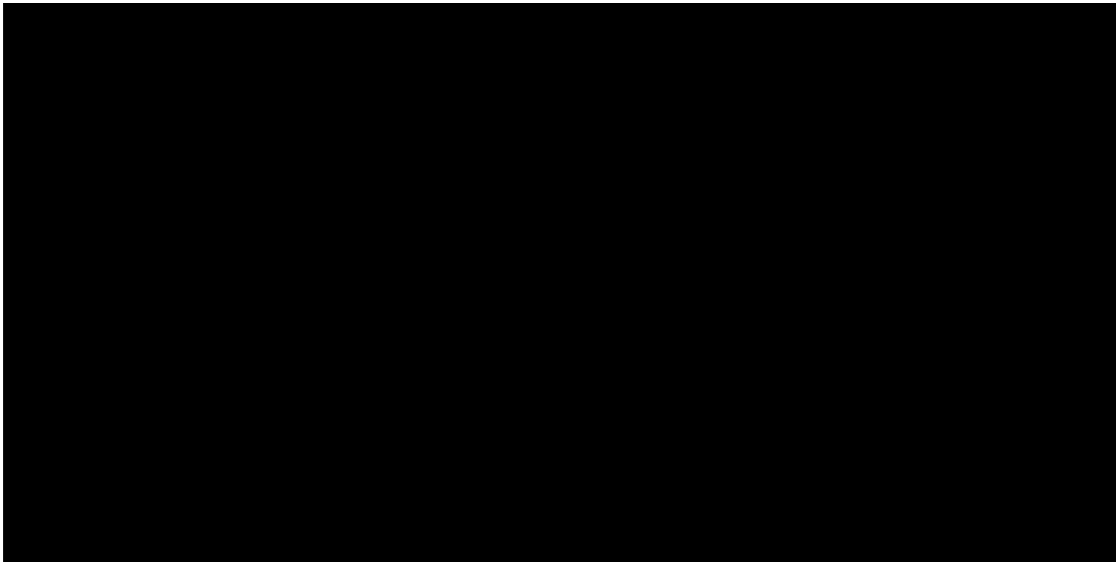
1. If you're mounting over a junction box, remove the existing cover plate.
2. Position the wall-mounting bracket. You can mount it vertically or horizontally on the wall.
3. Using a pencil, mark the wall for the position of the drywall anchors and screws. If you're installing over a junction box, balance the bracket with 2 screws above the box and 2 screws below it.
4. Remove the bracket and drill the holes for the drywall anchors. Install the drywall anchors.
5. Place the bracket on the wall and insert the drywall screws into the anchors to secure the bracket.
6. If you're mounting over a junction box, reinstall the cover plate over the bracket.
7. Align the holes on the back of the microphone housing with the raised posts on the bracket and slide the microphone housing into the bracket until it clicks into place.
8. To remove the microphone housing, press the tab at the top of the bracket with a screwdriver or other tool and slide the microphone housing up.

Other mounting options:



Horizontal

Suspending the Microphone from the Ceiling

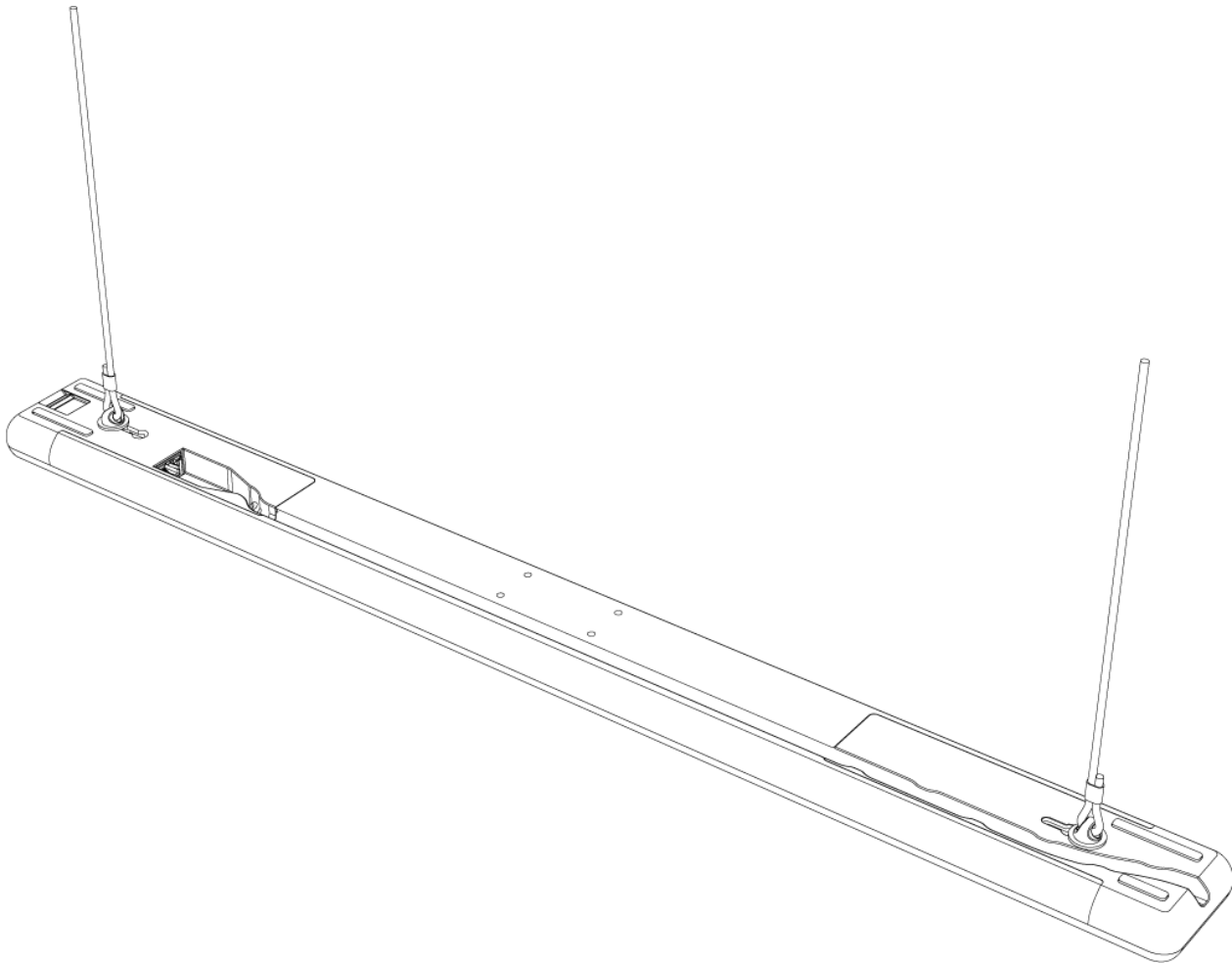


To get started, you will need:

- 2 mounting eyelet screws
- 2 washers
- Braided metal cable or high-strength wire*
- Hardware to attach cable to ceiling*

1. Place the washers over the microphone's mounting holes and attach the eyelet screws to the microphone.
2. Attach the mounting cables to the eyelets.

3. Attach the cables to the ceiling using the appropriate hardware.



* Not included

Contact Customer Support

Didn't find what you need? [Contact our customer support](#) to get help.