

## CHALICE 70W LED DOWNLIGHT

The Chalice 70 pendant LED downlight follows the Altman Lighting tradition of lighting quality. Designed specifically for the demands of theaters, churches and public venues, the Chalice 70 is a 70 Watt White LED pendant fixture that is an energy-efficient solution to general lighting needs.

The Chalice 70 addresses and alleviates the typical maintenance routines of changing lamps and ballasts in difficult-to-access locations. The Chalice 70 uses a single-point source for optimal beam control, and offers a variety of reflector options for ceiling heights from 10 to 50 feet. Its powerful and clean non-pixelated and non-granulated output blends to seamless coverage in the most elegant setting.

Extremely smooth dimming reproduces the comfortable feel of traditional incandescent sources, at a fraction of the power consumption. Either Mains Dimmable or DMX control allows each fixture to be controlled via an existing dimming system or from an architectural control system and/or directly from a theatrical control console.



*Chalice 70W LED Pendant*

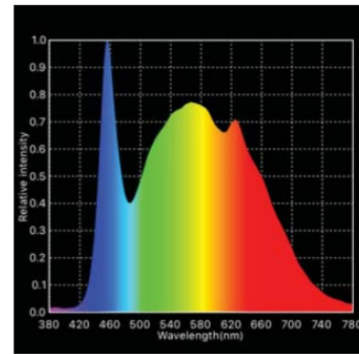
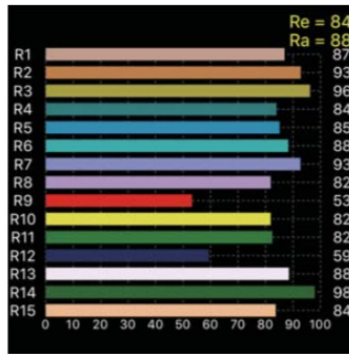
### **Product Features:**

- 70W LED Driver
- 7076 maximum lumens
- 7 interchangeable reflectors
- CCT options 2700K, 3000K, 4000K, or 5000K
- 40° swivel ball ceiling mount
- DMX or Mains (line voltage) dimmable
- Push button DMX addressing and RDM compatible
- DMX pass-through
- Single channel high resolution DMX
- Selectable actions on loss of control signal (for DMX models only)
- High and Low trim settings
- Available in white, black, or custom colors
- cETLus and CE listed for indoor applications
- Made in the USA
- Five (5) year and one (1) day warranty
- No cost technical support for the life of your product

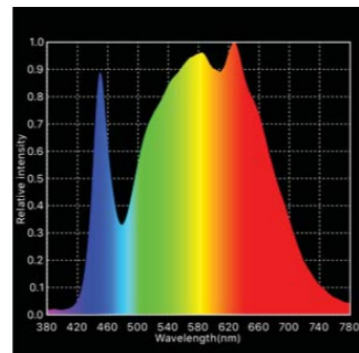
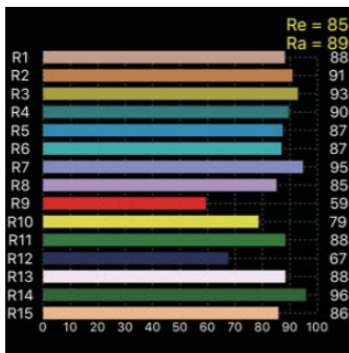


Photometric Performance

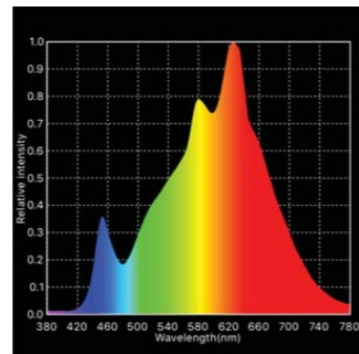
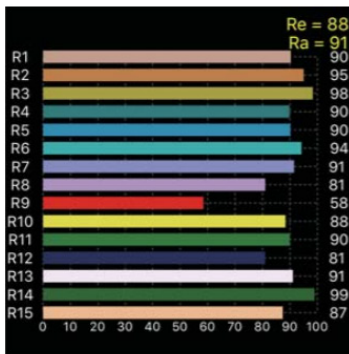
CHALICE CDP70 PHOTOMETRIC SCORE CARD – 5000K	
CCT	4692
DUV	.0056
CRI	90
CQS	87
RE(R1-15)	84
TLCI Qa)	89.8
TM-30-15 rf	85
TM-30-15 rg	94



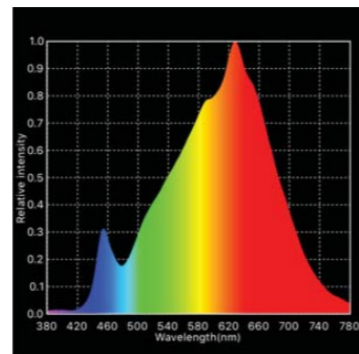
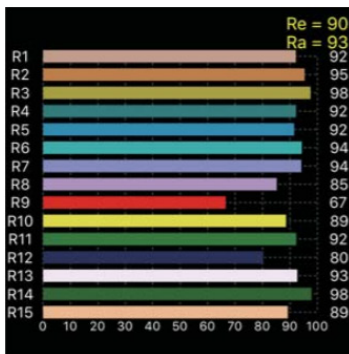
CHALICE CDP70 PHOTOMETRIC SCORE CARD – 4000K	
CCT	3927
DUV	.0039
CRI	90
CQS	89
RE(R1-15)	85
TLCI Qa)	91.6
TM-30-15 rf	89
TM-30-15 rg	98



CHALICE CDP70 PHOTOMETRIC SCORE CARD – 3000K	
CCT	2826
DUV	-.0033
CRI	91
CQS	91
RE(R1-15)	88
TLCI Qa)	89.3
TM-30-15 rf	90
TM-30-15 rg	99



CHALICE CDP70 PHOTOMETRIC SCORE CARD – 2700K	
CCT	2750
DUV	.0018
CRI	93
CQS	93
RE(R1-15)	90
TLCI Qa)	94.2
TM-30-15 rf	91
TM-30-15 rg	98



**Photometric Performance**

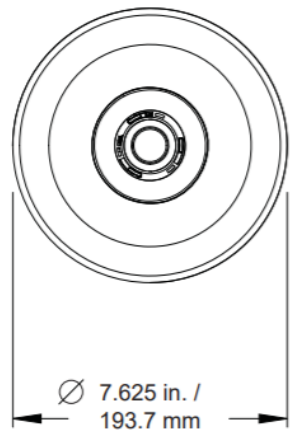
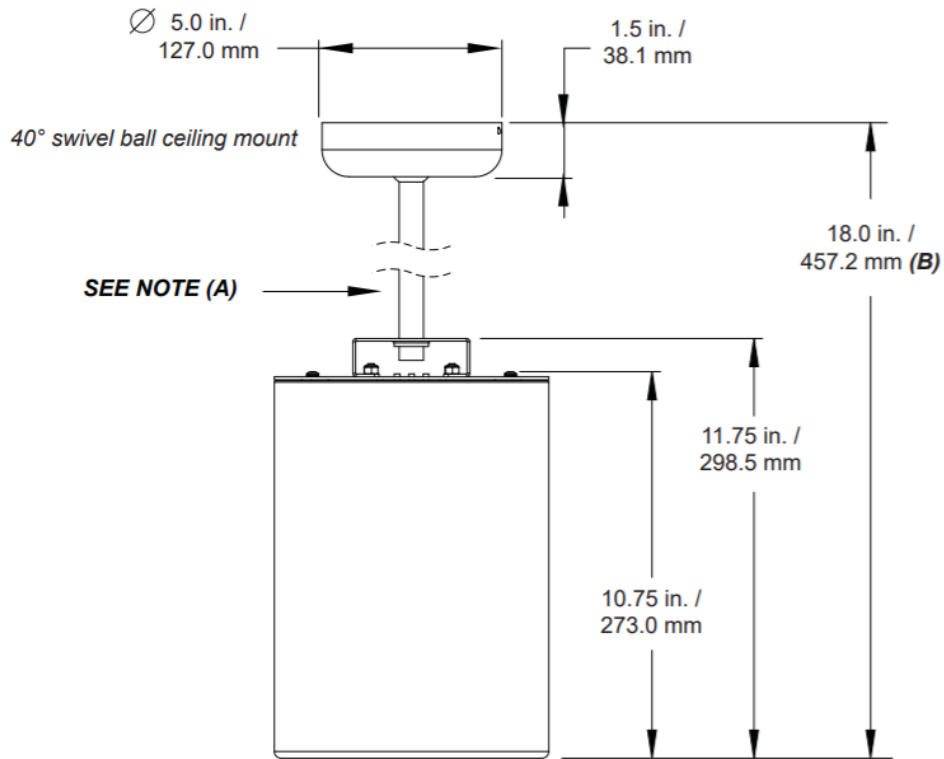
Photometric data taken with CDP70 fixture at the shown CCT values. Some Clipping of the beam will occur with the use of the 91 degree Extra Wide Flood Reflector please see Chalice 70 IES files on the Altman Lighting web site for additional beam characteristics.

CCT	Reflector Type	Lumen Output	10'-0" (3.048m)	20'-0" (6.096m)	30'-0" (9.144m)	40'-0" (12.192m)	50'-0" (15.240m)	
5000K	20 Degree Narrow Spot	7016.0	554.3	138.6	61.6	8.7	3.8	fc
			5964.3	1491.1	662.7	93.2	41.4	lux
	29 Degree Spot	6204.0	198.2	49.6	22.0	3.1	1.4	fc
			2132.6	533.2	237.0	33.3	14.8	lux
	39 Degree Narrow Flood	6526.0	116.6	29.2	13.0	1.8	0.8	fc
			1254.6	313.7	139.4	19.6	8.7	lux
	46 Degree Medium Flood	6193.0	100.2	25.1	11.1	1.6	0.7	fc
			1078.2	269.5	119.8	16.8	7.5	lux
	51 Degree Wide Flood	6382.0	76.4	19.1	8.5	1.2	0.5	fc
			822.1	205.5	91.3	12.8	5.7	lux
	64 Degree Very Wide Flood	6429.0	58.3	14.6	6.5	0.9	0.4	fc
			627.1	156.8	69.7	9.8	4.4	lux
	91 Degree Extra Wide Flood	6079.0	36.5	9.1	4.1	0.6	0.3	fc
			393.2	98.3	43.7	6.1	2.7	lux
4000K	20 Degree Narrow Spot	7076.0	559.0	139.8	62.1	8.7	3.9	fc
			6014.8	1503.7	668.3	94.0	41.8	lux
	29 Degree Spot	6257.0	199.0	49.8	22.1	3.1	1.4	fc
			2141.2	535.3	237.9	33.5	14.9	lux
	39 Degree Narrow Flood	6582.0	117.6	29.4	13.1	1.8	0.8	fc
			1265.4	316.3	140.6	19.8	8.8	lux
	46 Degree Medium Flood	6246.0	99.2	24.8	11.0	1.6	0.7	fc
			1067.4	266.8	118.6	16.7	7.4	lux
	51 Degree Wide Flood	6436.0	77.1	19.3	8.6	1.2	0.5	fc
			829.6	207.4	92.2	13.0	5.8	lux
	64 Degree Very Wide Flood	6484.0	58.8	14.7	6.5	0.9	0.4	fc
			632.2	158.0	70.2	9.9	4.4	lux
	91 Degree Extra Wide Flood	6131.0	36.8	9.2	4.1	0.6	0.3	fc
			396.1	99.0	44.0	6.2	2.8	lux
3000K	20 Degree Narrow Spot	6032.0	476.6	119.2	53.0	7.4	3.3	fc
			5128.2	1282.1	569.8	80.1	35.6	lux
	29 Degree Spot	5334.0	170.4	42.6	18.9	2.7	1.2	fc
			1833.5	458.4	203.7	28.6	12.7	lux
	39 Degree Narrow Flood	5611.0	100.2	25.1	11.1	1.6	0.7	fc
			1078.2	269.5	119.8	16.8	7.5	lux
	46 Degree Medium Flood	5325.0	86.2	21.6	9.6	1.3	0.6	fc
			927.5	231.9	103.1	14.5	6.4	lux
	51 Degree Wide Flood	5486.0	65.7	16.4	7.3	1.0	0.5	fc
			706.9	176.7	78.5	11.0	4.9	lux
	64 Degree Very Wide Flood	5527.0	50.1	12.5	5.6	0.8	0.3	fc
			539.1	134.8	59.9	8.4	3.7	lux
	91 Degree Extra Wide Flood	5226.0	31.4	7.9	3.5	0.5	0.2	fc
			338.0	84.5	37.6	5.3	2.3	lux
2700K	20 Degree Narrow Spot	6084.0	480.7	120.2	53.4	7.5	3.3	fc
			5172.3	1293.1	574.7	80.8	35.9	lux
	29 Degree Spot	5380.0	171.9	43.0	19.1	2.7	1.2	fc
			1849.6	462.4	205.5	28.9	12.8	lux
	39 Degree Narrow Flood	5659.0	101.1	25.3	11.2	1.6	0.7	fc
			1087.8	272.0	120.9	17.0	7.6	lux
	46 Degree Medium Flood	5371.0	86.9	21.7	9.7	1.4	0.6	fc
			935.0	233.8	103.9	14.6	6.5	lux
	51 Degree Wide Flood	5534.0	66.3	16.6	7.4	1.0	0.5	fc
			713.4	178.3	79.3	11.1	5.0	lux
	64 Degree Very Wide Flood	5575.0	50.5	12.6	5.6	0.8	0.4	fc
			543.1	135.8	60.3	8.5	3.8	lux
	91 Degree Extra Wide Flood	5271.0	31.7	7.9	3.5	0.5	0.2	fc
			340.9	85.2	37.9	5.3	2.4	lux

Note: all photometrics above including published IES files have been taken with the DMX version of this product. The output on the mains dim version may vary depending upon the connected dimming systems efficiency.

**Dimensional Drawings**

**Pendant Models**



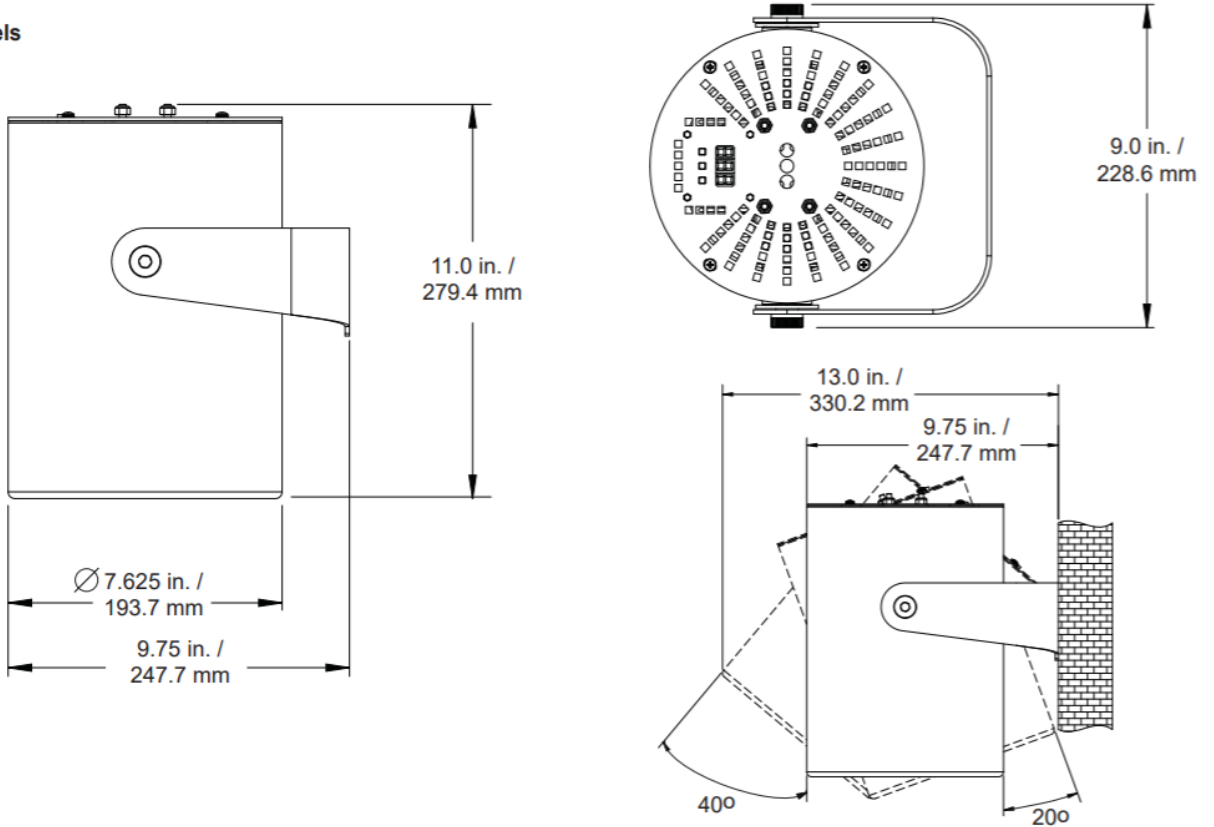
Bottom View

**NOTES:**

- (A) Specify Length of either Stem: 6 in. / 152.4 mm (minimum) or Aircraft Cable: Up to 20 ft. / 6.1 m
- (B) Measurement shown with 6-inch stem for reference only.

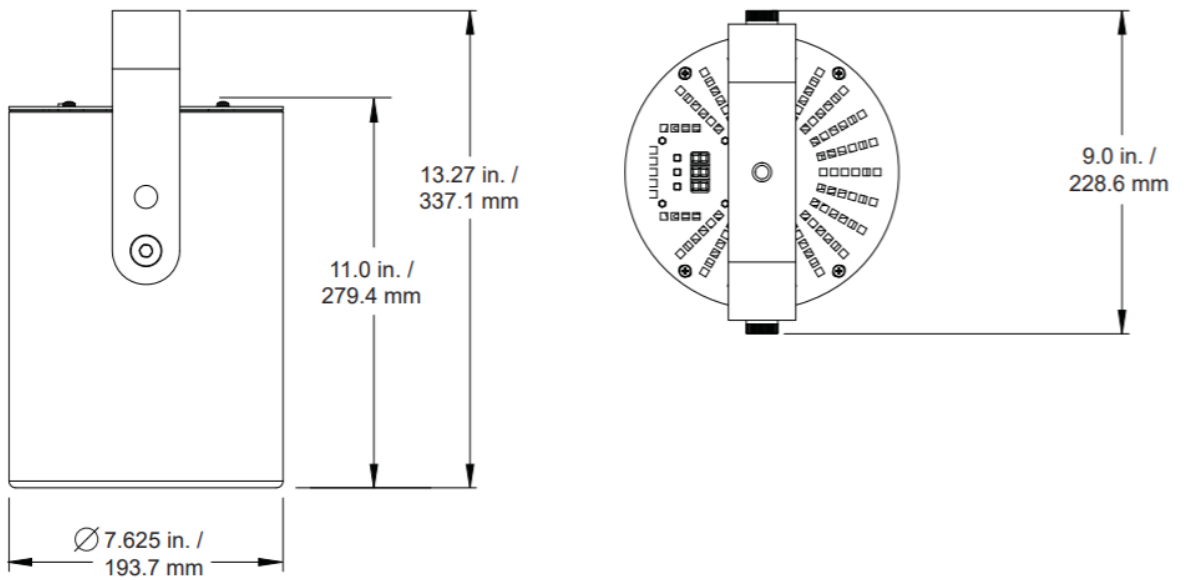
**Dimensional Drawings**

**Wall Mount Models**



**Dimensional Drawings**

**Yoke Mount Models**



## Chalice Cooling Reference

PART NUMBER	MODEL	COOLING
CDP50-*_*_*_*	Chalice 50 Pendant	Convection
CDR50-*_*_*_*	Chalice 50 Recessed	
CDA50-*_*_*_*	Chalice 50 Aircraft Cable	
CDP70-*_*_*_*	Chalice 70 Pendant	Mains-Dim version has driver fan.
CDR70-*_*_*_*	Chalice 70 Recessed	
CDA70-*_*_*_*	Chalice 70 Aircraft Cable	
CDW70-*_*_*_*	Chalice 70 Wall	
CDY70-*_*_*_*	Chalice 70 Yoke	
CDP100-*_*_*_*	Chalice 100 Pendant	Convection
CDR100-*_*_*_*	Chalice 100 Recessed	
CDA100-*_*_*_*	Chalice 100 Aircraft Cable	
CDW100-*_*_*_*	Chalice 100 Wall	
CDY100-*_*_*_*	Chalice 100 Yoke	
CDP150-*_*_*_*	Chalice 150 Pendant	DMX - Convection / Mains-Dim - Driver Fan
CDR150-*_*_*_*	Chalice 150 Recessed	Overall fixture fan
CDA150-*_*_*_*	Chalice 150 Aircraft Cable	DMX - Convection / Mains-Dim - Driver Fan
CDW150-*_*_*_*	Chalice 150 Wall	DMX - Convection / Mains-Dim - Driver Fan
CDY150-*_*_*_*	Chalice 150 Yoke	DMX - Convection / Mains-Dim - Driver Fan

# Specifications

**Materials:** Corrosion-resistant materials and hardware

**Control:** Mains dimmable or DMX/RDM

**Light Engine:** 70W LED Array - Available in 2700K, 3000K, 4000K, or 5000K

**Lumens:** 7076 maximum.

**Rated LED Life:** Array rating >50,000 hours to L70

**Input Voltage:** 100-277 VAC 50/60 Hz

**Watts:** 70

**Current Draw:** .58A at 120VAC / .3A at 230VAC  
Mains Dimmable Models: 1.01A @120VAC / 0.50A @ 240VAC

**Power Factor** > 0.92 @ Full Load (Mains Dimmable Models)

**Current Inrush** 15Apk Max 1/2 cycle @230VAC

**Quiescent Load** 3.1 Watts (DMX Models Only)

**LED Engine Cooling:** (Mains Dimmable Models)

**Environment:** Convection, passive  
0 - 40°C (32 - 104°F) with humidity of 5-95% non-condensing)

**Weight:** 28.25 lbs. (12.81 kgs.)

**Body Color:** 28.25 lbs. (12.81 kgs.)

**Compliance:** cETLus and CE listed for indoor use

**Warranty:** Five (5) years and One (1) day

**Support:** Supported Forever - free phone and online tech support for the life of your product.

Please note that noise levels on mains dim luminaires are subject to the dimming/switching systems in which they are wired. Electrical systems displaying harmonics may increase the audible noise output from the luminaire.

**IMPORTANT!** For fixtures that are mains dim controlled, do not connect more than four (4) luminaires to the same dimmer. Connecting more than four luminaires to the same dimmer will result in undesired low-end dimmer response. Note: dimmer must be sized appropriately to handle the luminaire load.

PART NUMBER	MODEL	COOLING
GDP70-*_*_*_*_*_*	Chalice 70 Pendant	Convection
CDA70-*_*_*_*_*_*	Chalice 70 Aircraft Cable	Convection
CDW70-*_*_*_*_*_*	Chalice 70 Wall	Convection
CDY70-*_*_*_*_*_*	Chalice 70 Yoke	Convection

# Ordering Information

**CDA70-(LED ARRAY)-(BODY COLOR)-(CONTROL)- (VOLTAGE)**  
**Model** CDA70 Chalice Pendant Aircraft Cable LED Luminaire\*

**GDP70-(LED ARRAY)-(BODY COLOR)-(CONTROL)- (VOLTAGE)**  
**Model** GDP70 Chalice Pendant LED Luminaire\*\*

**CDY70-(LED ARRAY)-(BODY COLOR)-(CONTROL)- (VOLTAGE)**  
**Model** CDY70 Chalice Yoke Mount LED Luminaire

**CDW70-(LED ARRAY)-(BODY COLOR)-(CONTROL)- (VOLTAGE)**  
**Model** GDP70 Chalice Wall Mount LED Luminaire

**LED Array:** 2K (2700K), 3K (3000K), 4K (4000K) or 5K (5000K)  
**Body Color:** Black (B) or White (W) or Custom (C)\*\*\*  
**Control:** DMX Control (D) or Mains Dimmable (M)\*\*\*\*  
**Voltage:** 120 (120VAC), 220 (220VAC), or 277 (277VAC)

*Notes:*  
\* Mounting: Maximum length for Aircraft cable = 20'-0" (6.1 m)  
\*\* Mounting: Minimum length of Pendant = 6" (152mm). Custom stem lengths available. Consult factory before ordering.  
\*\*\* Consult factory before ordering.  
\*\*\*\* Mains Dimmable models available in 120VAC or 220VAC only.

# Accessories

- 19-F13379** 20 Degree Narrow Spot Reflector
- 19-F13380** 29 Degree Spot Reflector
- 19-F13325** 39 Degree Narrow Flood Reflector
- 19-F13381** 46 Degree Medium Flood Reflector
- 19-F13401** 51 Degree Wide Flood Reflector
- 19-F13402** 64 Degree Very Wide Flood Reflector
- 19-F13838** 91 Degree Extra Wide Flood Reflector
- 510** Malleable Iron Pipe Clamp
- 99-C545-S-\*** Ball Mount Assembly
- 70-3980** Aircraft Cable Suspension Assembly (natural silver only)
- 61-0265** RAD (Remote Authorization Device) for remotely addressing fixtures via RDM
- GDP-STEM-72** 72" stem length addition\*\*

*Notes:* \* For these optional accessories, specify color Black (B), White (W) or Custom (C). For custom colors, consult factory before ordering.  
\*\* Added 72" stem length including 3/8" IPS Coupler, & 72" of added wiring. Maximum of 364" which is 4 stem additions per fixture.

