

# MP-1.5NPS-CP

120 lb. WLL

CEILING PLATE FOR SCHED-40 1-1/2" DIA. THREADED PIPE

CEILING ATTACHMENT



## CEILING MOUNT

The MP-1.5NPS-CP provides a safe ceiling mounting plate for 1 1/2" dia. threaded pipes. The ceiling plate can be installed to most horizontal overhead structures, including ceiling trusses, beams, Unistrut and other structural components.

The MP-1.5NPS-CP is designed to hold overhead speakers with a maximum weight of 120 lbs. We recommend a drop of no longer than 72" from the overhead structure.



### KEY FEATURES:

- ▶ For overhead vertical load applications.
- ▶ Adapts to standard schedule-40 1 1/2" pipe.

### OPTIONAL ACCESSORIES:

- ▶ See Threaded Pipe Datasheet
- ▶ Thread Reducers - See Below

### SPECIFICATIONS:

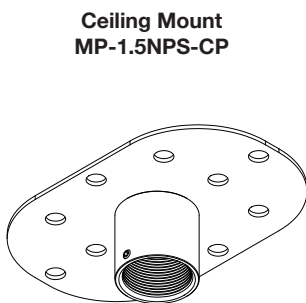
**Materials:** Structural Steel  
**Finish:** Powder Coat  
**Color:** Black  
**WLL:** 120 lb/ 55 Kg  
**Design Factor:** 5:1  
**Shipping Weight:** 2.3 lbs / 1.05 Kg

### PACKAGE CONTENTS:

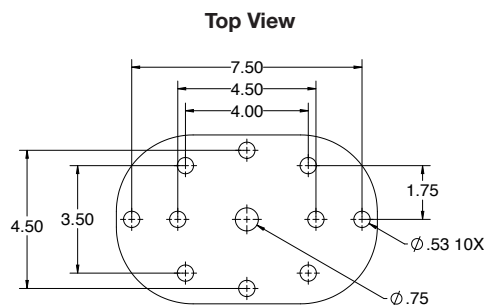
**1 pc** Ceiling Plate w/ 1 1/2" NPS threads  
**1 pc** Set screw, 1/4-20 x .25" long, black



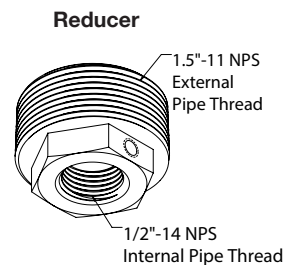
### DIMENSIONS:



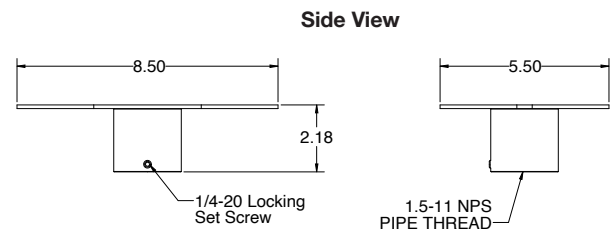
Ceiling Mount  
MP-1.5NPS-CP



Top View



Reducer



Side View

### ALWAYS INSTALL SAFETY CABLES

**WARNING:** Mounting and/or suspension of audio and video equipment requires experienced professionals. Improperly installed equipment can result in property damage, personal injury and/or liability to the installing contractor.