

Type(s)
Project
Date
Notes



GENERAL INFORMATION

The Foundry 600 W Dimmers provide DMX controlled line dimming of various load types. The Phase Adaptive dimmer is perfect for Electronic Low Voltage (ELV), incandescent, and fluorescent loads, while the Forward Phase dimmer is better suited for Magnetic Low Voltage (MLV) loads. The dimmers mounts to an electrical junction box.

APPLICATIONS

- Arena and stadium suites
- Office buildings
- Conference and meeting rooms
- Healthcare facilities
- Houses of worship
- Classrooms
- Hospitality and restaurants
- Retail

FEATURES

- Single channel, 600 watt dimmer
- 120 or 277 VAC models
- DMX controlled and RDM configurable

COMPLIANCE

- cULus Listed
 - Conforms to UL 508 and UL 2043

ORDERING INFORMATION

Foundry 600 W Dimmer

MODEL	DESCRIPTION
UFD	600 watt DMX Phase Adaptive Dimmer (120 V)
UFD-277	600 watt DMX Phase Adaptive Dimmer (277 V)
UFD-MLV	600 watt DMX Forward Phase Dimmer (120 V)
UFD-277-MLV	600 watt DMX Forward Phase Dimmer (277 V)

Accessories

MODEL	DESCRIPTION
E4VB	4 inch back box with voltage barrier

FOUNDRY FAMILY OF PRODUCTS

Foundry Distributed Product Series

MODEL	DESCRIPTION
UFR2	Dual Zone DMX Relay
UFR2-LV	Dual Zone DMX Relay with 0–10 V
UFD	600 W DMX Phase Adaptive Dimmer (120 V)
UFD-277	600 W DMX Phase Adaptive Dimmer (277 V)
UFD-MLV	600 W DMX Forward Phase Dimmer (120 V)
UFD-277-MLV	600 W DMX Forward Phase Dimmer (277 V)

Foundry Mini Panel Product Series

MODEL	DESCRIPTION
UFMP4	4 Zone Mini Panel
UFMP8	8 Zone Mini Panel



SPECIFICATIONS**FUNCTIONAL**

- Control individual fixture or zone power for tungsten, line-voltage LED and other general-purpose lighting or plug loads
- Supports loads up to 600 W, minimum load of 1 W
- Phase Adaptive Dimmer provides automatic detection of required dimming mode (forward or reverse phase) with manual override selection
- Supports USITT DMX512-A (ANSI E1.11)
- Supports RDM (ANSI E1.20)

MECHANICAL

- Constructed of injection-molded ABS plastic
- Button interface and LED indicators for configuration
- Half-inch conduit knockout mounted
- Mains-voltage wiring exits through knockout mount
- DMX wiring connects to side of controller
- External heatsink
- Mains power input connections:
 - Hot (120 VAC black wire or 277 VAC brown wire) - 4 mm² (12 AWG)
 - Neutral (white wire) - 2.5 mm² (14 AWG)
 - Ground (green/yellow wire) - 4 mm² (12 AWG)
- Dimmed output connection (red wire) - 4 mm² (12 AWG)

ELECTRICAL

- 120 or 277 VAC, 50/60 Hz power input
- Phase-adaptive dimming variant, default reverse phase, auto-switches to forward phase depending on load type
- Forward phase dimming variant for magnetic loads, dims in forward phase only
- 600 W load capacity

DMX INPUT PORT

- Optically-isolated from dimmer electronics
- Withstands fault voltages of up to 250 VAC
- Integrated DMX/RDM termination

CONFIGURATION

- Remote configuration available via RDM controllers including:
 - ETC DMX/RDM gateway networked to a device running ETC Concert software
 - ETC control console with RDM functionality
 - 3rd party configuration and control products
- Manual configuration of the starting DMX address on the controller

THERMAL

- Ambient room temperature: 0 to 50°C (32–122°F)
- Ambient humidity: 5–95% (non-condensing)

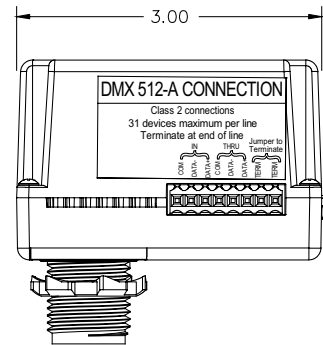
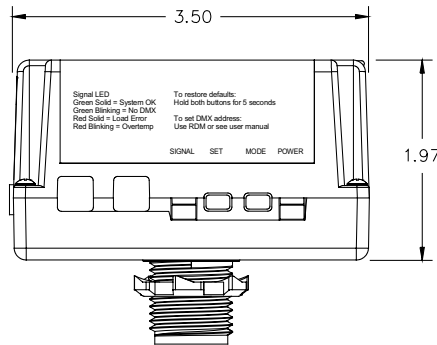
PHYSICAL

Dimmer Dimensions

MODEL	HEIGHT		WIDTH		DEPTH	
	in	mm	in	mm	in	mm
UFD (all variants)	2.0	51	3.5	89	3.0	77

Dimmer Weight

MODEL	WEIGHT	
	lb	kg
UFD (all variants)	0.75	0.34



Corporate Headquarters • Middleton, WI USA
 Global Offices • London, UK • Rome, IT • Holzkirchen, DE • Paris, FR • Hong Kong
 Dubai, UAE • Singapore • New York, NY • Orlando, FL • Los Angeles, CA • Austin, TX
 Copyright©2022 ETC. All Rights Reserved. All product information and specifications subject to change. Rev G 2022-02
 *Trademark and patent info: etcconnect.com/IF

etcconnect.com