

PT4500-TM-PEDESTAL



15" Teleprompter, Pedestal & Dolly Turnkey w/ Talent Monitor



OVERVIEW

Ikan's Turnkey Broadcast Solutions include everything you need for your professional camera & teleprompting setup. This solution includes a 15" teleprompter w/ talent monitor, pedestal, and dolly. All of our systems have been tested internally for payload compatibility.

The remaining payload capacity, after mounting the full 15" teleprompter system without the counterweight, can accommodate camera setups up to 13 lbs. The pedestal, without the teleprompter system, can accommodate cameras up to 35.8 lbs. This solution also includes a carrying bag for the dolly.



PT4500

15" High Bright Beam Splitter Teleprompter



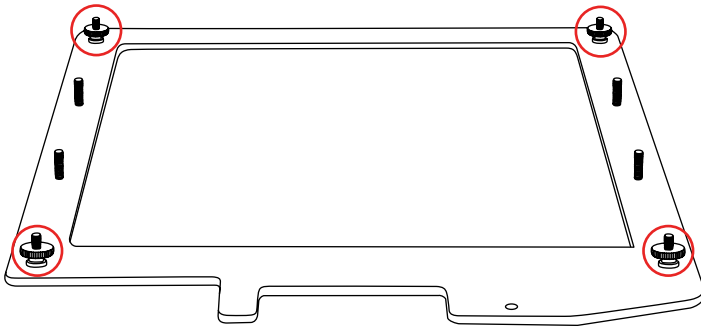
What's Included

- 1 x Teleprompter Base
- 1 x Bracket with Glass
- 1 x Teleprompter Hood with Boot
- 1 x Monitor
- 1 x AC Adapter with Cord
- 1 x PrompterPro Software
- 1 x Counterweight Set (2 x 2.5 lbs)
- 2 x D-Ring 1/4-20" Screws
- 2 x Hex Keys
- 3 x Different Height Risers

Teleprompter Assembly Setup

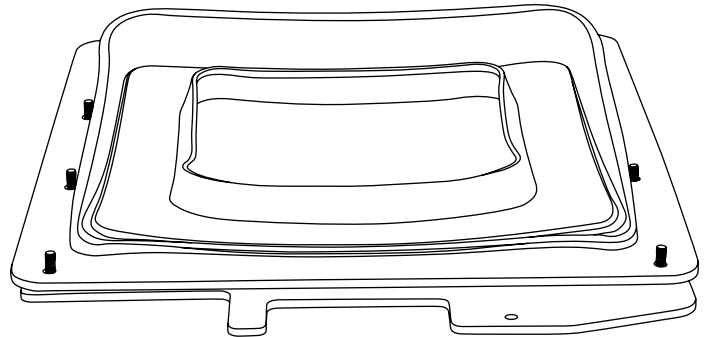
Step 1

Place the teleprompter glass frame on a flat surface and remove the four screws as shown.



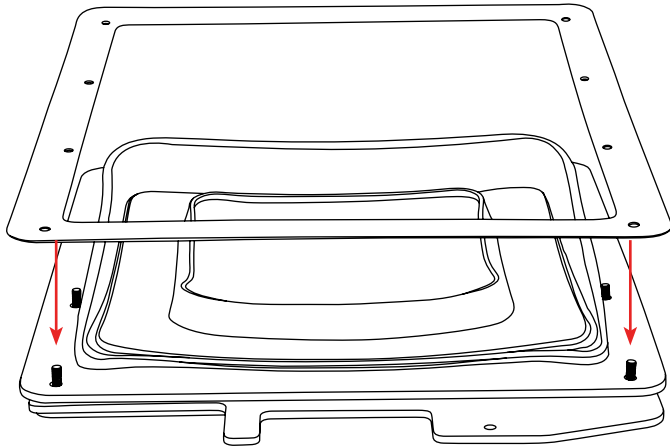
Step 2

Align and attach the teleprompter hood with the 8 screw pegs from the teleprompter frame.



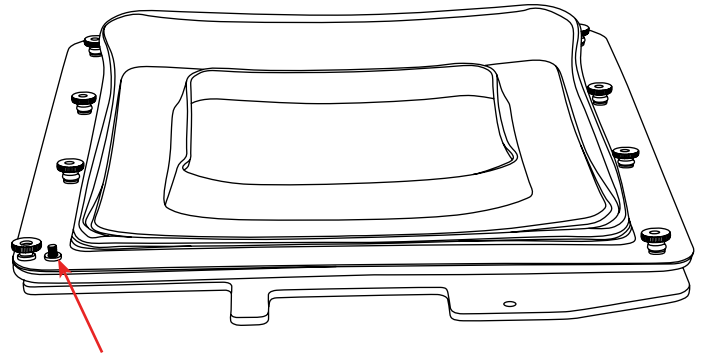
Step 3

The metal frame is directional. Make sure the thicker side is on top and the slimmer side is on the bottom.



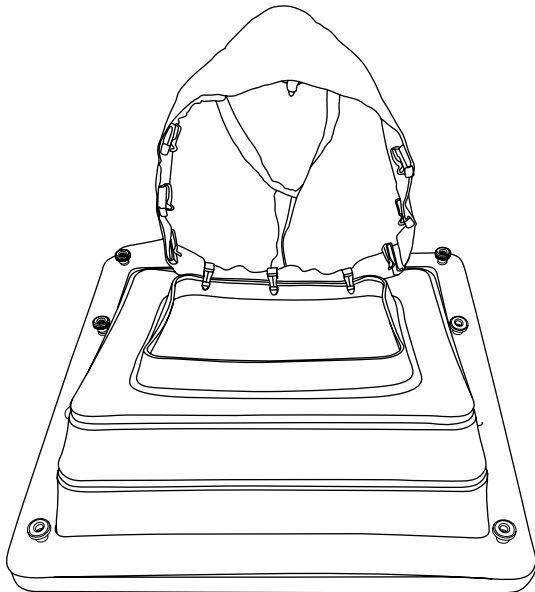
Step 4

Put the washers on before tightening the screws. The washers and 4 additional screws are inside a bag on the bottom foam.



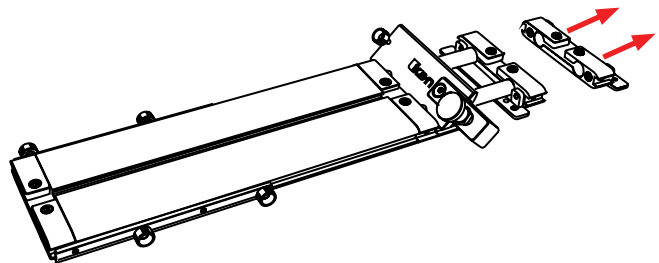
Step 5

Extend the teleprompter hood open and attach teleprompter boot using the clips. It is suggested to align the seam with the bottom of the teleprompter hood.



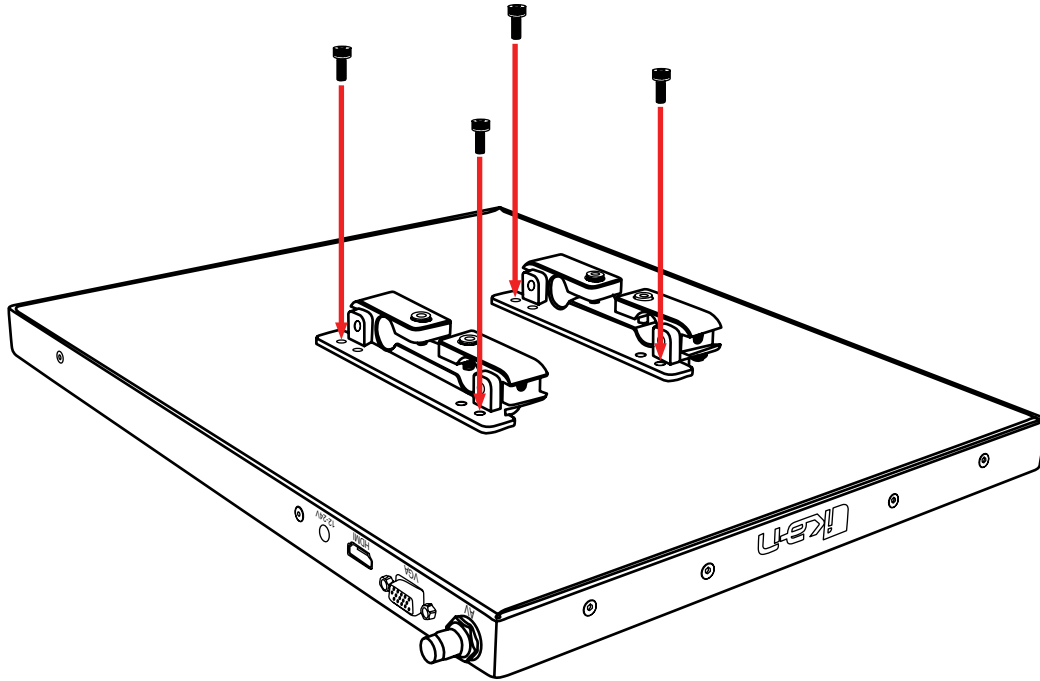
Step 6

Remove the monitor mounts from the teleprompter base using the included larger 4mm hex key to loosen from the 15mm rods.



Step 7

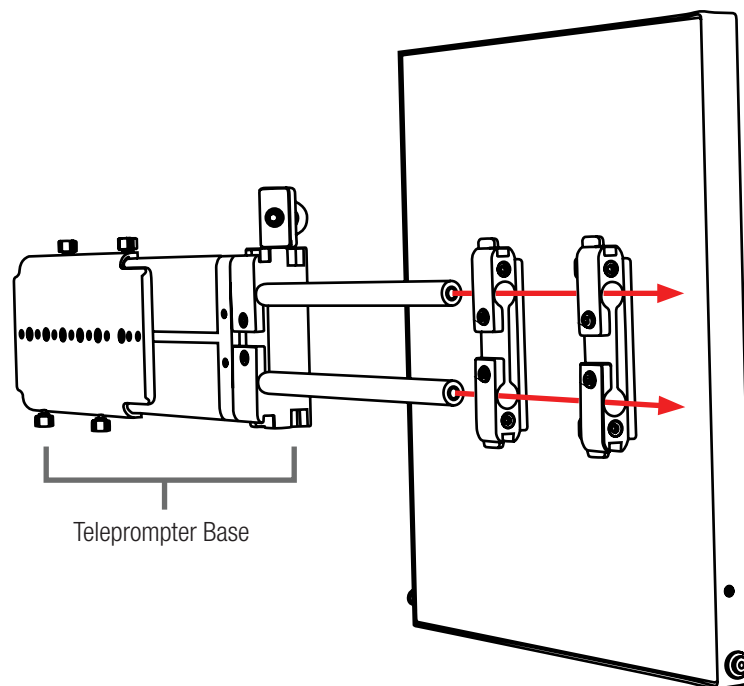
Attach the monitor mounts on the back of the monitor's VESA compatible threads using the 4 included screws and provided 2mm hex key.



Step 8

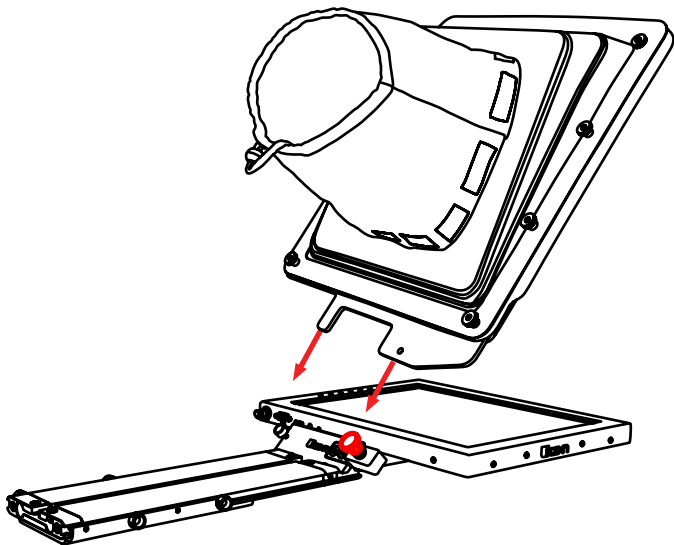
After the monitor mounts are attached, adjust the 15mm rods to accommodate the monitor. Leave about 1 inch of room for the teleprompter bracket. Make sure the 15mm rods go through both set of monitor mounts. Please ensure that all screws are properly tightened after inserting the monitor.

SAFETY NOTE Make sure to leave at least 2 inches of the rods inside the teleprompter base.



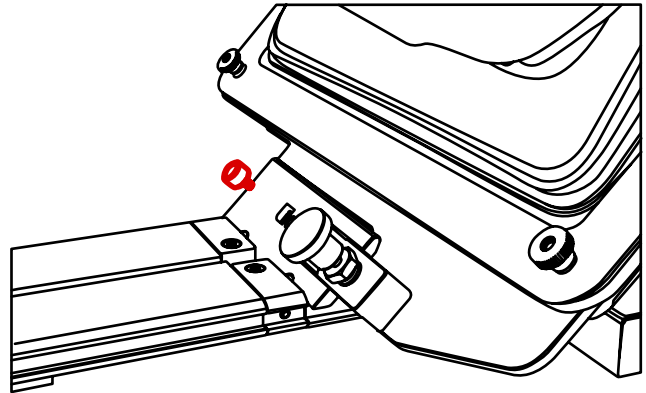
Step 9

While sliding the teleprompter bracket into the slot of the teleprompter base pull on the red knob to allow the bracket to fully slide in.



Step 10

Once the bracket is in place, tighten the side screw to lock in place. Double check and make sure all the screws are tightened with the included hex keys.



Step 11 (optional)

Should the teleprompter be too front heavy, you can attach the included counter weight on the back of the teleprompter base.

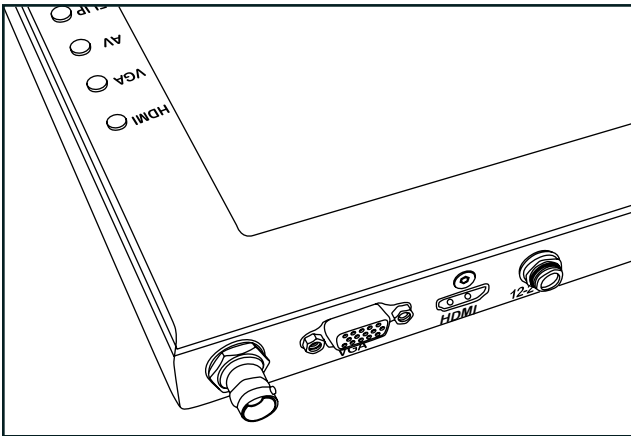
Foam Case

To make your teleprompter more portable, we packed it in a reusable, high-quality foam. The shape and size of the foam was designed to fit into Ikan's PT-CASE-V2.



**** DO NOT THROW AWAY FOAM CASE ****

Monitor Ports



BNC – AV Composite Input
VGA – Video Graphics Array DE15 Connection
HDMI – High-Definition Multimedia Interface Input Connection
Power Port – 12-24v Input

Monitor Menu Settings

Video Config

- Contrast (White Level)
- Brightness (Black Level)
- Tint (Chroma Hue)
- Chroma (Chroma Saturation)
- Sharpness (Detail)
- RGB Setup – Manually configure RGB
- Return

System Config

- Menu Duration – Set duration of how long menu stays on screen
- Video Ratio – Set screen aspect ratio 16:9 or 4:3 (4:3 is native resolution, 16:9 will create black bars)
- Flip-H – Assign toggle button to flip image horizontally
- Flip-V – Assign toggle button to flip image vertically
- Reset – Factory reset
- Return

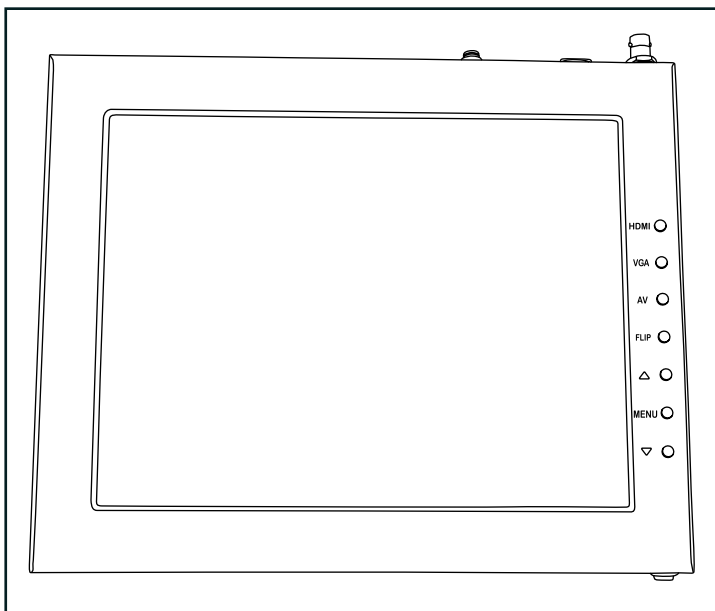
PC Setup (Only available for VGA)

- H-Position – Adjust horizontal position
- V-Position – Adjust vertical position
- Auto – Monitor automatically adjust position
- Return

Exit

How to set-up FLIP button feature:

1. Press MENU button
2. Navigate to SYSTEM CONFIG.
3. Navigate to FLIP-V or FLIP-H
4. Change FLIP-V and/or FLIP-H to "ON"
5. Exit MENU
6. The FLIP button should now be activated and can be pressed to mirror the image Horizontally or Vertically
7. When FLIP-H is ON, the image will flip Horizontally
8. When FLIP-V is ON, the image will flip Vertically
9. If both are ON, the FLIP button will toggle both Horizontal and Vertical flip



HDMI – Switch HDMI input
VGA – Switch to VGA input
AV – Switch to composite BNC input
Flip – Toggle image flip
(Can be set to horizontal, vertical, or both via menu)
Up Arrow – Toggle up to adjust setting
Menu – Access to monitor settings
Down Arrow – Toggle down to adjust setting

Watch our VIDEO TUTORIAL on how to assemble Ikan Professional Teleprompters:

https://youtu.be/5TjlxzBc_Vc



Specifications

PT4500

Aspect Ratio	4:3
Backlight	LED
Brightness	1000 nits
Build Material	Aluminum
Diagonal	15"
Input Signal	Composite BNC, VGA, HDMI
Input Voltage	DC 12v / 4A
Power Consumption	10W
Reading Range	17'
Resolution	1920 x 1080
Viewing Angle	160° (H) / 170° (V)
Weight	22 lb
Shipping Weight	28 lb
Shipping Dimensions	25 x 20 x 15.5 in

Optional Accessories

- PT4500-G** Replacement Glass for both PT4500 / PT4700
- PT15-HB-V2** 15" High Bright Monitor (for PT4500)
- PT17-HB-V2** 17" High Bright Monitor (for PT4700)
- PT-CASE-V2** Rolling Hard Case for PT4500/PT4700 Teleprompter



What's Included

- 1 x Teleprompter Monitor
- 1 x Power Adapter with Cable
- 1 x VESA Monitor Mount
- 1 x 15mm Rod Adapter
- 1 x Mounting Knob
- 4 x 10mm Screws
- 4 x 15mm Screws
- 2 x Large Screws
- 4 x Riser Washers
- 1 x Adjustable Plate

Assembly Steps

Setting Up the Talent Monitor

Using the shorter 4 x 10mm Screws, attach the VESA Monitor Mount. Make sure that the long end of the VESA Monitor Mount is pointing in the direction of the power button like the image above. Use the Mounting Knob to tighten the 15mm Rod Adapter to the VESA Monitor Mount.



Setting Up the Teleprompter Monitor (Monitor from the PT4500/PT4700)

If the mounting brackets were previously installed on the teleprompter monitor, remove those screws. Using the longer 4 x 15mm Screws and 4 x Riser Washers attach the mounting brackets with the washers between the bracket and monitor like the image below.



Attaching the Talent Monitor

After both the talent monitor and teleprompter monitor are set up, slide the talent monitor on to the PT4500/PT4700.

WARNING We recommend at least 1 inch of rod should be left inside the teleprompter base.



Specifications

PT17-HB

17" High-Bright Teleprompter Monitor

Aspect Ratio	4:3
Brightness	1000 cd/m2
Diagonal	17"
Input Signal	Composite BNC, VGA, HDMI
Input Voltage	DC 12v / 4A
Power Consumption	10 w
Product Weight	6 lbs
Product Dimensions	15.75" x 13" x 1"
Resolution	1280 x 1024
Shipping Weight	8 lbs
Shipping Dimensions	16.25" x 14.25" x 2"
Viewing Angle	160° (H) / 170° (V)
UPC	847983025947

PT15-HB

15" High Bright Teleprompter Monitor

Aspect Ratio	4:3
Brightness	1000 cd/m2
Diagonal	15"
Input Signal	Composite BNC, VGA, HDMI
Input Voltage	DC 12v / 4A
Power Consumption	10 w
Product Weight	5 lbs
Product Dimensions	14.25" x 11.25" x 1"
Resolution	1280 x 1024
Shipping Weight	7 lbs
Shipping Dimensions	15" x 12" x 4"
Viewing Angle	160° (H) / 170° (V)
UPC	847983011377

Supported Video Signals

HDMI

720x480i & 720x480p @ 59.94, 60 Hz
720x576i & 720x576p @ 50 Hz
1280x720p @ 50, 59.94, 60 Hz
1920x1080i @ 50, 59.94, 60 Hz
1920x1080psf @ 24, 25, 29.97, 30 Hz
1920x1080p @ 23.98, 24, 25, 29.97, 30, 50, 59.94, 60 Hz

Supported Video Signals

HDMI

720x480i & 720x480p @ 59.94, 60 Hz
720x576i & 720x576p @ 50 Hz
1280x720p @ 50, 59.94, 60 Hz
1920x1080i @ 50, 59.94, 60 Hz
1920x1080psf @ 24, 25, 29.97, 30 Hz
1920x1080p @ 23.97, 24, 25, 29.94, 30, 50, 59.94, 60 Hz

Optional Accessories

Some other products that work well with this item available from Ikan include:

PT4500 15" High Bright Beam Splitter Teleprompter

PT4700 17" High Bright Beam Splitter Teleprompter

Learn More

More dynamic information at official website: www.ikancorp.com

Support

Contact email: support@ikancorp.com

CONDITIONS OF WARRANTY SERVICE

- Free service for one year from the day of purchase if the problem is caused by manufacturing errors.
- The components and maintenance service fee will be charged if the warranty period is expired.

Free Service will not be Provided in the Following Situations:(*Even if the product is still within the warranty period.)

- Damage caused by abuse or misuse, dismantling, or changes to the product not made by the company.
- Damage caused by natural disaster, abnormal voltage, and environmental factors, etc.

©2019 Ikan International. All rights reserved.





The magic life in the image world

E-IMAGE

AT7903 Pedestal

UPGRADE
VERSION



- 184.5cm
72.6in
- 20.0kg
44.1lbs
- 102.0cm
40.2in
- 15.8kg
34.8lbs
- 32.0cm
12.6in
- 100mm

Component:

Pedestal	AT7903
Dolly	EI-7005



Pneumatic assist center column



Easy height-adjustment lever

UPGRADE



Quick locking

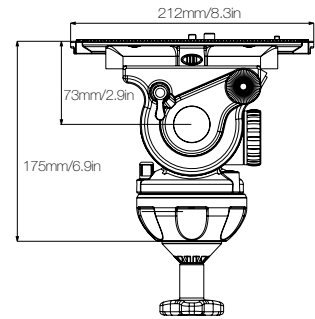
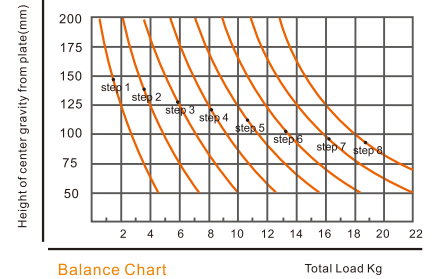


Ergonomic hand wheel

GH20 100mm Fluid Head



-  100mm
-  20.0kg / 44.0lbs
-  0-8



FEATURES



Fixed drag of pan & tilt



Longer sliding plate











Leveling bubble



8 plus 0 steps of counterbalance

SPECIFICATIONS

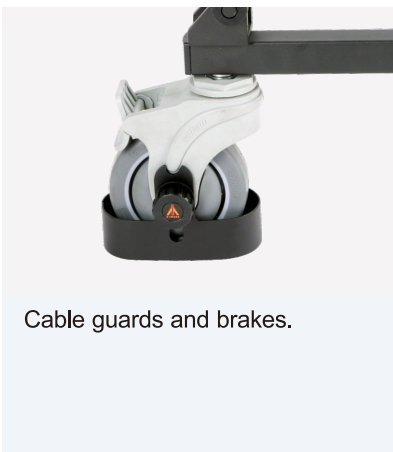
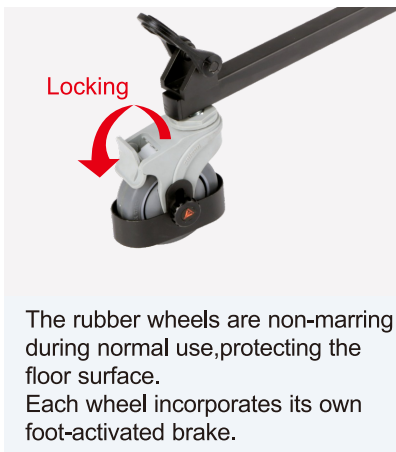
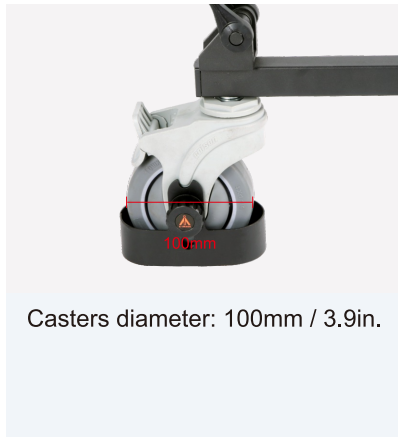
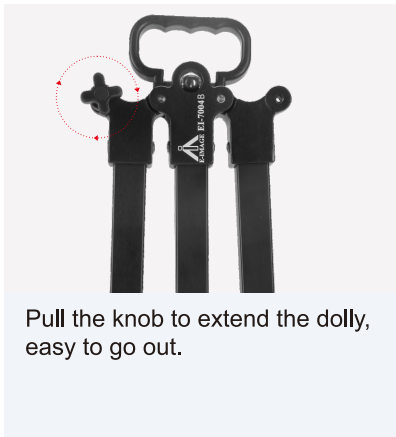
Model	GH20
 Payload Range	20.0kg / 44.0lbs
 Counterbalance Range	0-8
 Grades Of Pan Drag	Fixed
 Grades Of Tilt Drag	Fixed
 Tilt Range	-60°/+90°
 Temperature Range	-30°C~+60°C
 Bowl Size	100mm
 Net Weight	3.5kg / 7.7lbs

EI-7004B Video Dolly

Super sturdy, designed for heavy duty systems. The 100mm/4 inch wheels can be individually braked.



FEATURES





The magic life in the image world



E-IMAGE

GB3 Pan bar

Telescopic pan bar for GH08L, GH10L, GH15, GH25 heads



SPECIFICATIONS

 Length range	405-605mm / 15.9-23.8in
 Net weight	385g / 0.8lbs