

P2P Interview System with 2 x Professional High Bright Teleprompter With 3G-SDI



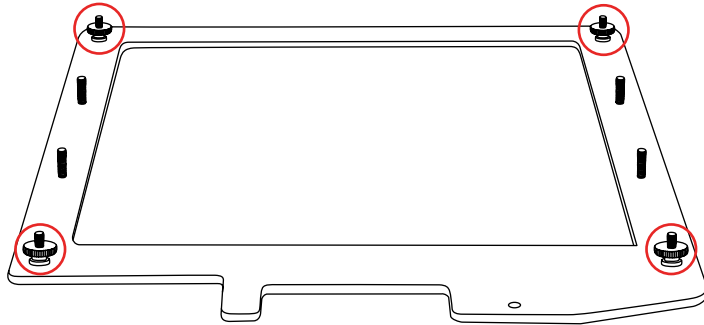
What's Included

- 2 x Teleprompter Base
- 2 x Bracket with Glass
- 2 x Teleprompter Hood with Boot
- 2 x Monitors
- 2 x AC Adapters with Cord
- 2 x 25 ft. 3G-SDI Cables
- 2 x PrompterPro Software
- 2 x Counterweight Set (2 x 2.5 lbs)
- 4 x D-Ring ¼-20" Screws
- 4 x Hex Keys
- 6 x Height Risers (3 per unit)

Teleprompter Assmebly Setup

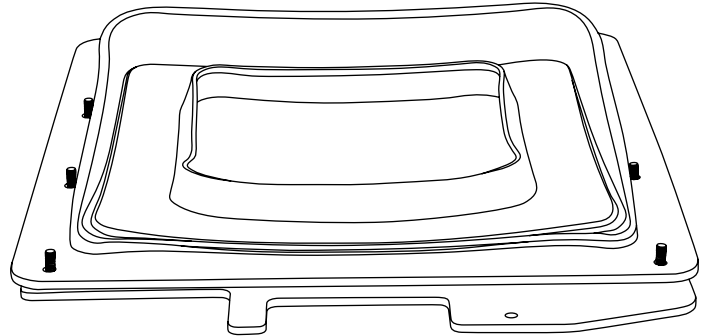
Step 1

Place the teleprompter glass frame on a flat surface and remove the four screws as shown.



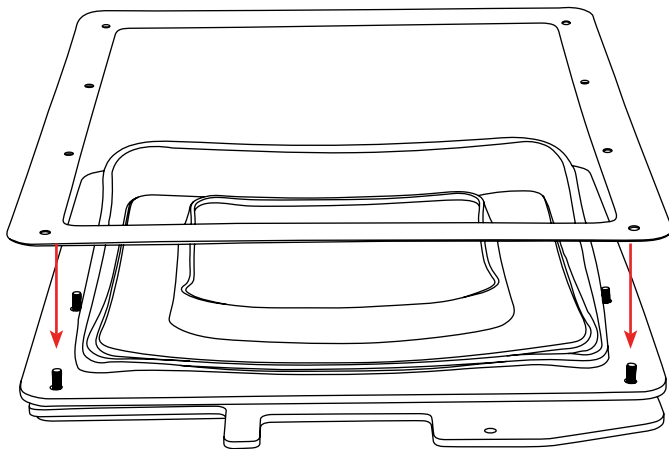
Step 2

Align and attach the teleprompter hood with the 8 screw pegs from the teleprompter frame.



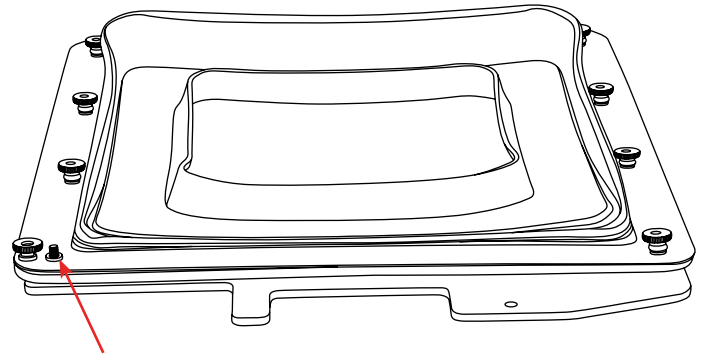
Step 3

The metal frame is directional. Make sure the thicker side is on top and the slimmer side is on the bottom.



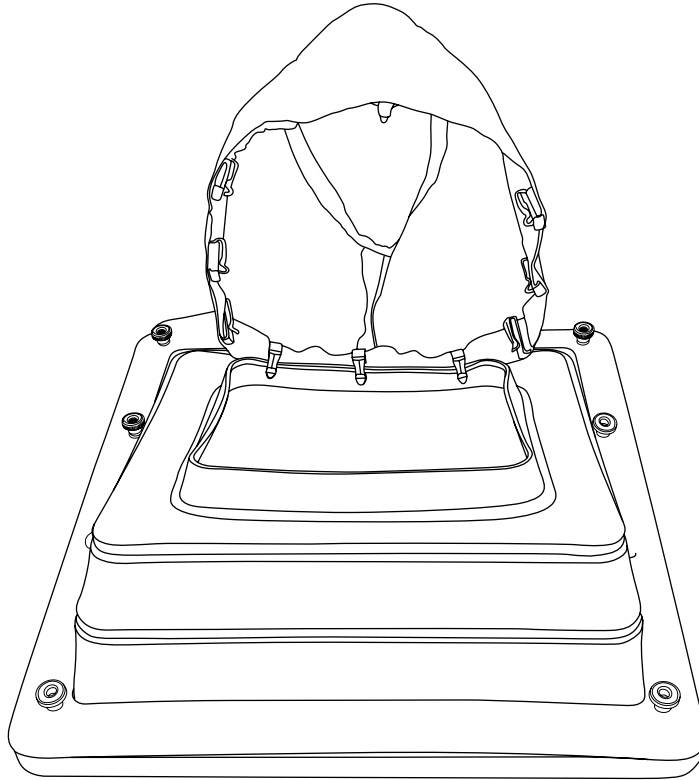
Step 4

Put the washers on before tightening the screws. The washers and 4 additional screws are inside a bag on the bottom foam.



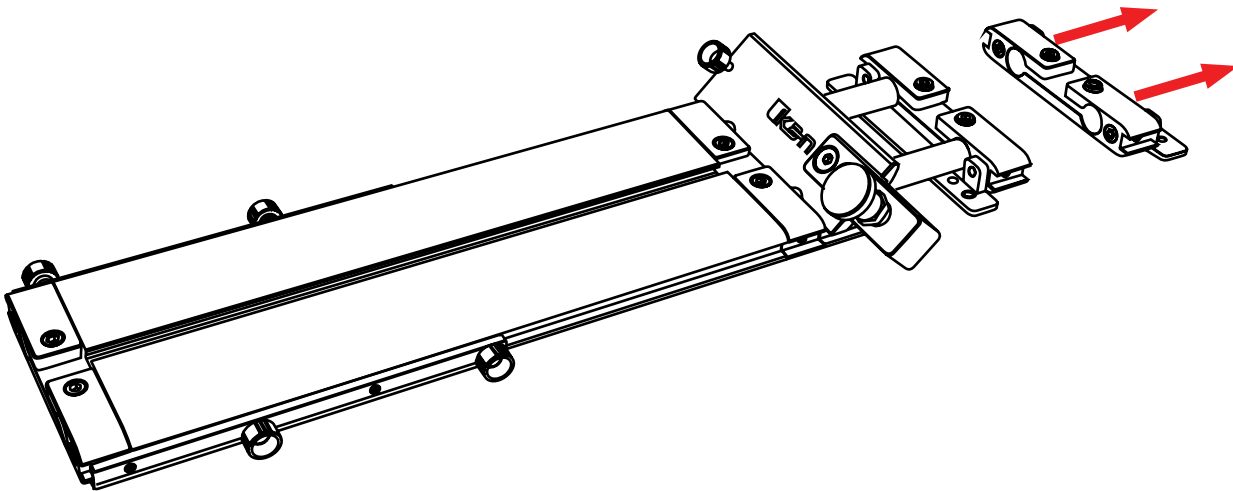
Step 5

Extend the teleprompter hood open and attach teleprompter boot using the clips. It is suggested to align the seam with the bottom of the teleprompter hood.



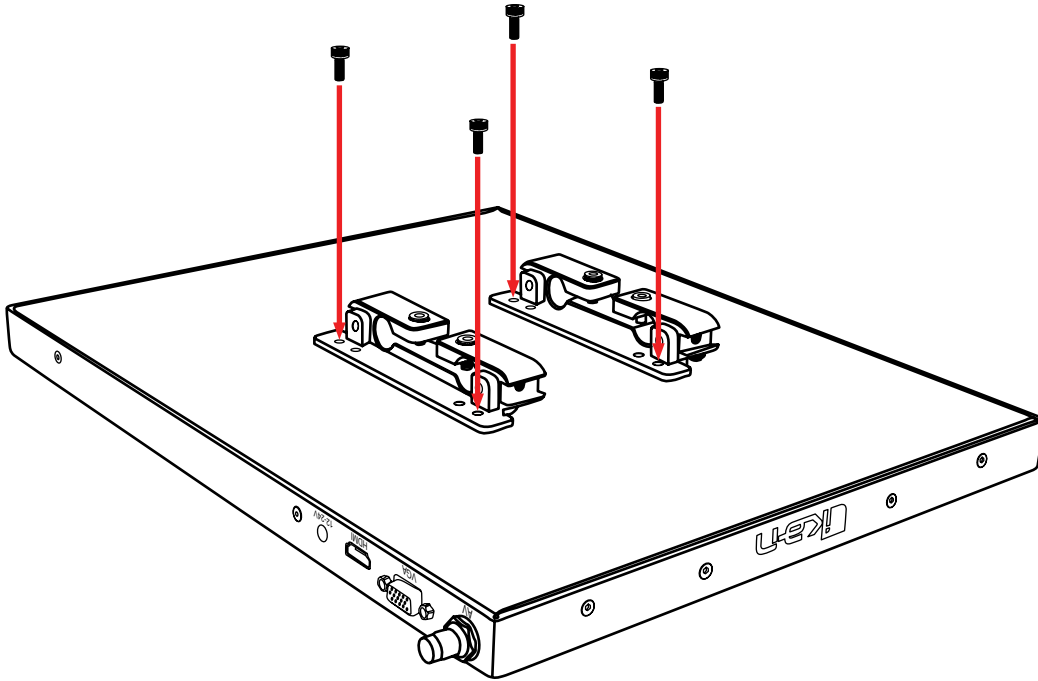
Step 6

Remove the monitor mounts from the teleprompter base using the included larger 4mm hex key to loosen from the 15mm rods.



Step 7

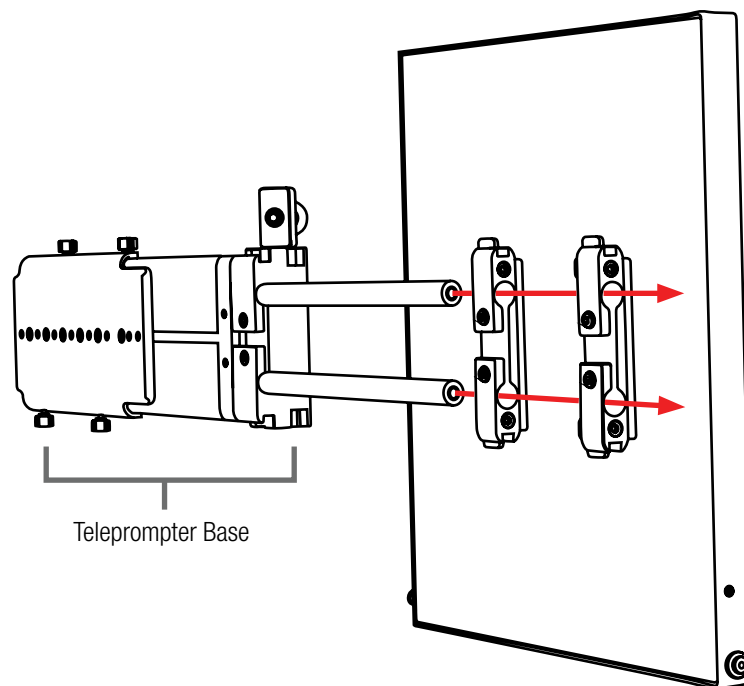
Attach the monitor mounts on the back of the monitor's VESA compatible threads using the 4 included screws and provided 2mm hex key.



Step 8

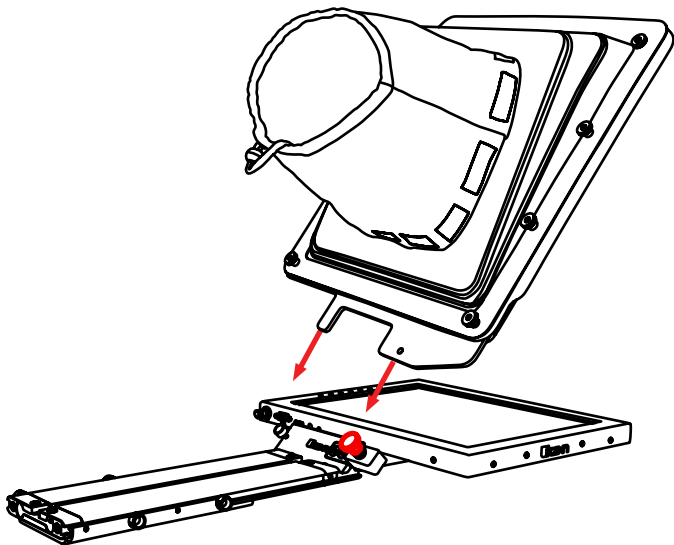
After the monitor mounts are attached, adjust the 15mm rods to accommodate the monitor. Leave about 1 inch of room for the teleprompter bracket. Make sure the 15mm rods go through both set of monitor mounts. Please ensure that all screws are properly tightened after inserting the monitor.

SAFETY NOTE Make sure to leave at least 2 inches of the rods inside the teleprompter base.



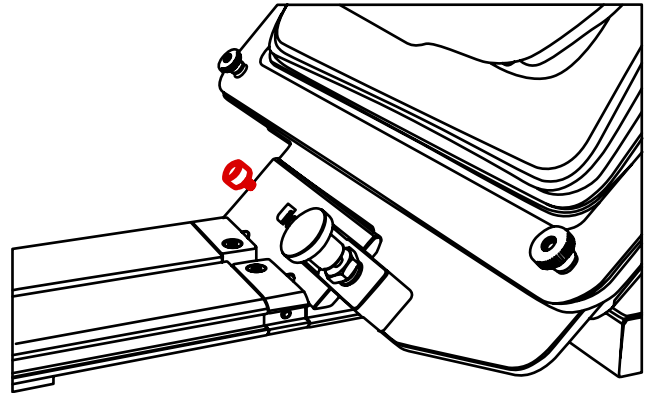
Step 9

While sliding the teleprompter bracket into the slot of the teleprompter base pull on the red knob to allow the bracket to fully slide in.



Step 10

Once the bracket is in place, tighten the side screw to lock in place. Double check and make sure all the screws are tightened with the included hex keys.

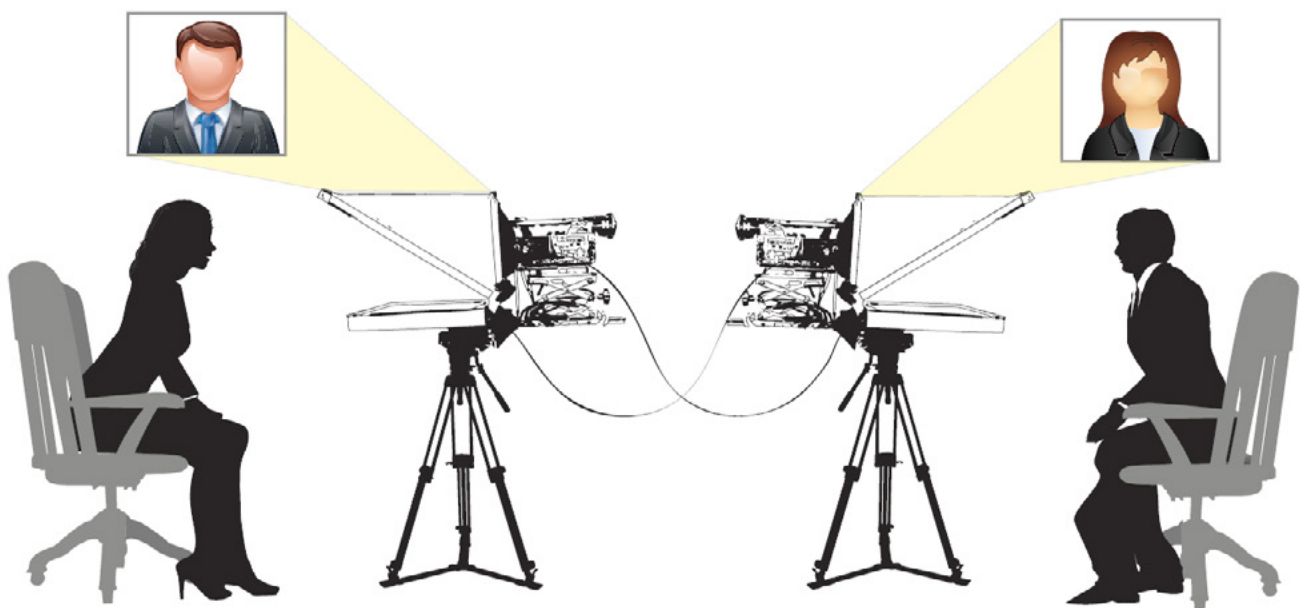


Step 11 (optional)

Should the teleprompter be too front heavy, you can attach the included counter weight on the back of the teleprompter base.

Step 12: P2P Interview/Interviewee Setup

After both teleprompters have been setup and placed on tripods/pedestals, using one of the HDMI cables connect it to the camera on teleprompter 1 (interviewer) to the HDMI input port of monitor on teleprompter 2 (interviewee). Using the other HDMI cable connect it to the camera of teleprompter 2 (interviewee) to the HDMI input port of monitor on teleprompter 1 (interviewer).



Foam Case

To make your teleprompter more portable, we packed it in a reusable, high-quality foam. The shape and size of the foam was designed to fit into Ikan's PT-CASE-V2.



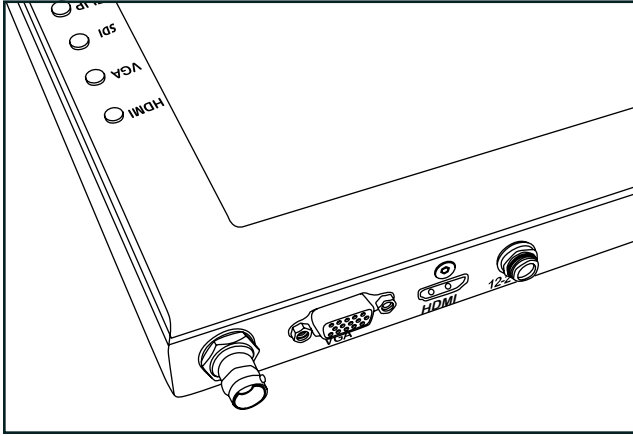
**** DO NOT THROW AWAY FOAM CASE ****

Watch our VIDEO TUTORIAL on how to assemble Ikan Professional Teleprompters:

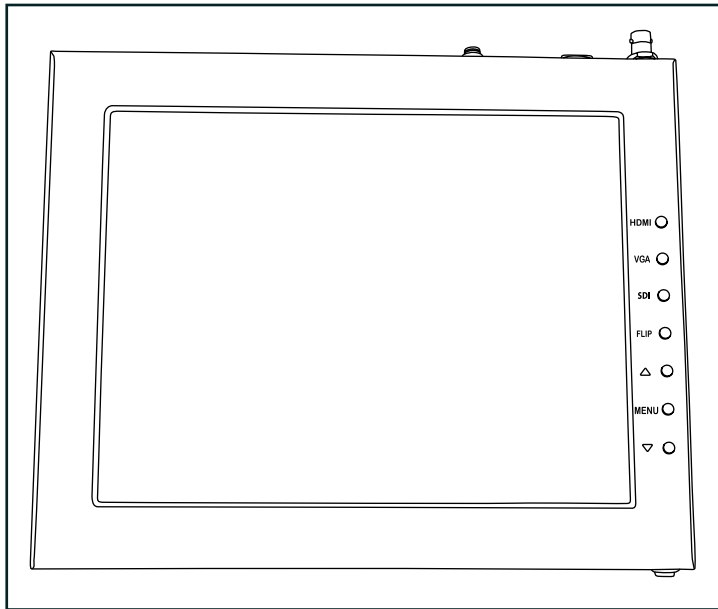
https://youtu.be/5TjlxzBc_Vc



Monitor Ports



3G-SDI – Serial Digital Interface Connection
VGA – Video Graphics Array DE15 Connection
HDMI – High-Definition Multimedia Interface Input Connection
Power Port – 12-24v Input



HDMI – Switch HDMI input
VGA – Switch to VGA input
SDI – Switch to 3G-SDI input
Flip – Toggle image flip
(Can be set to horizontal, vertical, or both via menu)
Up Arrow – Toggle up to adjust setting
Menu – Access to monitor settings
Down Arrow – Toggle down to adjust setting

Monitor Menu Settings

Video Config

- Contrast (White Level)
- Brightness (Black Level)
- Tint (Chroma Hue)
- Chroma (Chroma Saturation)
- Sharpness (Detail)
- RGB Setup – Manually configure RGB
- Return

System Config

- Menu Duration – Set duration of how long menu stays on screen
- Video Ratio – Set screen aspect ratio 16:9 or 4:3 (4:3 is native resolution, 16:9 will create black bars)
- Flip-H – Assign toggle button to flip image horizontally
- Flip-V – Assign toggle button to flip image vertically
- Reset – Factory reset
- Return

PC Setup (Only available for VGA)

- H-Position – Adjust horizontal position
- V-Position – Adjust vertical position
- Auto – Monitor automatically adjust position
- Return

Exit

How to set-up FLIP button feature:

1. Press MENU button
2. Navigate to SYSTEM CONFIG.
3. Navigate to FLIP-V or FLIP-H
4. Change FLIP-V and/or FLIP-H to "ON"
5. Exit MENU
6. The FLIP button should now be activated and can be pressed to mirror the image Horizontally or Vertically
7. When FLIP-H is ON, the image will flip Horizontally
8. When FLIP-V is ON, the image will flip Vertically
9. If both are ON, the FLIP button will toggle both Horizontal and Vertical flip

Specifications

PT4500-SDI

Aspect Ratio	4:3
Backlight	LED
Brightness	1000 nits
Build Material	Aluminum
Diagonal	15"
Input Signal	3G-SDI, VGA, HDMI
Input Voltage	DC 12v / 4A
Power Consumption	10W
Reading Range	17'
Resolution	1280 x 1024
Viewing Angle	160° (H) / 170° (V)
Weight	22 lb
Shipping Weight	28 lb
Shipping Dimensions	25 x 20 x 15.5 in

PT4700-SDI

Aspect Ratio	4:3
Backlight	LED
Brightness	1000 nits
Build Material	Aluminum
Diagonal	17"
Input Signal	3G-SDI, VGA, HDMI
Input Voltage	DC 12v / 4A
Power Consumption	10W
Reading Range	20'
Resolution	1280 x 1024
Viewing Angle	160° (H) / 170° (V)
Weight	23 lb
Shipping Weight	29 lb
Shipping Dimensions	25 x 20 x 15.5 in

Optional Accessories

- PT4500-G** Replacement Glass for both PT4500 / PT4700
- PT15-SDI** 15" High Bright Monitor with 3G-SDI (for PT4500-SDI)
- PT17-SDI** 17" High Bright Monitor with 3G-SDI (for PT4700-SDI)
- PT-CASE-V2** Rolling Hard Case for PT4500/PT4700 Teleprompter



Learn More

More dynamic information at official website: www.ikancorp.com

Support

Contact email: support@ikancorp.com

CONDITIONS OF WARRANTY SERVICE

- Free service for one year from the day of purchase if the problem is caused by manufacturing errors.
- The components and maintenance service fee will be charged if the warranty period is expired.

Free Service will not be Provided in the Following Situations:(*Even if the product is still within the warranty period.)

- Damage caused by abuse or misuse, dismantling, or changes to the product not made by the company.
- Damage caused by natural disaster, abnormal voltage, and environmental factors, etc.

©2021 Ikan International. All rights reserved.

