

Thank you for purchasing:

PROSOACOUSTIC WAVEPro Panels

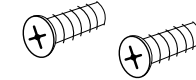
INCLUDED ITEMS PER PANEL



A: WAVEPro Panel

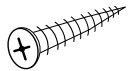


B: 18" Z-Clips (x2)

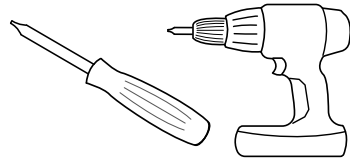


C: Machine Screws (x2)

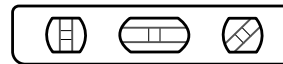
RECOMMENDED ADDITIONAL INSTALLATION MATERIALS (Not Included)



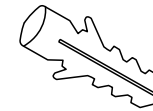
Wood/Drywall Screws



Screwdriver/Power Drill



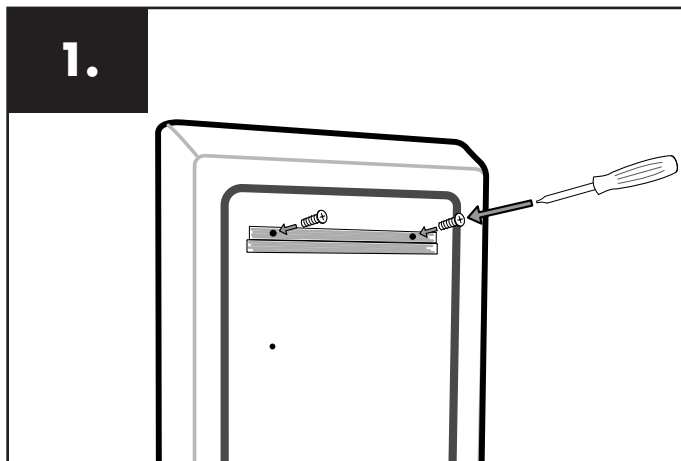
Carpenter's Level



Drywall Anchors

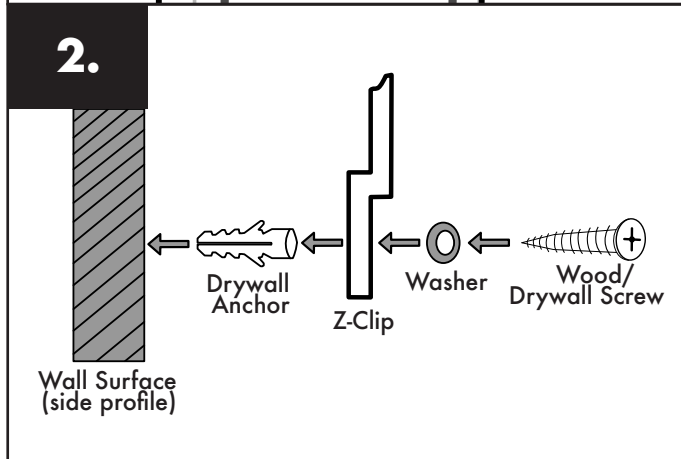
General Guidelines

- It is recommended to wear clean gloves to ensure fabric remains clean during installation.
- Only handle the exterior sides of your Wave Pro panel to keep fabric taut.
- When cleaning, DO NOT VACUUM. Clean with a lint roller to ensure quality of fabric.
- Since wall materials vary, screws/accessories for fixing to the wall are not included. For advice on suitable screw systems, contact your local specialized dealer.



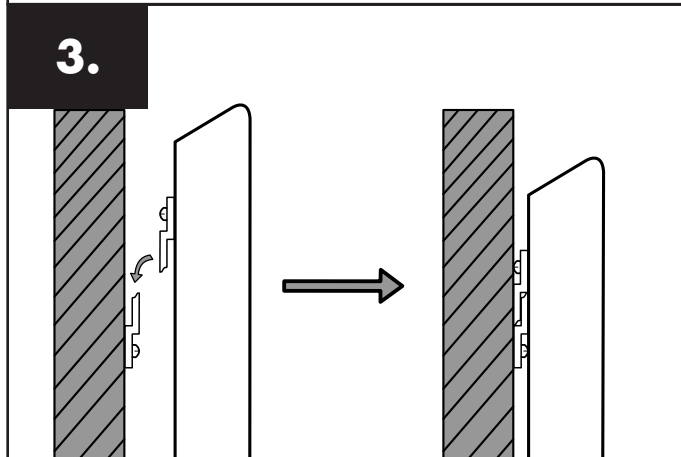
1. Attach a Z-Clip to your WAVEPro Panel by screwing the included Machine Screws into your preferred pre-drilled machine screw inserts (for vertical or horizontal placement). The part of the Z-Clip that lays flat against the panel should be on the top.

*If you purchased additional Z-Clips to add security to the bottom of the panel, repeat the process for the additional Z-Clip set.



2. Attach the remaining Z-Clip to the wall using the appropriate screws/wall anchors. The part of the Z-Clip that lays flat against the wall should be on the bottom. It is recommended to position Z-Clips on the wall using a laser/carpenter's level or chalk line to ensure an even install.

*Where possible, screw into a stud or other internal wall structure.

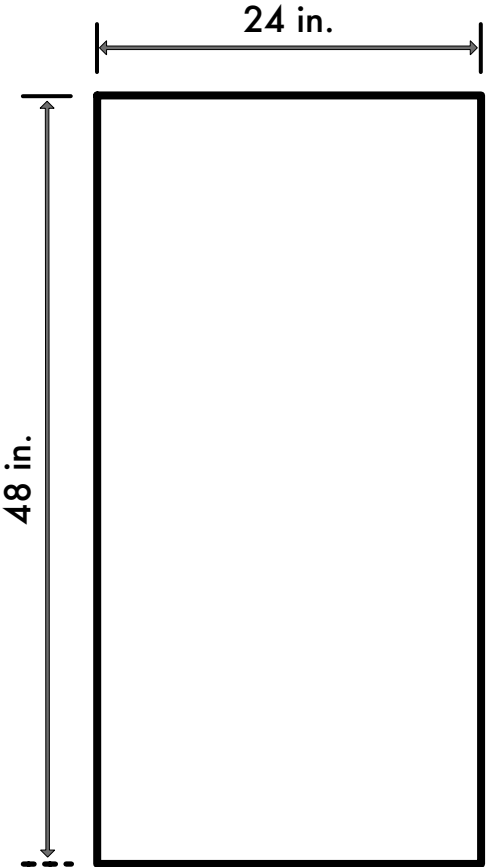


3. When all Z-Clips are installed, position your WAVEPro Panel against the wall with the panel's Z-Clip slightly higher than the wall's Z-Clip, then slide the panel down until the clips are secure.

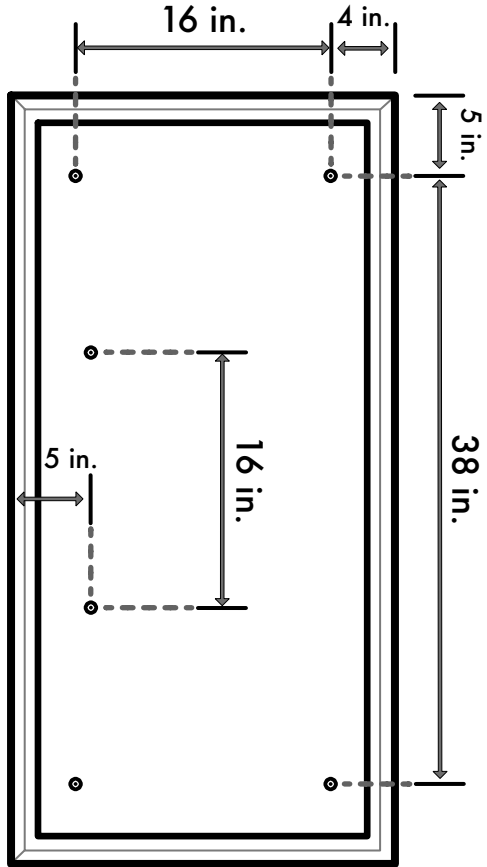
*For added security on a permanent installation, add a dab of RTV adhesive in the Z-Clip track before mounting.

WAVEPRO PANEL DIMENSIONS

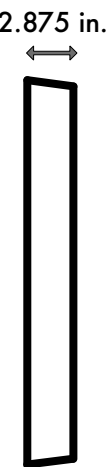
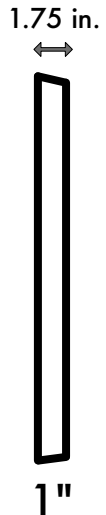
SCALE - 1:12



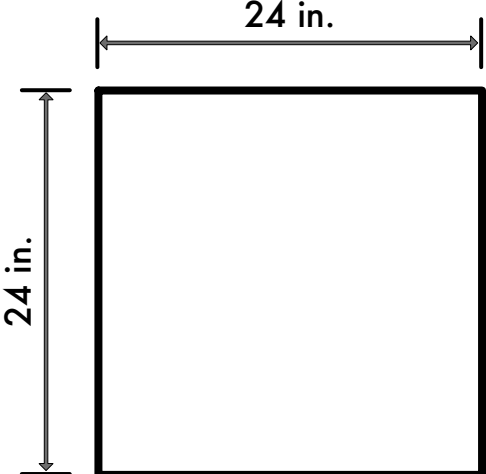
2x4 FRONT



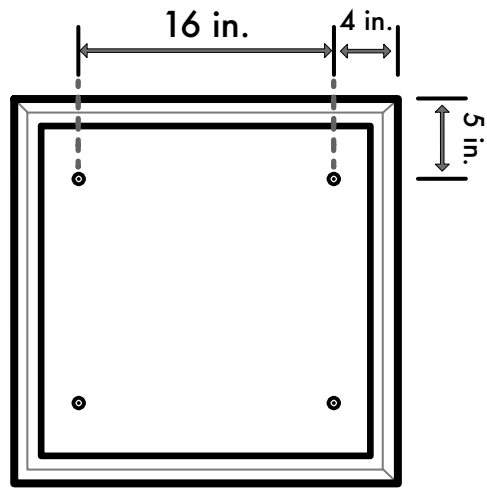
2x4 BACK



2" SIDE



2x2 FRONT



2x2 BACK

FABRIC REPLACEMENT

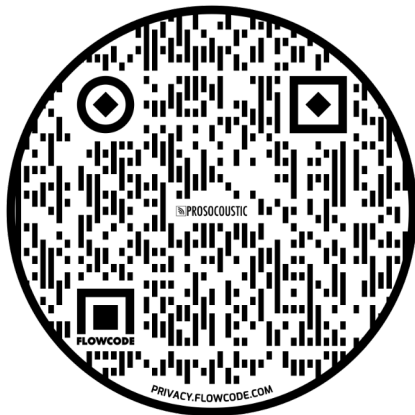
ProSoCoustic WAVEPro Panels use a screen spline insert to hold fabric in place and provide proper fabric tensioning. The inserted screen spline can be taken out for easy replacement of fabric.

Replace fabric if:

- Old fabric becomes damaged over time
- A color change is desired
- You want a custom-printed image made to turn your WAVEPro Panel into art

ProSoCoustic offers the option to sew screen spline directly into the fabric for an extremely simple fabric reinstallation. Safely store fabric in a weather-resistant, clean area and change your WAVEPro Panel's aesthetic as often as you want!

For more details, please visit www.prosocoustic.com/videos



For installation videos on wall mounting, ceiling mounting, and fabric replacement scan the QR Code



© 2022 ProSoCoustic. All Rights Reserved.
ProSoCoustic is owned and operated by Full Scale AV, a division of Techrep Marketing LLC.

Designed and Manufactured in North Canton, Ohio
ProSoCoustic/Full Scale AV
701 Murfreesboro Pike, Suite 200
Nashville, TN 37210
www.prosocoustic.com