

# BOOMX-D

2.4G Digital 1-Trigger-2 Wireless Microphone



**User Manual**

## Foreword

Thanks for purchasing COMICA BoomX-D 2.4G Digital 1-Trigger-2 Wireless Microphone.

To ensure bring you a good using experience, please read this manual book carefully before using and correctly install and operate.

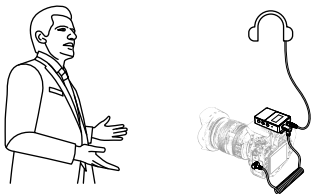
## Main Features

- . 2.4G Digital Wireless, Global Free Frequency
- . Dual Transmitters Triggered by One Receiver
- . Visual Power, Audio Dynamic Monitor and Other Display Functions
- . Internal and External MIC Two Input Modes
- . Mono/Stereo Switchable Output Modes
- . Real-time Audio Monitor
- . Broadcasting Quality Audio
- . RF Technology, Auto Freq. Adjustment, Stable Transmission
- . Low Latency < 20ms
- . Working Range Up to 50m
- . Designed with Multi-functional Belt Clip and Compact

## Notice

- ⚠ Due to 2.4G wireless characteristics, please keep face to face when use it, and don't turn your back to the receiver, otherwise it is easy to generate breakpoints, which is a normal phenomenon.
- ⚠ Don't block the antenna position to avoid any poor signal generated.
- ⚠ Please attention that it can not realize STEREO function when in one-trigger-one mode.
- ⚠ When using on mobile phone, please turn off WIFI and Bluetooth to avoid 2.4G wireless interference.
- ⚠ This product belongs to high-precision instruments, please avoid falling, collision or pounding.
- ⚠ Do not use this equipment in the vicinity of heat source or interference source, such as radiator, oven, refrigerator or air conditioner, smartphone or next to the WIFI AP.
- ⚠ If the pick-up distance is close or when used outdoors, please put on the wind muff to prevent sound burst or reduce wind noise.
- ⚠ Do not use the equipment in rain or in a damp environment to avoid short-circuit danger.
- ⚠ Please keep the product in a dry environment.

Please keep face to face when use it, and don't turn your back to the receiver, otherwise it is easy to generate breakpoints.

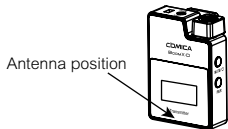


Face to receiver (correct)

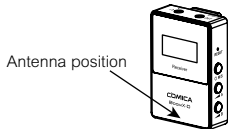


Back to receiver (incorrect)

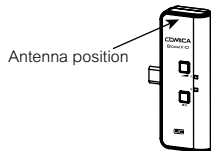
Don't block the antenna position to avoid any poor signal generated.



Transmitter(TX)



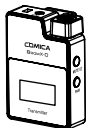
Receiver (RX)



UC Receiver (UC RX)

## Packing List

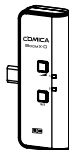
### Main Parts:



Transmitter(TX)



Receiver (RX)



UC Receiver (UC RX)

### Multiple Selections:



D1 = TX + RX



D2 = TX + TX + RX



UC1 = TX + UC RX



UC2 = TX + TX + UC RX

## Accessories:

- ① 3.5mm Mic Audio Input Cable
- ② Wind Muff
- ③ 3.5mm TRS-TRRS Audio Cable
- ④ 3.5mm TRS-TRS Audio Cable
- ⑤ USB A-USB C Charging Cable
- ⑥ Reset Pin
- ⑦ User Manual
- ⑧ Warranty Card



The accessories of each combination include:

$$D1 = ① + ② + ③ + ④ + ⑤ + ⑥ + ⑦ + ⑧$$

$$D2 = ① \times 2 + ② \times 2 + ③ + ④ + ⑤ + ⑥ + ⑦ + ⑧$$

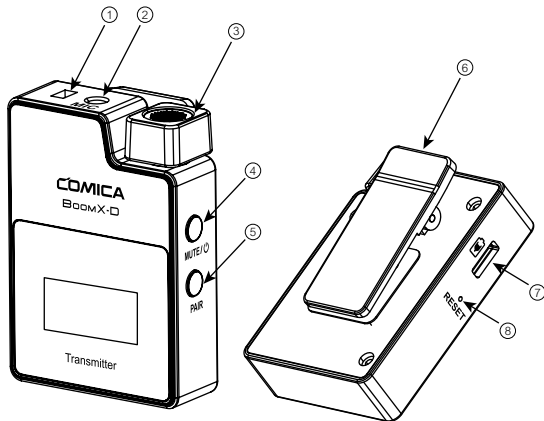
$$UC1 = ① + ② + ⑤ + ⑥ + ⑦ + ⑧$$

$$UC2 = ① \times 2 + ② \times 2 + ⑤ + ⑥ + ⑦ + ⑧$$

## Components and Instruction

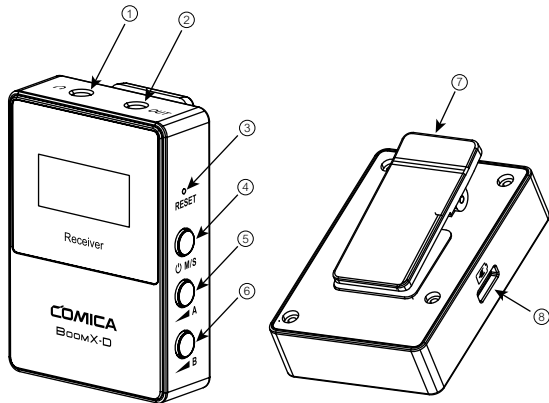
### Transmitter (TX)

1. External Mic Locking Buckle
2. 3.5mm TRS Port of External Mic
3. Internal Mic
4. Power / Muting Button
5. Pair Button
6. Belt Clip
7. USB-C Charging Port
8. Reset Hole



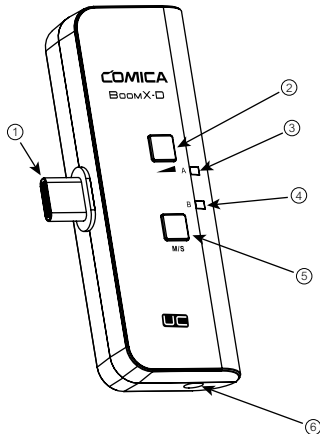
## Receiver (RX)

1. 3.5mm TRS/TRRS Monitoring Headphone Port
2. 3.5mm TRS Audio Input Port
3. Reset Hole
4. Power and M/S Button
5. A Channel Output Gain Control Button
6. B Channel Output Gain Control Button
7. Belt Clip
8. USB-C Charging Port



## UC Receiver (UC RX)

1. USB-C Connector
2. Output Volume Adjustment Button
3. Group A Working Status Indicator
4. Group B Working Status Indicator
5. M/S Adjustment Button
6. 3.5mm TRS/TRRS Monitoring Headphone Port



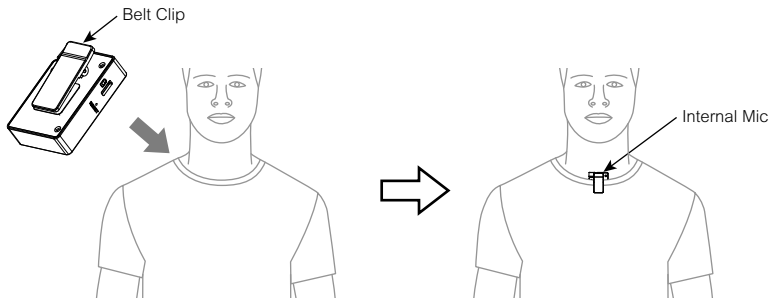


## Installation

### Transmitter (TX)

#### 1. Use internal microphone :

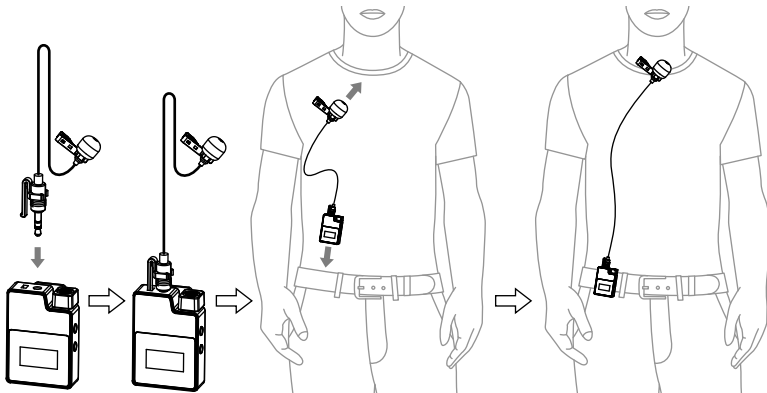
Install the transmitter on the collar through the belt clip so that the internal microphone points in the direction of the sound source.



👉 For better concealment during use, it is recommended that the belt clip be fixed and used outwards.

## 2. Use external microphone:

Insert the 3.5mm TRS microphone input cable into the transmitter's 3.5mm TRS external microphone port and tighten it, then clip the transmitter to the belt through the belt clip and clip the lavalier microphone to your collar.

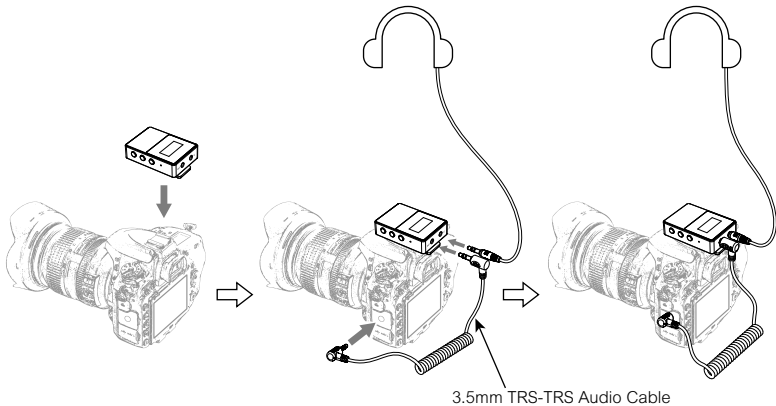


👉 When using an external microphone, the internal microphone is automatically turned off.

## Receiver (RX)

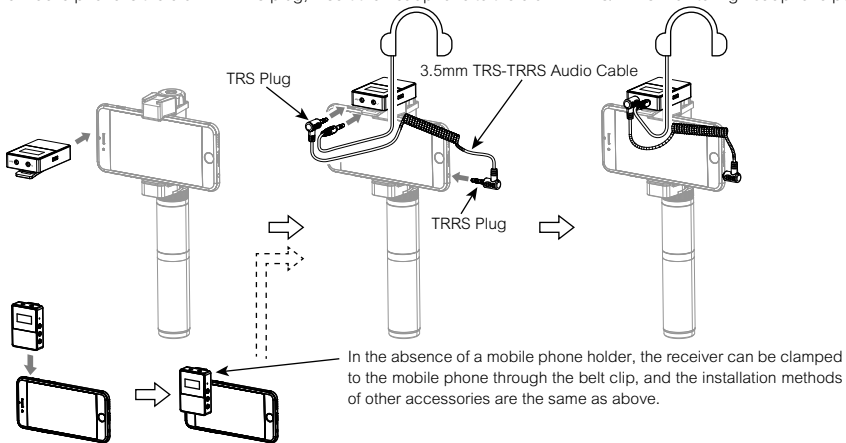
### 1. Work with Camera:

Fix the receiver through the belt clip to the camera's hot shoe mount, then connect the receiver with camera through the 3.5mm TRS-TRS audio cable; Insert the headphone into the monitoring headphone port for monitoring.



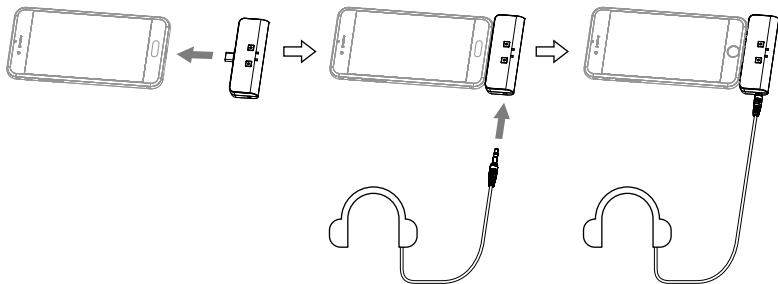
## 2. Work with Smartphone:

Clip the receiver to the cold shoe mount through the belt clip; Connect the receiver with the mobile phone through the 3.5mm TRS-TRRS audio cable and pay attention to the access to the audio output jack of the receiver is the 3.5mm TRS plug, and the access to the mobile phone is the 3.5mm TRRS plug; Insert the headphone to the 3.5 mm TRS/TRRS monitoring headphone port for monitoring.



## UC Receiver (UC RX)

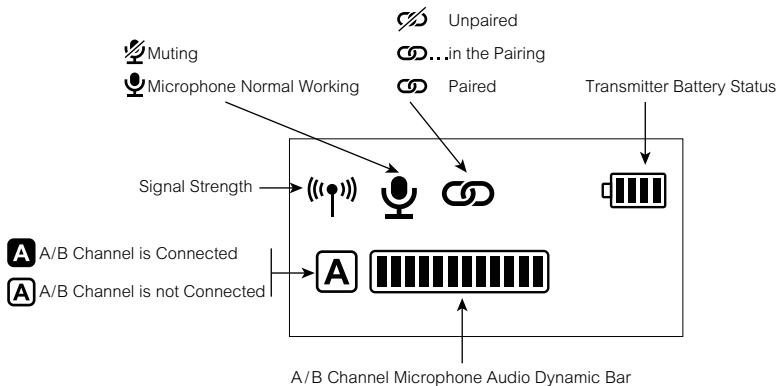
Insert the UC receiver (UC RX) into the USB-C port of the phone; Insert the headphone into the 3.5 mm TRS/TRRS monitoring headphone port for monitoring.



## Function and Usage

### Transmitter (TX)

#### 1. Screen Display Instruction:



## 2.Function Introduction:

### 2.1. Power/Muting Button

Long press for On/Off; Shot press for muting switch( Muting switch is available only when the screen is on, if the screen is dimmed, press any button to light up the screen then switch the mute).



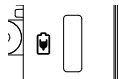
### 2.2. Pair Button

Long press for pairing with receiver (Pairing switch is available only when the screen is on, if the screen is dimmed, press any button to light up the screen then pairing).



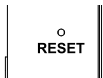
### 2.3. USB-C Charging Port

Connect the transmitter with the power through the USB A-USB C charging cable to charge.



## 2.4. Reset Hole

If there is a abnormal phenomenon such as the device is crash or unable to turn on it, then insert the reset pin into the reset hole to reset it.



## 2.5. 3.5mm TRS Microphone Port

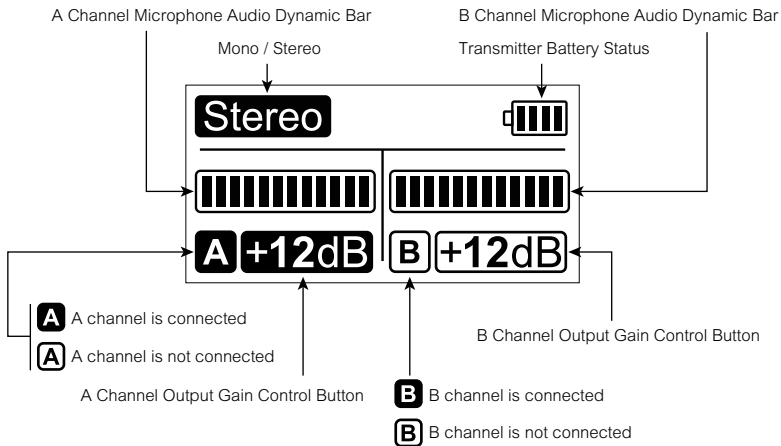
Insert the 3.5mm TRS microphone input cable, and you can use the external lavalier microphone for recording. At this time, the internal microphone of this device is turned off.





# Receiver (RX)

## 1. Screen Display Instruction:



## 2.Function Introduction:

### 2.1. Reset Hole

If there is a abnormal phenomenon such as the device is crash or unable to turn on it, then insert the reset pin into the reset hole to reset it.



### 2.2. Power and M/S Button

Long press for On/Off; Shot press for mono and stereo mode switch. Please attention that it can not realize STEREO function when in one-trigger-one mode.

(Mono/Stereo switch is available only when the screen is on, if the screen is dimmed, press any button to light up the screen then switch the M/S)



### 2.3. A/B Channel Output Volume Adjustment Button

Short press to cyclically adjust the A/ B channel output Volume. It can independently adjust even in the mono mode and is generally adjusted to the consistent output Volume when in use. (The output Volume adjustment is available only when the screen is on, and if the screen is dimmed, press any button to light up the screen and then adjust again).



## 2.4. USB-C Charging Port

Connect the receiver with the power through the USB A-USB C charging cable to charge.



## 2.5. 3.5mm TRS Audio Output Port

Connect with mobile phone through the 3.5mm TRS-TRRS audio cable; Connect with camera through the 3.5mm TRS-TRS audio cable.



## 2.6. 3.5mm TRS/TRRS Monitor Headphone Port

Insert headphone to monitor.



## UC Receiver (UC RX)

### Function Introduction:

#### 1. USB-C Plug

Insert into the USB-C port of phone to use.



#### 2. Output Volume Adjustment Button

Short press to cyclically adjust the Volume, and A/B channel is synchronized.



#### 3. M/S Button

Shot press for Mono/Stereo switch.



#### 4. A/B Working Status Indicator

The indicator is red when unpaired; After paired, the indicator is blue when it's Mono and is purple when it's Stereo.

A

B

#### 5. 3.5mm TRS/TRRS Monitoring Headphone Port

Insert headphone to monitor.



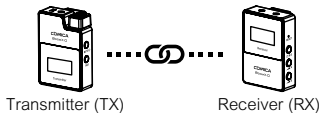
## Pairing Method

(All have been paired at the factory. If you need to re-pair, please follow the description)

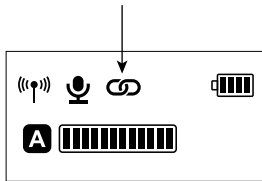
### One-trigger-one:

Turn on the transmitter and receiver within one meter, and then press the pair button for pairing when the transmitter screen is highlighted.

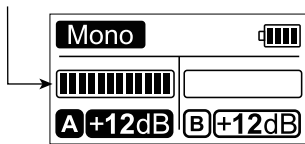
The transmitter (TX) is pairing with the receiver (RX)



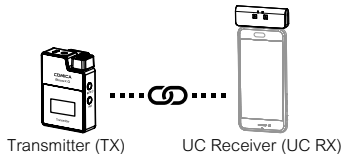
The screen icon changes from  to  after pairing



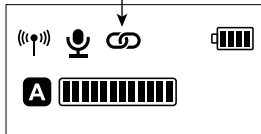
The microphone audio dynamic bar is available after pairing



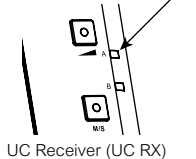
The transmitter (TX) is pairing with UC Receiver (UC RX)



The screen icon changes from  to  after pairing



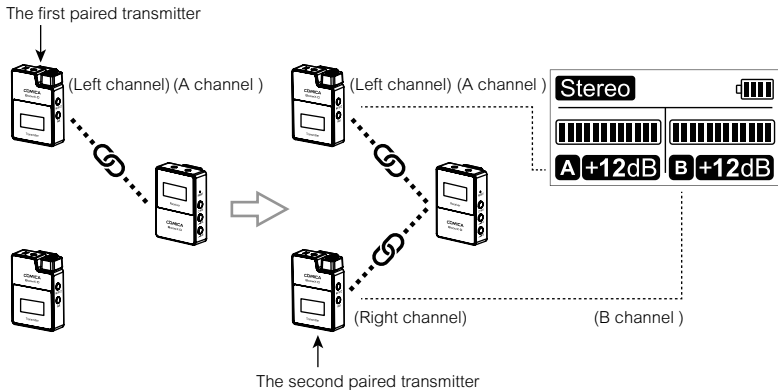
The channel indicator on the UC receiver (UC RX) changes from red to blue or purple after pairing.



## One-trigger-two:

Turn on the transmitter and receiver within one meter, and then long press the pair button of one transmitter to pair the receiver when the transmitter screen is highlighted. After the pairing is successful, the receiver will designate the first paired transmitter as channel A. Then long press the pair button of the second transmitter for pairing, and the receiver will designate the second paired transmitter as channel B after the pairing is successful. Channel A is the left channel, channel B is the right channel.

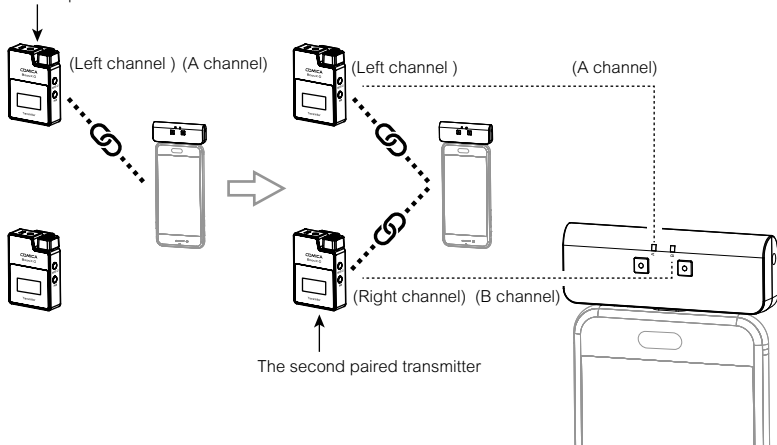
Two transmitters (TX) are pairing with Receiver (RX)





Two transmitters (TX) are pairing with UC Receiver (UC RX)

The first paired transmitter



## Specification

### Transmitter (TX)

|                              |                                     |
|------------------------------|-------------------------------------|
| Wireless Band                | 2400 ~ 2483.5MHz                    |
| Transmitting Power           | +10dBm                              |
| Receiving Sensitivity        | -86dBm                              |
| Antenna                      | PCB Antenna                         |
| Polar Pattern                | Omnidirectional                     |
| Frequency Response           | 80Hz ~ 20kHz                        |
| Sound Delay                  | <20ms                               |
| External Mic Input Interface | 3.5mm TRS                           |
| Battery                      | Built-in Li-ion Battery 300mAh 3.7V |
| Battery Life                 | 5 Hours                             |
| Net Weight                   | 29g                                 |
| Dimension                    | 39 x 22 x 55mm                      |
| Operating Temperature        | 0°C ~ 50°C                          |

## Receiver (RX)

|                        |                                     |
|------------------------|-------------------------------------|
| Wireless Band          | 2400 ~ 2483.5MHz                    |
| Transmitting Power     | +10dBm                              |
| Receiving Sensitivity  | -86dBm                              |
| Antenna                | PCB Antenna                         |
| Audio Output Amplitude | +0dB ~ +12dB                        |
| Sound Delay            | <20ms                               |
| Audio Output Interface | 3.5mm TRS                           |
| Monitor Interface      | 3.5mm TRS/TRRS                      |
| Battery                | Built-in Li-ion Battery 300mAh 3.7V |
| Battery Life           | 5 Hours                             |
| Net Weight             | 29g                                 |
| Dimension              | 39 x 22 x 55mm                      |
| Operating Temperature  | 0°C ~ 50°C                          |

## UC Receiver (UC RX)

|                        |                  |
|------------------------|------------------|
| Wireless Band          | 2400 ~ 2483.5MHz |
| Transmitting Power     | +10dBm           |
| Receiving Sensitivity  | -86dBm           |
| Antenna                | PCB Antenna      |
| Audio Output Amplitude | +0dB ~ +12dB     |
| Sound Delay            | <20ms            |
| Data Interface         | USB-C            |
| Monitoring Interface   | 3.5mm TRS/TRRS   |
| Net Weight             | 19g              |
| Dimension              | 33 x 13 x 70mm   |
| Operating Temperature  | 0°C ~ 50°C       |



# BOOMX-D

2.4G数字无线一拖二麦克风



用户使用手册



[www.comica-audio.com](http://www.comica-audio.com)

Email: [support@comica-audio.com](mailto:support@comica-audio.com)

The COMICA LOGO is trademark which is registered and owned by Commlite Technology Co.,Ltd