

## PID9

# Housings: Indoor Recessed Ceiling

### PRODUCT FEATURES

- The model PID9 is a discreet indoor recessed surveillance enclosure designed to mount into a drop ceiling tile or sheet rock ceiling
- This unit completely encloses the unitized camera, resulting in discreet viewing.
- Designed for the WV-CS954/WV-CS574/WV-NS324 Series cameras

### MECHANICAL SPECIFICATIONS

#### **Size (HxWxD):**

8.4" x 8.4" x 6.6" (214mm x 214mm x 168mm)

Weight: 3.5 lbs. (1.6 kg) without camera

#### **Construction:**

Metal back box: 18- and 20-gauge steel, w/black powder coat finish

Support Arms: 18-gauge Galvanized steel

Decorative Trim Ring: ABS Plastic, off-white

Electrical Input: (3) .875" knockouts

### STANDARD ACCESSORIES

- 1 pc. PID9 Instructions
- 4 pc. 8-32 Phillips head screws
- 4 pc. Star washers for mount camera
- 4 pc. 1" long aluminum standoffs

### SHIPPING

PID9: 4 lbs / 9" x 9" x 9"

(1.8 kg / 229mm x 229mm x 229mm)



*camera not included*

### DESCRIPTION

The **PID9** is an attractive, low-profile recessed ceiling mount unit. The **PID9** is easy to install, and works with the WV-CS954/WV-CS574/WV-NS324 Series cameras.

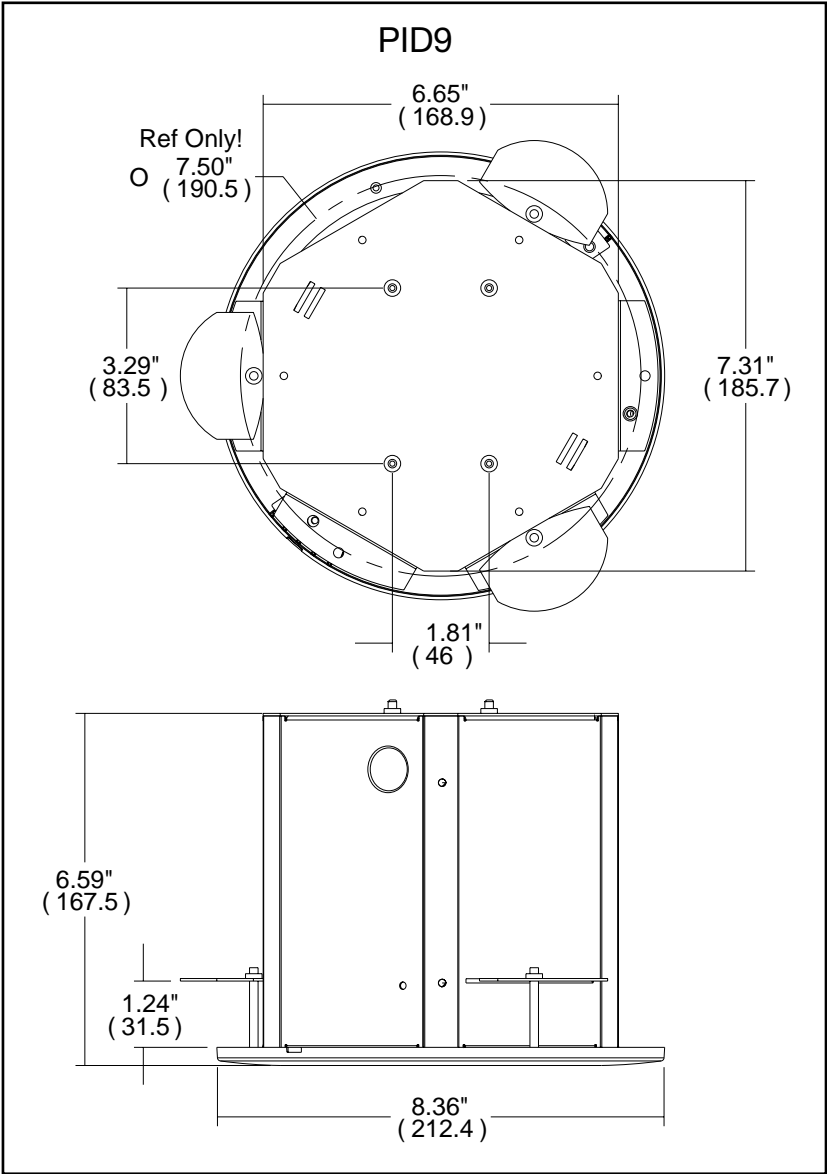


**Panasonic ideas for life**

**BID SPECIFICATIONS**

The recessed ceiling housing shall be a Panasonic Model PID9 or equivalent. The housing shall be designed for a discreet indoor surveillance enclosure, designed to

mount into sheet rock and suspended ceilings. The housing shall be designed for use with Panasonic Unitized Surveillance Device Series WV-CS954/WV-CS574/WV-NS324.



**Panasonic ideas for life**

DISTRIBUTED BY:

**Panasonic System Solutions Company**  
 Unit of Panasonic Corporation of North America  
**Security Systems**  
 Executive Office: Three Panasonic Way, Secaucus, NJ 07094  
 Zone Offices:  
 Eastern: Three Panasonic Way, Secaucus, NJ 07094 (201) 392-4546  
 Southern: 1225 Northbrook Parkway, Suwanee, GA 30024 (770) 338-6843  
 Central: 1707 North Randall Road, Elgin, IL 60123 (847) 468-5211  
 Western: 6550 Katella Avenue, Cypress, CA 90630 (714) 373-7840  
[www.panasonic.com/security](http://www.panasonic.com/security)