

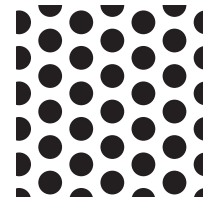
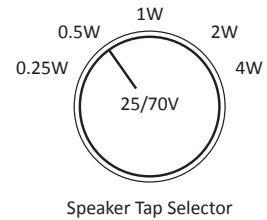
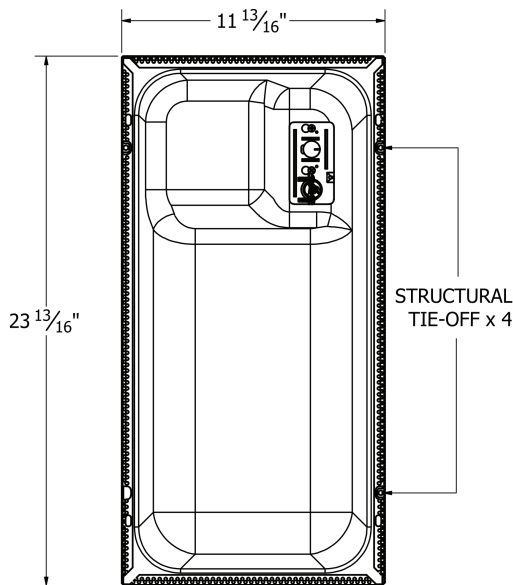
1' X 2' TILE REPLACEMENT LOUDSPEAKER

Quam SYSTEM 5URS

SYSTEM 5URS is a complete, UL Listed, shallow depth, lightweight, 1' x 2' ceiling tile replacement loudspeaker system consisting of an 8" O.D. loudspeaker with a 5 oz. magnet and a 4W, 25/70V, rotary select transformer. The molded fiber enclosure is 617 CID. The SYSTEM 5URS has a powder coated steel baffle with standard perforation and four (4) seismic tie-off points. The cable clamp and one (1), 24", "T" rail are included. No assembly required.



APPLICATION	Intended Use: Program Material: Installation: City of Chicago Approved:	Indoor environment Signal tones, voice, and music Mounted parallel to floor plane in a 24" wide suspended ceiling tile grid Material and construction permits use where ceiling plenum is part of the air handling system
AUDIO PERFORMANCE	Average Sensitivity: Loudspeaker Power Rating: Maximum Power Rating: Calculated Output: Magnet Type & Weight: Frequency Response: Nominal Coverage Angle: Audio Connection:	92dB SPL, 1W/1M 12W RMS, EIA 426A Standard 15W @ 8 Ohms 98dB SPL, 4W/1M BeFe Ceramic, 5 oz. Nominal 65Hz - 17kHz, EIA 426A Standard 100° Included Angle, -6dB/2kHz, Half Space 7 ½", Color-coded, Pre-tinned Leads
COMPONENT	Dimension: Weight: Loudspeaker Model: Loudspeaker Specs: Transformer: Integral Enclosure: Grille: Finish:	3 ½" (H) x 23 13/16" (W) x 11 13/16" (D) 4.05 lbs. 8C5PAX 8" O.D. loudspeaker, 5 oz. magnet 4W, 25/70V, rotary select with 5 taps (0.25W, 0.50W, 1W, 2W, 4W) 617 CID molded fiber Standard perforated steel with four (4) seismic tie-off points White powder coat finish
CERTIFICATION	UL Listed 1480 UL Listed 2043	When installed with supplied installation instructions and requirements of NEC /AHJ. (UEAY, UEAY7- Canada) Suitable for use in air-handling spaces



Standard Perforation Pattern
Shown as 1" Square Sample