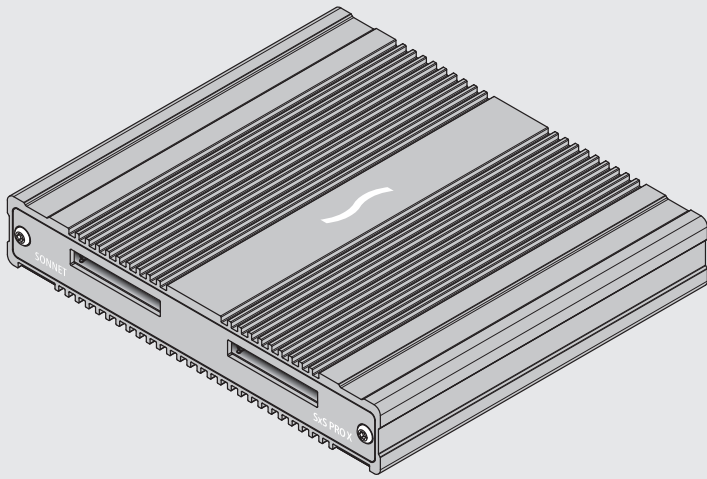


Quick Start Guide

for SF3™ Series – SxS™ PRO X Card Reader



SxS

THUNDERBOLT™

Mac® Compatibility

- Mac (M1, M1 Pro, M1 Max, M1 Ultra)*
- Mac (Intel®) with Thunderbolt 3 ports
- macOS® 10.12.6+
- macOS Monterey compatible (with SxS Driver 3.1+)

Windows® Compatibility

- Computer with Thunderbolt 4 or Thunderbolt 3 ports
- Windows 11, 10

SxS Media Compatibility

- Sony SxS, SxS-1, SxS Pro, SxS Pro+, SxS Pro+ D Series, SxS Pro+ E Series, SxS PRO X



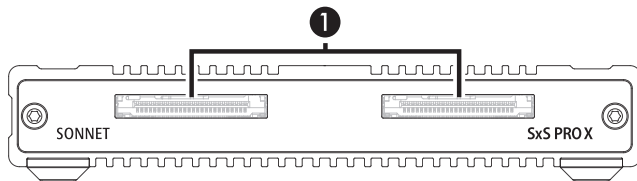
Support Note: This document was up to date at the time of printing. However, changes to the hardware or software may have occurred since then. Please check the Sonnet website for the latest documentation.

1. Go to <https://www.sonnettech.com/support/kb/kb.php>
2. Navigate to and click the SF3 Series SxS PRO X Card Reader link.
3. Click the Manual link.
4. Click the SF3 Series SxS PRO X Card Reader QSG [English] link and then check the Document Version information. If the version listed is later than this document (**revision E**), click the Download Now button for the latest version.

* Before the SxS device driver can be installed on an M1, M1 Pro, M1 Max, or M1 Ultra Mac, the security policy setting must be changed to Reduced Security.

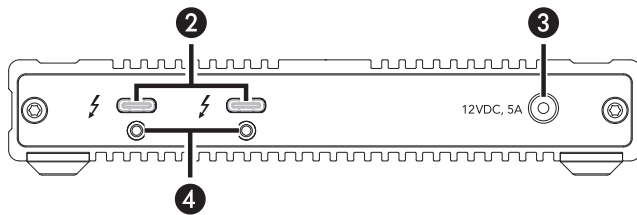
1

SF3 Series — SxS PRO X Card Reader Description



1 – Card Slots

These slots accept all SxS cards.



2 – Thunderbolt 3 Connectors

Connect the included Thunderbolt cable between either of these ports and your computer's (or intermediate peripheral device's) Thunderbolt port; the open port may be used to connect another Thunderbolt peripheral device.

3 – 12VDC, 5A Socket

Connect the included DC power adapter between this socket and the included power cord.

4 – Threaded Nuts for ThunderLok 3

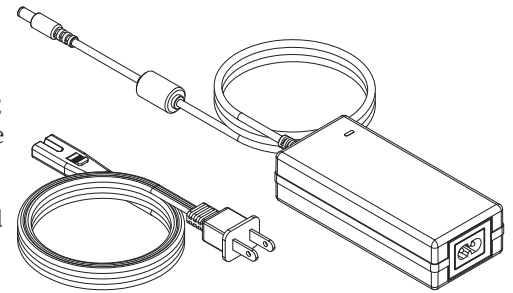
Attach the included Thunderbolt connector retainer clip here. Also compatible with ThunderLok 3L.

2

Additional Package Contents Description

Power Adapter and Power Cord

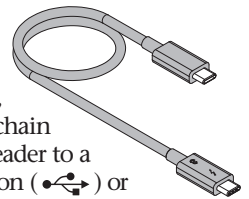
Connect the power adapter to Sonnet card reader's 12VDC socket. Note that the power indicator on top lights when the adapter is connected to AC power.



Connect the power cord between a power outlet and the power adapter. Note that the power adapter and power cord included with your product may appear different than the one pictured here, depending on where the product was purchased.

Thunderbolt 3 (40Gbps) Cable

Connect this cable between the Sonnet card reader and one of your computer's Thunderbolt ports (often indicated by a ⚡ logo), or other Thunderbolt peripheral device in the chain connected to the computer. Connecting the reader to a computer port marked with the generic USB icon (•↔) or USB + Charging Port icon (⚡) is NOT supported.



ThunderLok™ 3 Thunderbolt Connector Retainer Clip

This clip secures the Thunderbolt 3 connector plugged into one of the Sonnet card reader's Thunderbolt 3 ports to prevent accidental cable disconnection. This clip is compatible with Sonnet 0.5- and 0.7-meter Thunderbolt 3 cables, but not with Sonnet 2-meter Thunderbolt 3 cables.



3

Preparing to Use the Sonnet Card Reader With a Windows Computer

1. Update your computer's BIOS to the latest version.
2. Confirm your computer is running, or update to, the latest Thunderbolt software.
3. Confirm your computer is running, or update to Windows 11 or Windows 10.

Driver Information

The drivers that enable the SF3 Series — SxS PRO X Card Reader itself to work with your computer are installed as part of macOS, and Windows 11 and 10. *However*, to enable support for SxS memory cards, you must download Sony® drivers from Sonnet's website and install them on your computer. Additionally, **Windows users should download and install the Sonnet Device Manager Rescan applet.**

1. Go to <https://www.sonnettech.com/support/kb/kb.php>
2. Navigate to and click the SF3 Series SxS PRO X Card Reader link.
3. Click the appropriate links for macOS or Windows software, read the instructions, and then click the Download Now button(s); note that macOS users need to download version-specific software. Follow the directions on the Sony website to download the appropriate drivers.
4. Install the drivers, and then restart your computer.

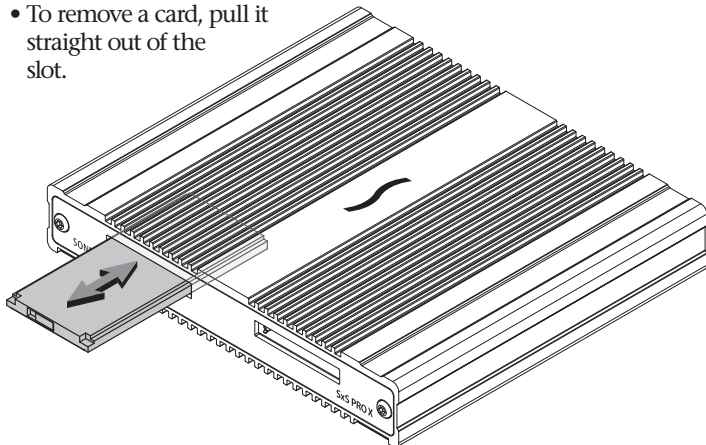
4

Windows Users—Using the Card Reader For the First Time

An *Approve New Thunderbolt™ Devices* window will appear the first time you connect Sonnet card reader to your computer while it is running (or the first time your computer boots with the reader connected). From the drop-down menu select Always Connect, and then click OK.

All Users—Inserting and Removing Cards

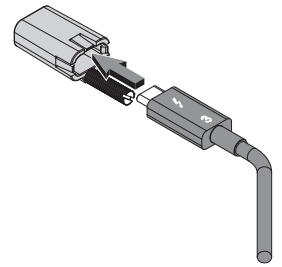
- To insert a card, push it into straight into the slot, parallel to the top cover of the reader, until it stops; do not force a card into the slot, as you may damage the card or the slot connector.
- Before removing a card, be sure to “eject” or “Safely Remove” its mounted volume; otherwise, data on the memory card may be corrupted.
- To remove a card, pull it straight out of the slot.



6

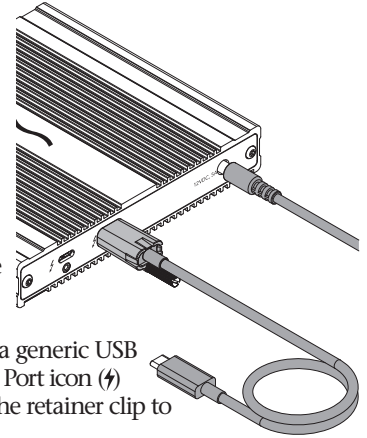


Support Note: To attach the ThunderLok clip to the cable, remove both from their packaging, and then insert the connector through the connector clip as shown. Note that the connector will pass all the way through the clip; when you connect the cable to the reader, the clip will secure the connector.



Connecting the Reader

1. Connect the included (or comparable) Thunderbolt 3 (40Gbps) cable, or any Thunderbolt 4 cable, between the Thunderbolt port on the Sonnet card reader and a Thunderbolt port on your computer, or other Thunderbolt peripheral device in the chain connected to the computer. Note that cables or computer ports marked with a generic USB icon (🔌) or USB + Charging Port icon (🔌⚡) are NOT compatible. Secure the retainer clip to the reader if you attached it to the cable.
2. Connect the included power cord between a wall outlet or power strip and the power adapter; verify the connector is plugged in securely. Connect the power adapter cable to the SxS card reader's 12VDC power socket.



5

Contacting Customer Service

Before contacting Customer Service, please check the Sonnet Web site (www.sonnettech.com) for the latest updates and files. Email requests generally receive the fastest responses, and are usually processed within a 24-hour period during normal business hours, excluding holidays. When you contact Customer Service, please have the following information available:

- Product name
- OS version
- A System Report (macOS) or a Microsoft System Information MSINFO32 (Windows) report (Windows), along with a description of the issue(s) you are encountering with your device

If further assistance is needed, contact **Sonnet Customer Service** at:

E-mail: support@sonnettech.com

Tel: 1-949-472-2772

(Monday–Friday, 9 a.m.–5 p.m. Pacific Time, excluding holidays)

Japan Customers

Contact Sonnet Customer Service Japan at:

E-mail: jp.support@sonnettech.com



©2022 Sonnet Technologies, Inc. All rights reserved. Sonnet, SONNETTECH, the Sonnettech logotype, the S logotype, SF3 and ThunderLok are trademarks of Sonnet Technologies, Inc. Mac, the Mac logo, and macOS are trademarks of Apple Inc., registered in the United States and other countries. Thunderbolt and the Thunderbolt logo are trademarks of Intel Corporation in the U.S. and/or other countries. Other product names are trademarks of their respective owners. Product specifications subject to change without notice. QS-SF3-2SXSPX-E-E-031822