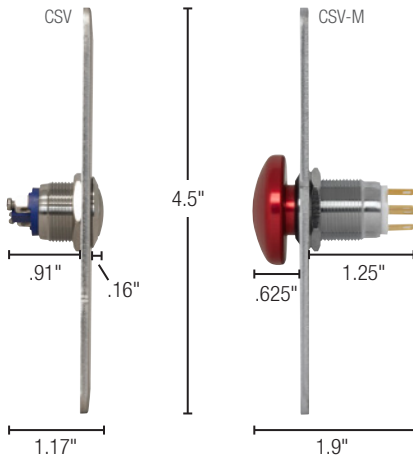




Call switch with heavy duty wall plate. Choice of standard silver button (CSV) or red oversized "mushroom" button (CSV-M).



FEATURES

- **Overall Height:** 4.50"
- **Overall Width:** 2.75"
- **Overall Depth:** see chart below
- **Description:** Vandal-resistant call switch for intercom systems—general purpose signaling and switching—includes heavy duty stainless steel wall plate, vandal-resistant screws and driver bit.
- **Switch:**
 - SPST (single pole, single throw)
 - Rating: 2A 48VDC
 - Function: Momentary (normally open)
 - Connections: Screw terminal connections (standard button); pigtails (mushroom button)
- **Wall Plate:**
 - Heavy duty 11-gauge stainless steel wall plate with brushed finish
 - Size: 1-gang
 - Choice of standard silver push button or red mushroom (oversized) push button
 - Includes vandal-resistant screws with driver bit
- **Optional:**
 - **P1X Box:** One-gang surface-mount wall box measures 4.625"H x 2.875"W x 2.5"D. Box is 20-gauge steel with white finish. Features front flanged holes that conform to standard wall plate centers and hardware, and 0.5" rear/side knockouts.

A&E SPECIFICATIONS

The vandal-resistant call switch shall be Lowell _____ (CSV, CSV-M), which shall be a single pole, single throw (SPST) momentary (normally open) switch. The switch rating shall be 2A 48VDC. The switch shall be mounted in a one-gang 11-gauge stainless steel wall plate with brushed finish. The plate shall feature a _____ (standard silver, red mushroom) push button. The unit shall include vandal-resistant screws and a driver bit.

Optional

- The switch shall include a one-gang surface mount steel wall box with white finish, Lowell P1X. The box shall measure 4.625"H x 2.875"W x 2.5"D. It shall feature side and rear knockouts.

Model summary

Model No.	Description	Wall Plate	Overall Height	Overall Width	Overall Depth	Push Button
CSV	Call switch	1-gang	4.5"	2.75"	1.17"	silver (standard)
CSV-M	Call switch	1-gang	4.5"	2.75"	1.9"	red (oversized)

