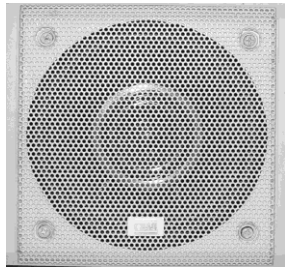


Installation Instructions

Models M5CX / M4F M4F710 / M4F725 M5CX710 / M5CX725

BATHROOM / SHOWER / KITCHEN SPEAKERS



M5CX



M4F



Established 1978

OWI Incorporated

17141 Kingsview Ave. Carson CA 90746 USA

Tel. 310-515-1900

www.owi-inc.com

Technical Support: 310-515-1900



205 Westwood Ave, Long Branch, NJ 07740

Phone: 866-94 BOARDS (26273) / (732)-222-1511

Fax: (732)-222-7088 | E-mail: sales@touchboards.com



B•S•K Speakers

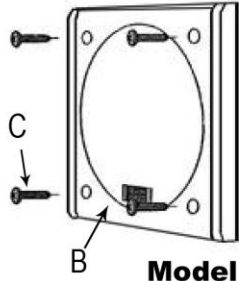
Bathroom • Shower • Kitchen



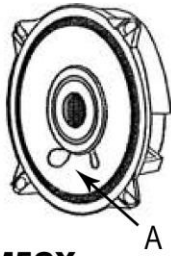
Loudspeaker Mounting Instructions

Models: M5CX / M4F Weatherized Loudspeakers

Parts List



Model M5CX



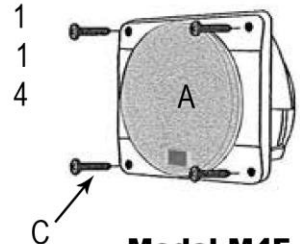
- A - Speaker Housing
- B - Speaker Grill
- C - #8 X 1 1/8" Stainless Steel Screw

Optional items (not included with speaker)



#8-10 plastic anchor (4)

waterproof clear silicone



Model M4F

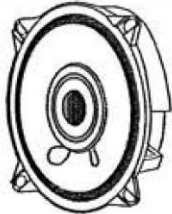
- 1
- 1
- 4



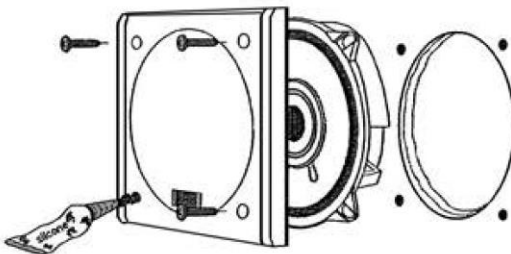
Tools required: Drill motor, skill saw or equivalent, 1/2" drill bit, 3/32" drill bit, Phillips screw driver, pencil or pen.

Remove all parts from package and compare to parts list.

Using the template printed on back of box that speaker came in, determine best mounting location. Mark speaker hole diameter and screw mounting hole locations using a pencil or pen. Using the 1/2" drill bit, drill a hole inside the area marked for the speaker. This will allow you to insert the blade of the skill saw to cut hole. Once completed, drill the (4) mounting screw holes using the 3/32" drill bit. (You may want to use a plastic anchor which will require a larger hole to accept the plastic anchor.)



Check fit of speaker into hole that you have cut in the wall. It is important that the speaker rest flush against surface. Run your speaker wiring and connect to back of speaker accordingly. (If the speaker is being used in a vibration type atmosphere (boat) put a little silicone on the wiring connector to insure they do not loosen.) For a watertight seal, we recommend using waterproof silicone around the speaker hole and screw holes. This will prevent any moisture from entering beyond the speaker.



Both the M5CX and M4F weatherized speakers are held in place by (4) #8 stainless steel screws. Locate the speaker grill covers and put a small amount of silicone in screw holes. This will seal the screws. Using the Phillips screw driver, install the (4) #8 screws carefully aligning speaker in wall. (It is not necessary to seal the speaker grill cover - only the screw holes.)

OWI INCORPORATED

17141 KINGSVIEW AVE.
CARSON CA 90746
Tel. 310-515-1900

www.owi-inc.com
info@owi-inc.com

New Construction Kit Available



M4FRIK for the M4F



M5CX-TB / M5CX-CUP
for the M5CX

01/13/16

M4F-RIK MOUNTING KIT INSTRUCTIONS

(NEW CONSTRUCTION KIT FOR THE M4F SHOWER SPEAKER)

17141 Kingsview Ave, Carson CA 90746 / Tel. 310-515-1900 / info@owi-inc.com / www.owi-inc.com

1



Mounting frame



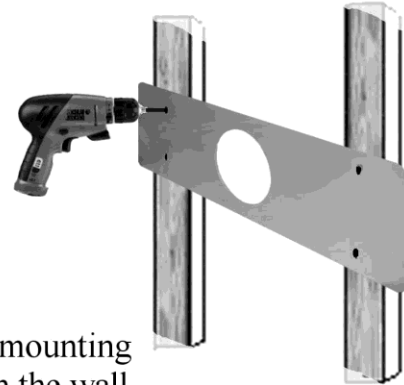
Cup

Each mounting kit consists of:

A - one mounting frame

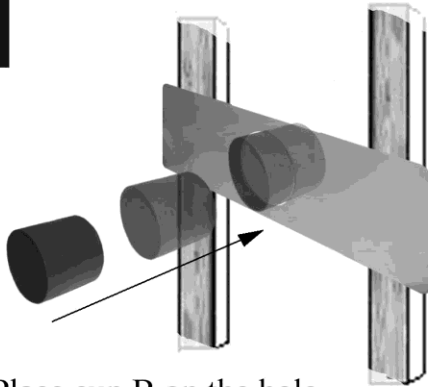
B - one cup

2



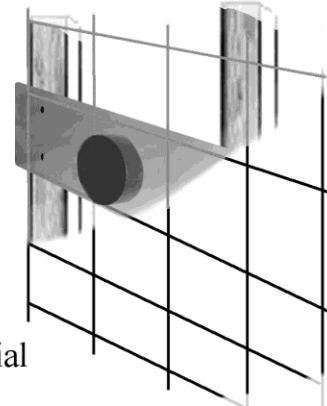
Install the mounting frame A on the wall using screw or staple.

3



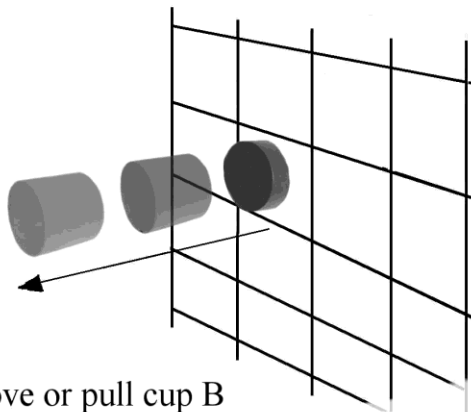
Place cup B on the hole of the mounting frame A.

4



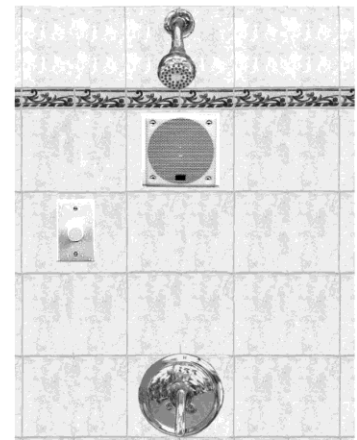
Place drywall, cement or material on front side. Do not cover cup.

5



Remove or pull cup B once the cement dries.

6

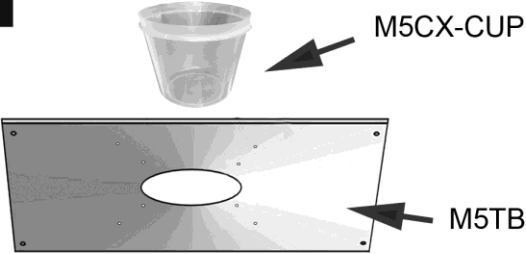


Install the BSK Speaker.

M5CXRIK
 (M5TB + M5CX-CUP)
MOUNTING KIT INSTRUCTIONS
 (NEW CONSTRUCTION KIT FOR THE M5CX SPEAKERS)

17141 Kingsview Ave, Carson CA 90746 / Tel. 310-515-1900 / info@owi-inc.com / WWW.OWI-INC.COM

1

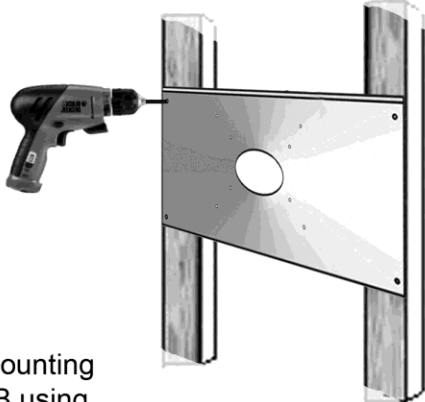


M5CX-CUP

M5TB

Each mounting kit M5CXRIK is consists of:
 1) One each cup model M5CX-CUP
 2) One each mounting frame model M5TB

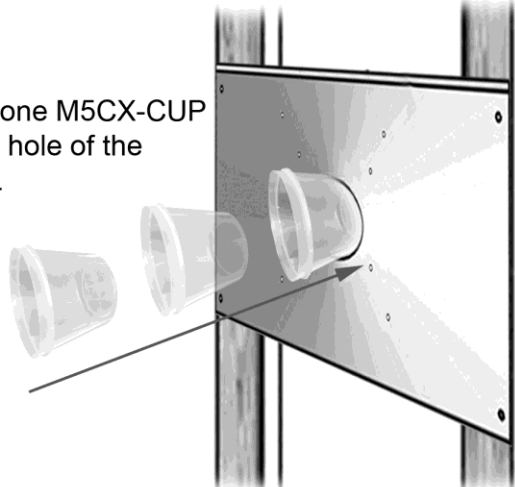
2



Install the mounting frame M5TB using a screw.


3

Place one M5CX-CUP on the hole of the M5TB.

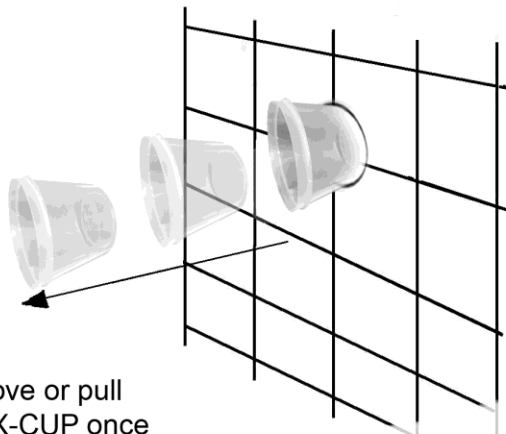


4

Place dry wall, cement or material on front side. Do not cover cup.



5



Remove or pull M5CX-CUP once the cement dries up.

6

Install the M5CX Shower Speaker.



OWI BSK SPEAKER DRY WALL/SHEET ROCK CEILING ASSEMBLY

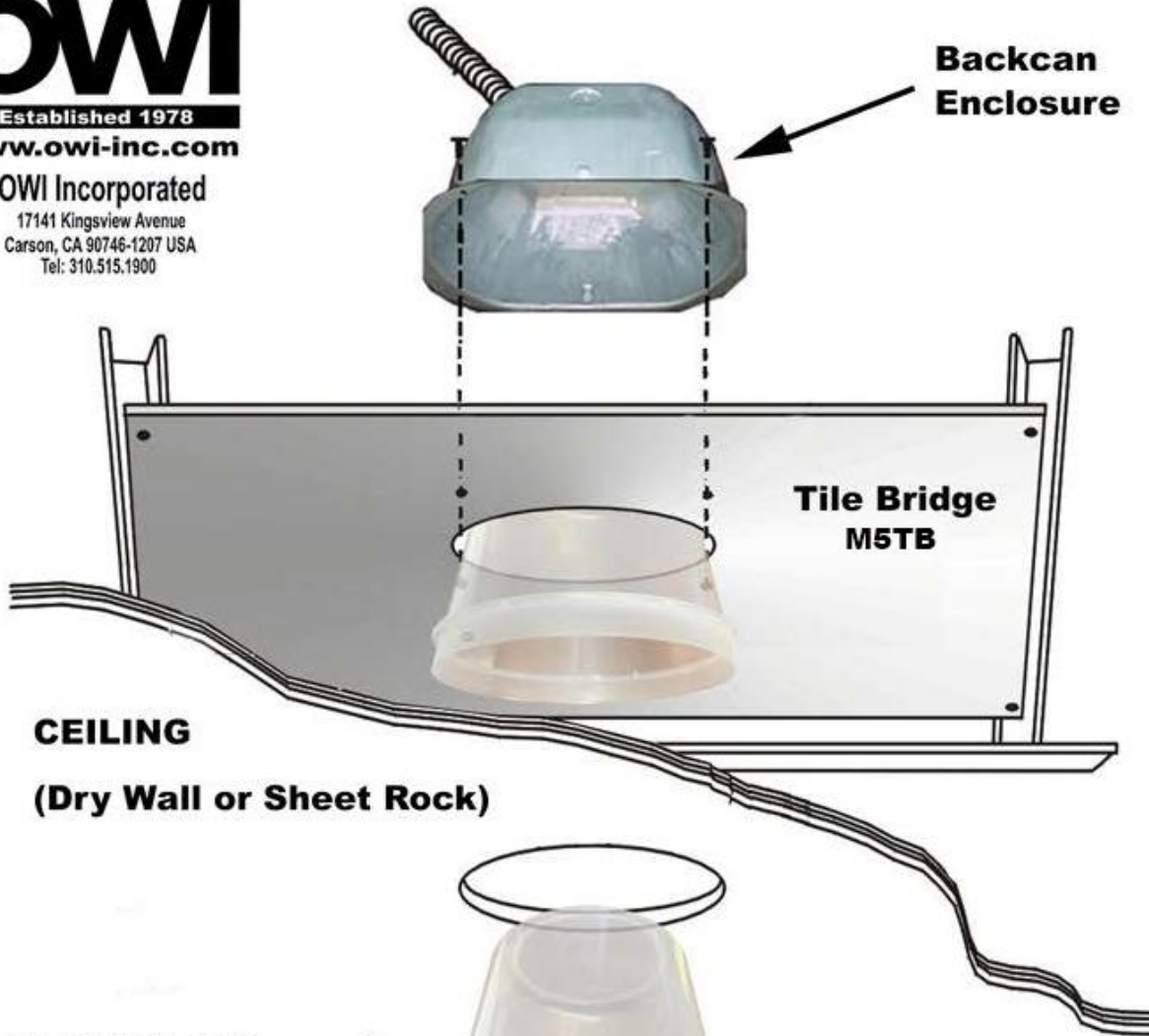


Established 1978

www.owi-inc.com

OWI Incorporated

17141 Kingsview Avenue
Carson, CA 90746-1207 USA
Tel: 310.515.1900



PLASTIC CUP
M5CX-CUP



1. Place the plastic cup in hole as shown.
2. Remove cup after the Dry Wall or Sheet Rock is set.
3. Install the speaker.



Transformer if needed.

BSK SPEAKER



OWI SPEAKER SYSTEM LIMITED WARRANTY REGISTRATION

(Save this portion for your records)

1. Your OWI Speaker System has been thoroughly tested and inspected at the factory. It is warranted for 5 years from date of purchase. IT IS THE OWNERS' RESPONSIBILITY TO ESTABLISH THE DATE OF PURCHASE BY ACCEPTABLE EVIDENCE AT TIME SERVICE IS SOUGHT.
2. WHAT WE WILL PAY FOR AND WHAT YOU MUST PAY FOR:
OWI INC. will repair or replace unit(s) covered by this warranty, without charge to the consumer for labor or materials. YOU ARE RESPONSIBLE FOR ANY INSTALLATION OR REMOVAL CHARGES AND FOR ANY INITIAL SHIPPING CHARGES, if the unit(s) must be shipped for warranty service. However, we will pay the return shipping charges to any destination within the U.S.A. if the repairs are covered by the warranty.
3. Any unit which in the judgement of OWI Inc. is defective or develops defects under normal use will be replaced or repaired without cost within the warranty period.
4. This warranty will be considered void if unit has been dropped, misused, abused or altered in any manner, overdriven with excessive amplification exceeding manufacturer's specifications, improperly serviced or accidental damage. Warranty will also be voided if speakers are used in "SAUNAS".
5. OWI Inc. shall have no liability whatsoever for consequential damage. The sole responsibility of OWI Inc. under this warranty shall be limited to the repair of the product or replacement thereof is the sole discretion of OWI Inc.
6. IMPORTANT: This warranty is void unless the attached card is completed and mailed to OWI Inc. within 10 days following the date of purchase.

Units for warranty repair must be sent to OWI Inc., or to the dealer where purchased, postage prepaid.

OWI INCORPORATED
17141 Kingsview Ave
Carson, CA 90746
Tel: 310-515-190
Fax: 310-515-1606

Date Purchased: _____

Model Number: _____

Serial Number: _____

(Cut here)

PLACE
 STAMP
 HERE

OWI INCORPORATED.
17141 KINGSVIEW AVE.
CARSON, CA 90746

(Fold here)

LIMITED WARRANTY REGISTRATION CARD

Model No. _____
 Model Name _____
 Lot number _____
 Date of Purchase: Month _____ Day _____ Year _____
 Owner's Info Name _____
 Address _____
 City _____ State _____ Zip _____
 Age (please check) 12-20 21-30 31-40 41-up
 Occupation: _____
 Dealer's Name _____ City _____ State _____
 Purchased from (please check):
 Video Electronic Mailorder Mass Merchandise
 Others (specify) _____
 I would like a new Products catalog: Yes No
 Remarks: _____

