

## PREFACE

---

### About this Guide

The document provides basic information on installation instruction for the AFS-ACCFF Accessory Face Frame for all Siren series Led follow spots model numbers AFS-700 and AFS-500. For complete product installation and operation information, refer to the specific Follow Spot Section User's Manual found on our web site at [www.altmanlighting.com](http://www.altmanlighting.com). or scan each of the QR. Codes as noted below.

PART NUMBER	DESCRIPTION
AFS-ACCFF	Altman Follow Spot Accessory Face Frame, 7.5 in. x 7.5 in. color filter front end accessory slot (fits AFS-700 or AFS-500 follow spots)

**IMPORTANT!** the Altman Follow Spot Accessory Face Frame is required for the mounting of any additional face frame accessories such as:

AFS-ECB - Altman Follow Spot Accessory, external color boomerang (upto 6 colors)

---

Please read all instructions before installing or using this product. *Retain this guide for future reference.*

### Have a question regarding this guide?

The material in this guide is for information purposes only and is subject to change without notice. Altman Lighting assumes no responsibility for any errors or omissions which may appear in this guide.

Should you find an error, have a suggestion or question regarding your Altman Lighting product, we would love to hear from you.

You can reach us at:

Altman Lighting  
 57 Alexander Street  
 Yonkers, New York 10701  
 1.914.476.7987 (Main)  
 1.914.963.7304 (Fax)  
[www.altmanlighting.com](http://www.altmanlighting.com)  
[customerservice@altmanlighting.com](mailto:customerservice@altmanlighting.com)

---

**Note:** Information contained in this document may not be duplicated in full or in part by any person without prior written approval of Altman Lighting. Its sole purpose is to provide the user with conceptual information on the equipment mentioned. The use of this document for all other purposes is specifically prohibited.

### Our Commitment

Altman Lighting continually engages in research related to product improvement. New materials, production methods and design refinements are introduced into existing products without notice as a routine expression of the philosophy. For this reason any current Altman Lighting product may differ in some respect from its published description, but will always equal or exceed the original design specifications unless otherwise noted.

Document Number: **49-0454**

Version as of: **03 OCTOBER 2019**

**AFS - ACCFF** Install Guide

©2019 Altman Lighting. All rights reserved.

## IMPORTANT INFORMATION

### Product Safety Notices

When using electrical equipment, basic safety precautions should always be followed including the following:



- a. **READ AND FOLLOW ALL SAFETY INSTRUCTIONS.**
- b. Do not use outdoors unless the product is specified to operate in outdoor environments.
- c. Do not mount near gas or electric heaters.
- d. Equipment should be mounted in locations and at heights where it will not readily be subjected to tampering by unauthorized personnel.
- e. The use of accessory equipment not recommended by the manufacturer may cause an unsafe condition.
- f. Do not use this equipment for other than intended use.
- g. Refer service to qualified personnel.

**SAVE THIS GUIDE FOR FUTURE REFERENCE.**

### Warnings



**WARNING:** You must have access to a main circuit breaker or other power disconnect device before installing any wiring. Be sure that power is disconnected by removing fuses or turning the main circuit breaker off before installation. Installing the device with power on may expose you to dangerous voltages and damage the device. A qualified electrician must perform this installation.

**WARNING:** Refer to National Electrical Code® and local codes for cable specifications. Failure to use proper cable can result in damage to equipment or danger to personnel.

**WARNING:** This equipment is intended for installation in accordance with the National Electric Code® and local regulations. It is also intended for installation in indoor applications only. Before any electrical work is performed, disconnect power at the circuit breaker or remove the fuse to avoid shock or damage to the control. It is recommended that a qualified electrician perform this installation.

**WARNING:** This Lighting Fixture IS NOT for residential installation or use.

**THIS PRODUCT MUST BE INSTALLED IN ACCORDANCE WITH THE APPLICABLE INSTALLATION CODE BY:**

**A PERSON FAMILIAR WITH THE CONSTRUCTION AND OPERATION OF THE PRODUCT AND THE HAZARDS INVOLVED.**

**CE PRODUIT DOIT ÊTRE INSTALLÉ SELON LE CODE D'INSTALLATION PERTINENT, PAR UNE PERSONNE**

## Altman Lighting Product Warranty

### Warranty Term

Altman Lighting, Inc., a subsidiary of Altman Stage Lighting Company, Inc., herein referred to as Altman, warrants each new product (except for spare parts or products Altman does not manufacture) for a period of TWO (2) years from date of shipment to correct by repair or replacement any part defect due to faulty material or workmanship. Under these same terms products with an LED light source shall be warranted for a period of THREE (3) years.

Altman warrants for NINETY (90) days any spare part it manufactures. On spare parts or products Altman does not manufacture, including, but not limited to, lamps, sockets, lenses, roundels, electronics, ignitors, ballasts, etc.; Altman will grant the same warranty given Altman by its vendors.

Altman assumes no responsibility for damage or faulty performance caused by misuse, improper installation, careless handling or where repairs have been attempted by others.

This warranty is in lieu of all warranties or guarantees expressed or implied and no representative or person is authorized to assume Altman any other liability with the sale of Altman's products.

For complete warranty terms and conditions, please refer to our web site at [www.altmanlighting.com](http://www.altmanlighting.com).

## Warranty Service

In order to request warranty service, you must receive a Return Material Authorization (RMA) number prior to return.

Return shipments must be visibly marked with the RMA number; the product must be returned (*shipping prepaid*) to the factory at:

Altman Lighting Inc.  
Attention: RMA # \_\_\_\_\_  
57 Alexander Street  
Yonkers, NY 10701

The return must be within THIRTY (30) days of receiving the RMA from Altman.

## INSTALLATION AND SET UP

### Mounting

The AFS-ACFF is required for use of any external face frame accessories to either the AFS-700 or AFS-500 LED Follow Spots. this accessory requires the removal of the plastic front face frame of the follow spot.

the AFS-ACFF Kit includes:

One (1) AFS-Accessory Face Frame 7-1/2" x 7-1/2" Accessory Holder

Four (4) Black Zinc 10/32 x 1/2" Pan Head Phillips

Four (4) 10/32 Hex Head KEPS Nuts

Four (4) 3/16" x 6" Adhesive foam (for AFS-500)

One (1) 3 x 5 zip lock bag to reuse for storage of removed screws.



**WARNING!** Make sure power to the luminaire is completely turned off at circuit breaker. Failure to do so could lead to serious injury or death. Follow all warning and information contained in ["Important Information" on page 2](#).

#### To install the AFS-ACFF

Step 1. Remove the four (4) Phillips head screws from the Plastic face frame from the AFS follow spot. This will require a #2 Phillips head screw driver. Tip the follow spot on a slight angle downward (front of the AFS )to ensure that none of the screws that are being removed are inadvertently dropped back into the follow spot. (please retain these screws and face frame for future use)

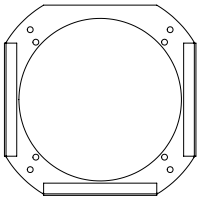
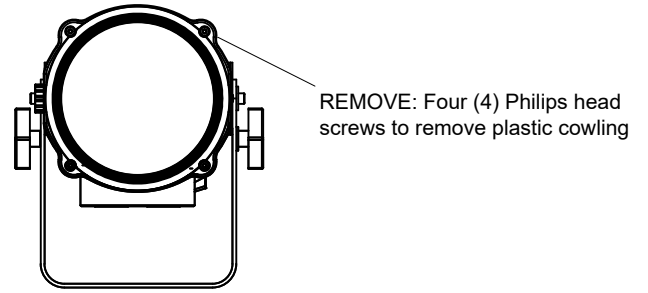
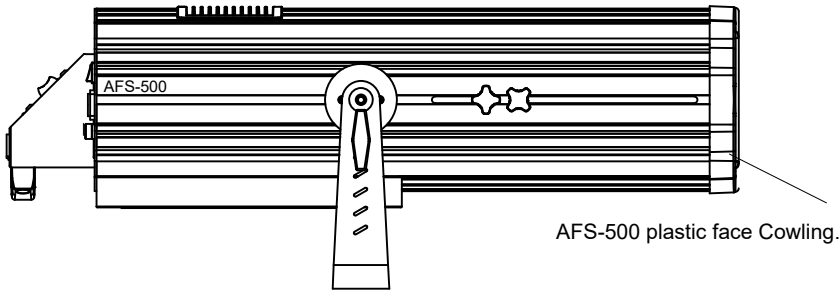
Step 2. Line up the AFS-ACFF to the metal face frame of the follow spot aligning the lens opening to the AFS-ACFF opening. note: there are two (2) different sets of mounting holes one for the AFS-700 and the other for the AFS-500

Step 3. AFS-500 ONLY: the AFS-500's face frame utilizes Pan head style screws. In order to ensure no light leak between the face frame and the AFS-ACFF we have included adhesive foam strips. Once aligned determine which mounting holes will be used and mark them accordingly. On the back side of the AFS-ACFF apply the foam strips so that they do not block the previously marked holes. Each may have to be cut to size as the foam we are including does stretch when applied.

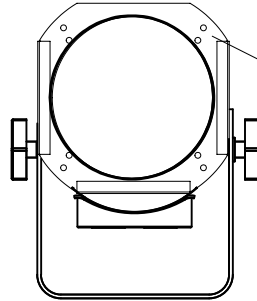
**CAUTION!** Please ensure that the follow spot is tipped down slightly with the face of the unit pointing downward. As the next step requires loose screws this step will help if a screw is dropped during the installation.

Step 4. Line up the AFS-ACFF to the front of the follow spot and using the included screw sets affix the AFS-ACFF to the face frame of the follow spot. Note: each AFS follow spot has open holes on the face frame to allow for the mounting of the AFS-ACFF.

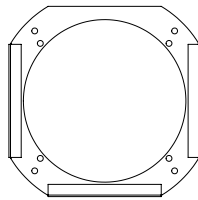
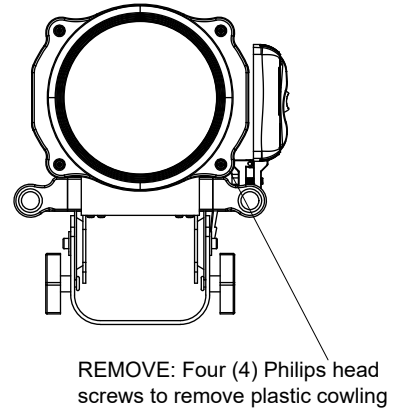
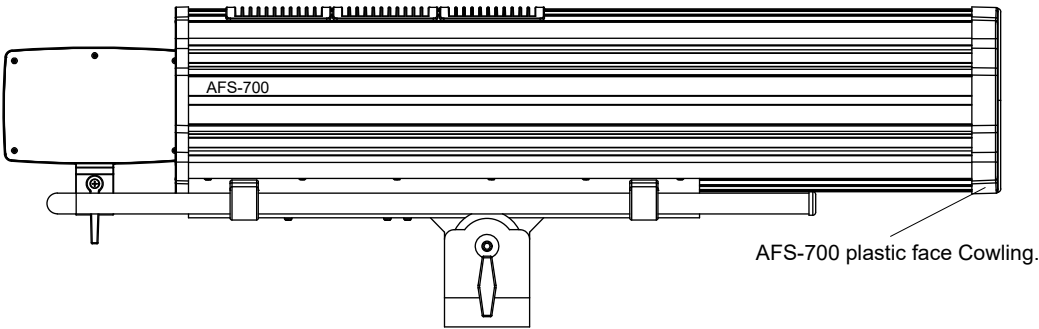
Step 5. Tighten Screws - see illustrations on the following page.



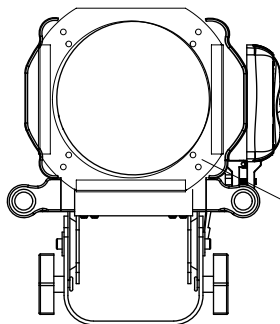
AFS-ACFF - Accessory Face Frame fits both AFS-700 and AFS-500



AFS-500 LED Follow spot



AFS-ACFF - Accessory Face Frame fits both AFS-700 and AFS-500



AFS-700 LED Follow spot