

*Altea*⁴⁰⁰



ALTEA 408

DAS Audio Group, S.L. - C/ Islas Baleares 24 - 46988
Fuente del Jarro - Valencia - Spain - Tel. +34961340860
Updated (DD/MM/YYYY): 23/05/2023



SOUND WITH SOUL

KEY FEATURES

- 2-way, full range system
- 8" bass loudspeaker
- 1" compression driver
- Angled enclosure design for stage monitor use
- Built-in rigging points
- Stand mountable

APPLICATIONS

- Concerts and corporate A/V
- Portable and live clubs
- Concert halls, theaters and auditoriums
- Houses of worship

DESCRIPTION

ALTEA-408 is a passive system, primarily designed for installation applications, offering the flexibility to choose from a range of external DSP and amplification options within the Integral Series. By opting for the advanced electronic solutions within the Integral Series, users can enjoy the same exceptional features and sound quality as the self-powered version, ensuring a consistent and reliable audio experience across the entire range.

The ALTEA-408 features an 8" transducer with a 2" voice coil, delivering accurate bass reproduction and outstanding musicality. High frequencies are expertly managed by a 1" voice coil compression driver, providing exceptional performance. With a horn coverage of 90° x 90°, this combination of components ensures wide and even sound dispersion, making it ideal for music reproduction.

ALTEA 408

DAS Audio Group, S.L. - C/ Islas Baleares 24 - 46988
Fuente del Jarro - Valencia - Spain - Tel. +34961340860
Updated (DD/MM/YYYY): 23/05/2023



SOUND WITH SOUL

SPECIFICATIONS

Performance

Frequency Range (-10 dB)	70 Hz - 20 kHz
Horizontal Coverage (-6 dB)	90°
Vertical Coverage	90°
RMS Power Handling	150 W
Peak Power Handling	600 W
On-axis Sensitivity 1W/1 m	94 dB SPL
Maximum Peak SPL at 1 m	122 dB
Recommended Amplifier	INTEGRAL-A402 INTEGRAL-A1002 INTEGRAL-A1004
Recommended Processor	DSP-226

Connectors

Audio Input Connector	1 x speakON NL4
Audio Output Connector	1 x speakON NL4

Enclosure

Enclosure Construction	Polypropylene
Enclosure Geometry	Trapezoidal
Rigging	M8 Rigging Points
Color	Black
Depth	260 mm (10,2 in)
Dimensions (H x W x D)	480 x 280 x 260 mm 18,9 x 11,0 x 10,2 in

ALTEA 408

DAS Audio Group, S.L. - C/ Islas Baleares 24 - 46988
Fuente del Jarro - Valencia - Spain - Tel. +34961340860
Updated (DD/MM/YYYY): 23/05/2023



SOUND WITH SOUL

Net Weight 8,5 kg (18,7 lb)

Components

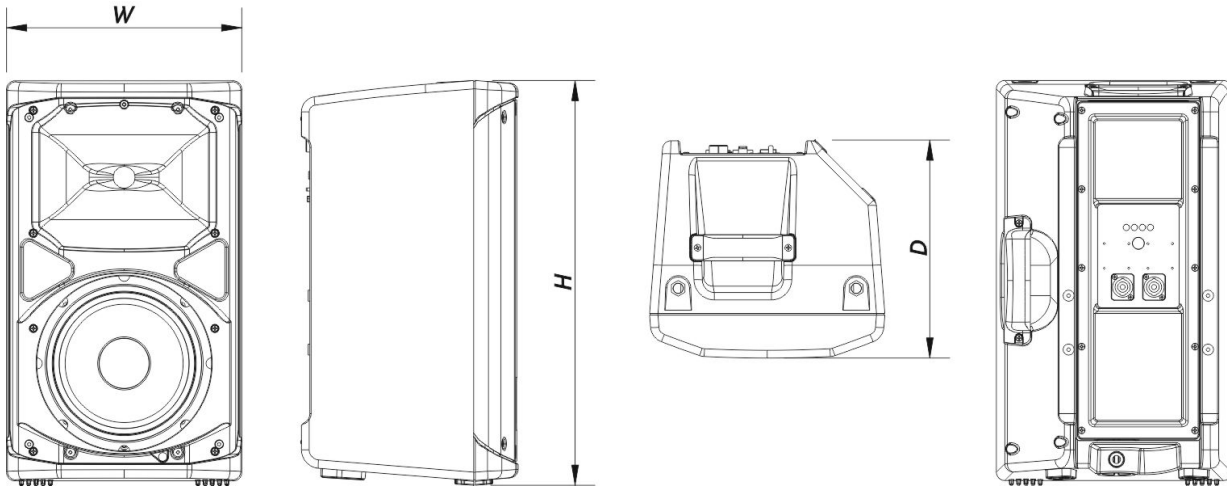
LF Driver 8GV

HF Driver M-32

Shipping

Shipping Weight 12,0 kg (26,5 lb)

DIMENSIONS



ORDERING INFORMATION

Model	Description	P/N
-------	-------------	-----

System

ALTEA-408		10404990
-----------	--	----------

Replacement Parts

ALTEA 408

DAS Audio Group, S.L. - C/ Islas Baleares 24 - 46988
Fuente del Jarro - Valencia - Spain - Tel. +34961340860
Updated (DD/MM/YYYY): 23/05/2023



8GV	Cone Transducer	20208984
M-32	Compression Driver	20208970

Accessories

ANL-1	Rigging Accessories	10101010
ANL-1	Installation & Stacking Acc.	10101010
AX-112-5	Installation & Stacking Acc.	10102390
TRD-6	Installation & Stacking Acc.	10104470
TRD-7	Installation & Stacking Acc.	10104471
TRPD-S2-PAK	Installation & Stacking Acc.	10104011

ALTEA 408

DAS Audio Group, S.L. - C/ Islas Baleares 24 - 46988
 Fuente del Jarro - Valencia - Spain - Tel. +34961340860
 Updated (DD/MM/YYYY): 23/05/2023



SOUND WITH SOUL