

Model MC4-A, MC4-D or MC4-BT MEDIA CONTROL by OWI

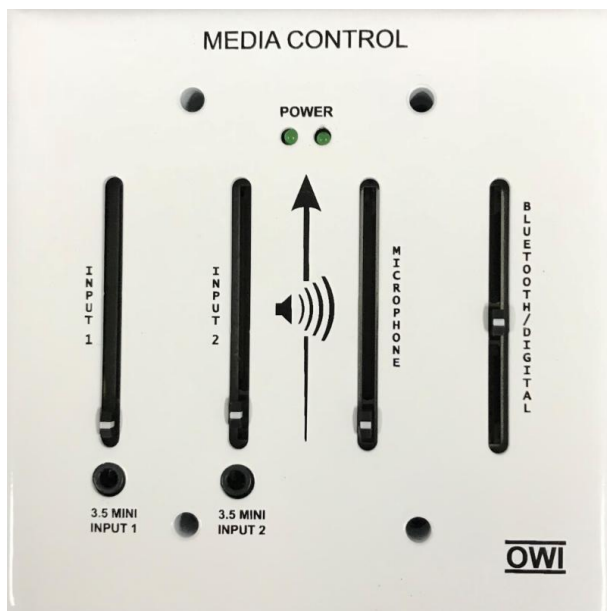


Established 1978

Installation Instructions

Media Control 4-Channel Audio Mixer
Fits on a double gang American electrical box

MC4-BT & MC4-D



MC4-A



OWI Incorporated
17141 Kingsview Ave. Carson CA 90746 USA
Tel. 310-515-1900
www.owi-inc.com

Technical Support: 310-515-1900



CAUTION
RISK OF ELECTRIC SHOCK



DO NOT OPEN

CAUTION: TO REDUCE THE RISK OF ELECTRIC SHOCK
DO NOT REMOVE COVER (OR BACK)
NO USER-SERVICEABLE PARTS INSIDE
REFER SERVICING TO QUALIFIED PERSONNEL



The lightning flash with arrowhead symbol within an equilateral triangle is intended to alert the user to the presence of uninsulated "dangerous voltage" within the product's enclosure that may be of sufficient magnitude to constitute a risk of electric shock to persons.



The exclamation point within an equilateral triangle is intended to alert the user of the presence of important operating and maintenance (servicing) instructions in the literature accompanying the appliance.

The apparatus shall not be exposed to dripping or splashing and that no objects filled with liquids, such as vases, shall be placed on the apparatus.

IMPORTANT SAFETY INSTRUCTIONS

1. Read these instructions - All the safety and operation instructions should be read before this OWI product is operated.
2. Keep these instructions - The safety and operating instructions should be kept for future reference.
3. Heed all warnings - All warnings on this product and in these operating instructions should be followed.
4. Follow all instructions - All operating and other instructions should be followed.
5. Do not use this apparatus near water - for example, near a bathtub, washbowl, kitchen sink, laundry tub, in a wet basement, near a swimming pool, swamp or salivating St. Bernard dog, etc.
6. Clean only with dry cloth.
7. Do not block any ventilation openings. Install in accordance with the manufacturer's instructions. - This OWI product should be situated so that its location or position does not interfere with its proper ventilation. For example, the Component should not be situated on a bed, sofa, rug, or similar surface that may block any ventilation openings, or placed in a built-in installation such as a bookcase or cabinet that may impede the flow of air through ventilation openings.
8. Do not install near any heat sources such as radiators, heat registers, stoves or other apparatus (including amplifiers) that produce heat.
9. Do not defeat the safety purpose of the polarized or grounding-type plug. A polarized plug has two blades with one wider than the other. A grounding type plug has two blades and a third grounding prong. The wider blade or the third prong are provided for your safety. If the provided plug does not fit into your outlet, consult an electrician for replacement of the obsolete outlet.
10. Protect the power cord from being walked on or pinched particularly at plugs, convenience receptacles, and the point where they exit the apparatus.
11. Only use attachment/accessories specified by the manufactures.
12. Use only with the cart, stand, tripod, bracket or table specified by the manufacturer, or sold with the apparatus. When a cart is used, use caution when moving the cart/apparatus combination to avoid injury from tip-over.
13. Unplug this apparatus during lightning storms or when unused for long periods of time.
14. Refer all servicing to qualified service personnel. Servicing is required when the apparatus has been damaged in any way, such as power-supply cord or plug is damaged, liquid has been spilled or objects have fallen into the apparatus, the apparatus has been exposed to rain or moisture, does not operate normally, or has been dropped. The user should not attempt to service this OWI product beyond those means described in this operating manual. All other servicing should be referred to the OWI Service Department.
15. To reduce the risk of fire or electric shock, do not expose this apparatus to rain or moisture.
16. To prevent electric shock, do not use this polarized plug with an extension cord, receptacle or other outlet unless the blades can be fully inserted to prevent blade exposure.
17. Exposure to extremely high noise levels may cause permanent hearing loss. Individuals vary considerably in susceptibility to noise-induced hearing loss, but nearly everyone will lose some hearing if exposed to sufficiently intense noise for a period of time. The U.S. Government's Occupational Safety and Health Administration (OSHA) has specified the permissible noise level exposures shown in the following chart. According to OSHA, any exposure in excess of these permissible limits could result in some hearing loss. To ensure against potentially dangerous exposure to high sound pressure levels, it is recommended that all persons exposed to equipment capable of producing high sound pressure levels use hearing protectors while the equipment is in operation. Ear plugs or protectors in the ear canals or over the ears must be worn when operating the equipment in order to prevent a permanent hearing loss if exposure is in excess of the limits set forth here.
18. OWI recommends that this apparatus is to be placed on a switched power outlet, one that switches both sides of the line and has contact separation of at least 3mm.



Media Control (MC4) Model's MC4-A (ANALOG) - MC4-BT (BLUETOOTH) - MC4-D (DIGITAL)

Installation Instructions

MC4 carton includes the following items:
One (1) each MC4-A, MC4-BT, or MC4-D (Media Control Mixer)
One (1) each 15V DC, Level V, UL Listed Power Supply
Four (4) each 6:32 Truss head screws

Introduction:

Congratulations on purchasing the MC4 Media Control Mixer by OWI.

A double gang electrical box four channel MC4 Media Control Audio Mixer, Model numbers MC4-A, MC4-BT, or MC4-D will allow either Line, Mic, optical level inputs on designated channel. It has an additional four set of level controls to provide a fixed secondary output not effected by any of the changes on the front panel level input controls. Typical uses of the secondary output would be “Hard of hearing”, “Room combiner” or priority feed that is not affected by input controls. The Four (4) audio inputs: 3.5 mini jack, Balanced input, TosLink (MC4-BT, MC4-D), Bluetooth (MC4-BT). The Normal input accepts an unbalanced input via a 3.5 Mini Jack. 1 Balanced input via a Phoenix style screw terminal plug.

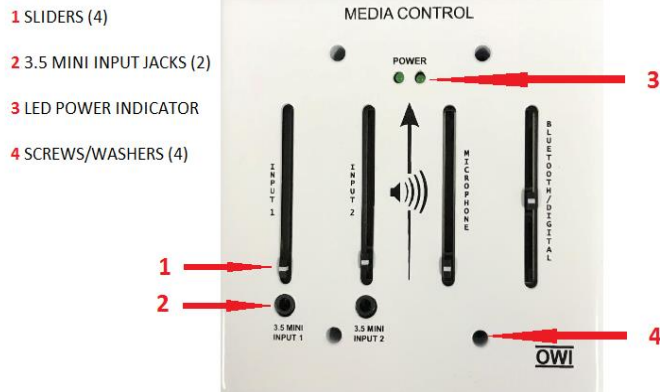
Specifications: Two Gang Electrical box, Four Channel Mixer with both Microphone and Line Audio Mixer

MODEL	MC4-A	MC4-BT	MC4-D
Power	15 Volts DC	15 Volts DC	15 Volts DC
Current	170 mils	170 mils	170 mils
Channels	Four	Four plus a Bluetooth Input	Four
Voltage Levels	Line (-14 to +4 dB m)	Line (-14 to +4 dB m)	Line (-14 to +4 dB m)
Audio Outputs	Three (3)	Three (3)	Three (3)
Output Types	All Outputs Mono Balanced on Euro Block unbalanced 3.5 stereo minijack RJ45 for OWI Amplified speakers only	All Outputs Mono Balanced on Euro Block unbalanced 3.5 stereo minijack RJ45 for OWI Amplified speakers only	All Outputs Mono Balanced on Euro Block unbalanced 3.5 stereo minijack RJ45 for OWI Amplified speakers only
Input types			
Input # 1	3.5mm stereo Jack	3.5mm stereo Jack	3.5mm stereo Jack
Input # 2	3.5mm stereo Jack	3.5mm stereo Jack	3.5mm stereo Jack
Input # 3	Balanced (Mic/Line selectable)	Balanced (Mic/Line selectable)	Balanced (Mic/Line selectable)
Input # 4	Balanced (Mic/Line selectable)	Optical Toslink	Optical Toslink
Other input	NA	Bluetooth	NA
Wireless Bluetooth	NO	YES	NO
Front Panel Inputs	YES - 2 EACH 3.5mm stereo Jacks	YES - 2 EACH 3.5mm stereo Jacks	YES - 2 EACH 3.5mm stereo Jacks
Input Controls	Slider/Fader on the face	Slider/Fader on the face	Slider/Fader on the face
Input # 1	Trim Gain Pot	Trim Gain Pot	Trim Gain Pot
Input # 2	Trim Gain Pot	Trim Gain Pot	Trim Gain Pot
Input # 3	Trim Gain Pot	Trim Gain Pot	Trim Gain Pot
Input # 4	Trim Gain Pot	NA	NA

Four Sliders **1** provide easily seen level controls for each input.

Each MC4 model provides 2 convenient front panel 3.5 mini stereo jack inputs **2** on channels 1 and 2. The two jacks are stereo and combine to mono at the jack.

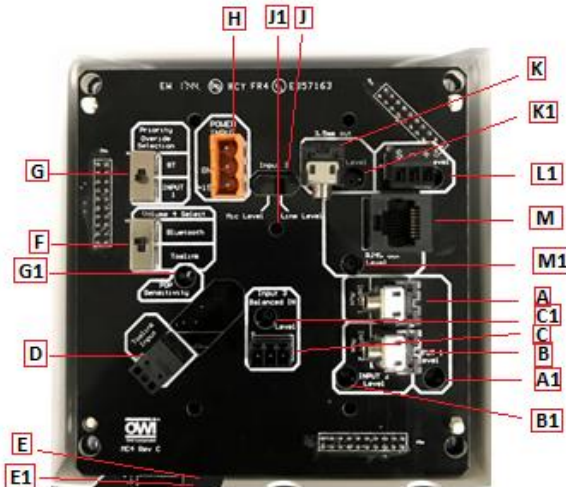
MC4-BT and MC4-D Front



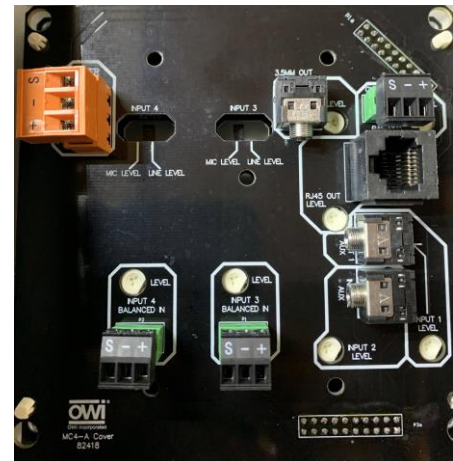
MC4-A Front



MC4-BT and MC4-D Back



MC4-A Back



- A. Input #1 (3.5 mini stereo input) –
A1 - Gain/level control for input #1 **A**
- B. Input #2 (3.5 mini stereo input) –
B1 – Gain/level control for input #2 **B**
- C. Input #3 (balanced line input) –
C1 – Gain/level control for input #3 **C**
- D. Input #4 – Digital Toslink
- E. Bluetooth (optional) - **E1** - Pair button for Bluetooth
- F. Volume selection digital Toslink or Bluetooth
- G. Priority override selector for 3.5 mini on #1 or Bluetooth
G1. Priority override sensitivity control
- H. Power input – 15V DV
- J. Input #3 Selector (microphone/line level)
J1. Gain/level control for C
- K. 3.5 Mini jack – Dual Mono signal output
K1. Gain/level control for K
- L. Balanced Line Level output
L1. Gain/level control for L
- M. CAT5 output to OWI AMP Speakers only

MODEL	MC4-A	MC4-BT	MC4-D
Input types			
Front Face Plate	3.5mm stereo Jack – 2 each	3.5mm stereo Jack – 2 each	3.5mm stereo Jack – 2 each
Input # 1	3.5mm stereo Jack	3.5mm stereo Jack	3.5mm stereo Jack
Input # 2	3.5mm stereo Jack	3.5mm stereo Jack	3.5mm stereo Jack
Input # 3	Balanced (Mic/Line selectable)	Balanced (Mic/Line selectable)	Balanced (Mic/Line selectable)
Input # 4	Balanced (Mic/Line selectable)	Optical Toslink	Optical Toslink
Other input	NA	Bluetooth	NA

A convenient Mic and Line switch (**J**) is accessible from the rear allowing Channel 3 to be assigned to either Line or Mic level input. Line is to the right and Mic is to the left.

The Main Audio Outputs

- Unbalanced output (**K**) is a 3.5 mini jack output which has volume control (**K1**) for the main level
- balanced output (**L**) is a green Euro Style output which has a volume control (**L1**) for its main level
- Cat 5 output (**M**) is a RJ45 Jack which has a volume control (**M1**) for its own main level

The RJ45 connector allows for a quick hook up for Output and power are all hooked up with a single 8 pin connector. Looking at the RJ45 from the left is pins –

Four (4) trim controls (**1**) for the front panel slide controls.

MC4-BT Bluetooth Setup, Connection, and Pairing –

Bluetooth SETUP to your device:

- Push and hold pairing button (E1) for 3 seconds to wake up the Bluetooth module. The light will start flashing
- Push/Tap the pairing button (E1) once again quickly – now the module is in pairing mode (fast blinks)
- Use your device to search for (OWI MC4) and connect.
- There is no code to pair to the unit

Re-connect the device to the MC4-BT:

- Push and hold pairing button (E1) for 3 seconds to wake up the Bluetooth module
- search for (OWI MC4) on your device and connect.

Priority Override features –

Priority override selector for 3.5 mini on #1 or Bluetooth (G)

This will allow either the Bluetooth or the 3.5 Minijack to have priority over the input.

If you want Bluetooth to have Priority, Slide the slider to the BT selection and it will have priority over the 3.5 mini jack.

If you want the 3.5 minijack to have priority over the Bluetooth slide the slider switch down to the Input # 1 position.

Once you have chosen the priority adjust the Priority override sensitivity control (G1)

Please note that the Bluetooth signal must be turned up the entire way to send enough signal to trigger the override module.

Hotel Bluetooth Priority Override Feature

3.5 Mini Jack or Bluetooth Priority Override feature

Choose between the 3.5 Mini Jack or the Bluetooth

LIMITED WARRANTY

1. The Media Control MC4 series has been thoroughly tested and inspected at the factory.
2. It is warranted for one (1) year from date of purchase.
3. IT IS THE OWNERS' RESPONSIBILITY TO ESTABLISH THE DATE OF PURCHASE BY ACCEPTABLE EVIDENCE AT TIME SERVICE IS SOUGHT.
4. Any unit, which in the judgment of OWI INC. is defective or develops defects under normal use will be replaced or repaired without cost within the warranty period.
5. This warranty will be considered void if unit has been dropped, misused, abused, altered in any manner, overdriven with excessive amplification exceeding manufacturer's specification, improperly serviced or accidental damage.
6. OWI Inc. shall have no liability whatsoever for consequential damage. The sole responsibility and discretion of OWI Inc. under this warranty shall be limited to the repair of the product or replacement thereof.
7. IMPORTANT: This warranty is void unless the attached card is completed and mailed to OWI Inc. within 10 days following the date of purchase. Units must be sent to OWI Inc. or to the dealer where purchased.

OWI INCORPORATED
17141 Kingsview Ave
Carson, CA 90746

Date Purchased: _____
Model Number: _____
Serial Number: _____

(Keep this part for your record)

-----CUT AND MAIL-----



OWI INCORPORATED
17141 Kingsview Ave
Carson, CA 90746

LIMITED WARRANTY

Model Number: _____

Model Name: _____

Serial No. _____

Date of Purchase: Month: _____ Day _____ Year _____

Owner's Name: _____

Address: _____

City: _____ State _____ Zip _____

Dealer's Name: _____ City _____ State _____

Purchased from (please check one):

Video __, Electronic __, Mail Order __, Mass Merchandiser __, Installer __

Others (please specify) _____

Remarks: _____
