



The **KL PROFILE FC™** is a manual LED framing fixture designed for a wide array of precision lighting applications. With an integrated manual zoom range of 7 to 50 degrees the fixture requires no additional lens tubes, reducing cost, complexity and providing excellent flexibility for any theater, performance venue or show. The integrated manual Iris allows further beam control.

The 92 CRI engine utilizes a 5-color homogenized LED array consisting of Red, Green, Blue, Mint, and Amber sources with a power of 305W. The carefully tuned LEDs ensure accurate color reproduction while delivering a powerful output of over 10,000 lumens. Virtual color temperature, Magenta / Green adjustment provide the designer with immediate access to the impressive LED color array. Exceptionally quiet, the fixture offers enhanced fan controls down to Elation's mute mode which disables the internal cooling fan.

For ease of use, the fixture contains a 16bit rotating/indexing gobo slot and is shipped with an assortment of 10 glass gobos, which are easily exchangeable from the top of the fixture. The optional Fresnel Conversion Kit allows to utilize the fixture as a framing wash fixture while providing uniform appearance and fixture spacing.

The KL PROFILE FC is designed for any application where an ellipsoidal or wash fixture with outstanding and impactful color range and quality and a flexible zoom range is required. The fixtures enhanced optical design and lens coatings ensure precise and razor-sharp projections, removing all unwanted color shifting and aberrations in all zoom, focus or framing positions.

FEATURES

- Compact Zooming Ellipsoidal
- Extended Color RGBMA LED Engine, 92 CRI
- Exceeding 10.000 lumens
- Integrated Rotating Gobo Slot
- Full Blackout Manual Framing System
- Wide Zoom Range from 7° to 50°
- Optional Fresnel Wash Conversion Kit
- 7.5" Front Accessory Holder
- Includes 7.5" gel frame, 10 theatrical glass gobos



PRODUCT SPECIFICATIONS

SOURCE

305W 6,500K RGBMA LED Engine
30,000 Hour Average LED Life*

*Test lab conditions. May vary depending on several factors including but not limited to: Environmental Conditions, Power/Voltage, Usage Patterns (On-Off Cycling), Control, and Dimming.

PHOTOMETRIC DATA

10,600 Total Lumen Output
CRI 92
Zoom Range 7° - 50°

EFFECTS

Manual Locking Zoom, Focus
4 Manual Rotating Full Blackout Framing Blades
Manual Barrel Rotation
Integrated Manual Iris
Variable 16-bit Dimming Curve

COLOR

RGBMA Color Array
CMY Emulation
Virtual Color Correction 2400K - 8500K
Green/Magenta Shift
Virtual Gel Swatch Book

GOBOS

1x 16bit Rotating / Indexing Interchangeable
Glass Gobo

CONTROL / CONNECTIONS

DMX Adjustable LED Frequency
DMX, RDM Protocol Support
4 Button Touch Control Panel
Encoder Control for Standalone Operation
Full Color 180° Reversible LCD Menu Display
5pin DMX In/Out
Locking Power Cable In/Out

SIZE / WEIGHT

Length: 24.96" (634mm)
Width: 13.5" (364mm)
Height: 10.98" (279mm)
Weight: 14.5kg / 31.9lbs
7.5" Front Accessory Slot

ELECTRICAL / THERMAL

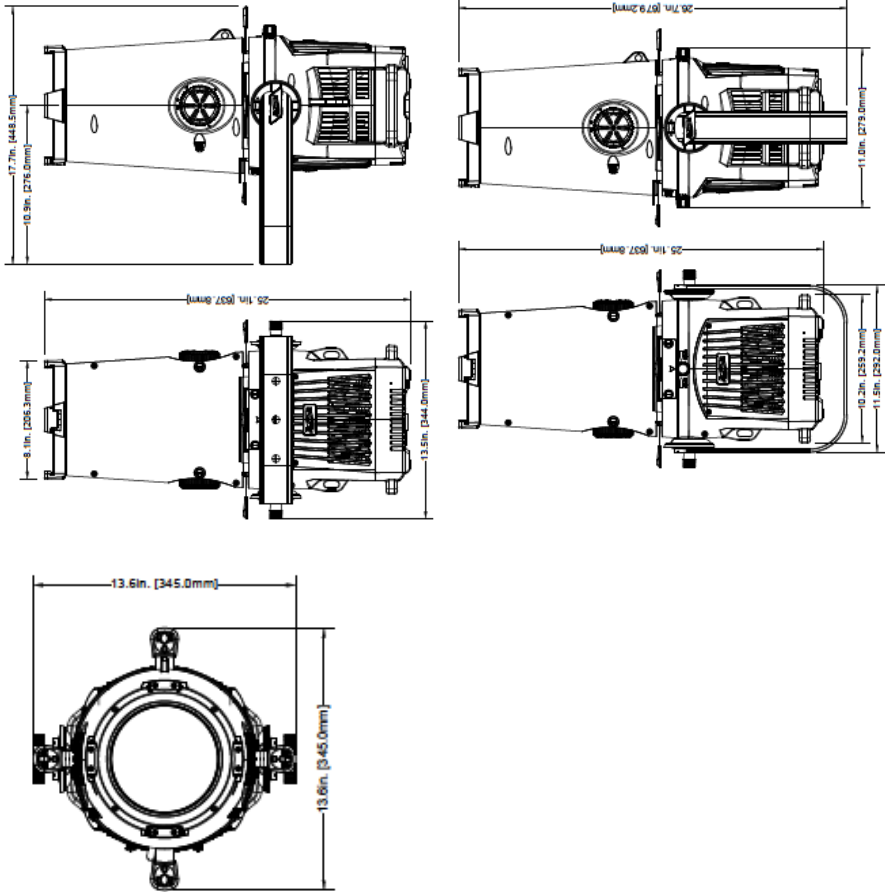
AC 100-240V - 50/60Hz
350W Max Power Consumption
14°F to 113°F (-10°C to 45°C)

APPROVALS / RATINGS

CE | cETLus | IP20



DIMENSIONAL DRAWINGS



ORDERING INFORMATION

KLP412	KL Profile FC (US Sku)
1236100187	KL Profile FC (EU Sku)

*DRAWINGS NOT TO SCALE

