

(FIG.1)

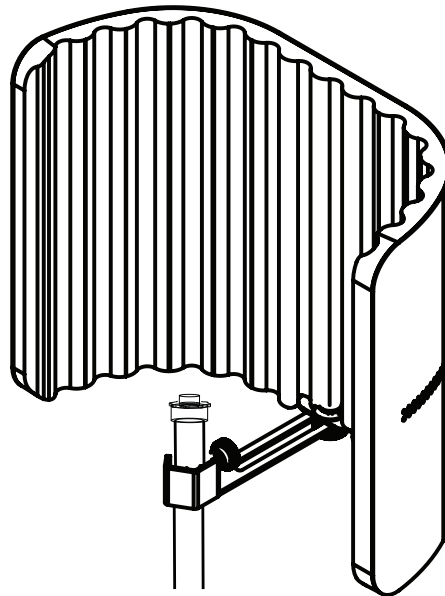
Parts list: (Fig 1)

- A. Shield
- B. Stand thumb screw
- C. Sliding Beam
- D. Locking Screw

Assembly:

Attach Shield (A) to Sliding Beam (C) using Locking Screw (D)

Mount the AS34 shield on the microphone stand as shown below (Fig 2):



(FIG.2)

Dimensions

