

Fuze Wash 500



The **FUZE WASH 500™** is a powerful automated LED Fresnel wash fixture designed for theater, television, events and a wide array of other precision lighting applications. A High-CRI engine utilizes a 5-color homogenized LED array consisting of Red, Green, Blue, Mint, and Amber sources. The carefully tuned LEDs ensure accurate color reproduction while delivering a powerful output of up to 17,000 lumens and maximum CRI of 92. Virtual color temperature, Magenta / Green adjustment plus CMY emulation provide the designer with immediate access to the impressive LED color array. The FUZE WASH 500 is designed for any application where an automated Fresnel fixture with outstanding and impactful colors, a wide zoom range and a soft field is required. An optional indexable ovalizer lens is available for additional beam control.

FEATURES

- 500W Full Spectrum RGBMA LED Engine
- Up to 17,000 Total Lumen Fixture Output @ 6,500K
- CRI up to 92
- Wide Zoom Range from 10° to 45°
- Variable 16-bit Dimming Curve Modes
- CMY Emulation
- Virtual Color Correction
- Green/Magenta Shift
- Virtual Gel Swatch Book



Specifications subject to change without notice ©Elation Professional 04/22/2022

Elation Professional USA | 6122 S. Eastern Ave. | Los Angeles, CA. 90040
323-582-3322 | 323-832-9142 fax | www.elationlighting.com | info@elationlighting.com

Elation Professional B.V. | Junostraat 2 | 6468 EW Kerkrade, The Netherlands
+31 45 546 85 66 | +31 45 546 85 96 fax | www.elationlighting.eu | info@elationlighting.eu

PRODUCT SPECIFICATIONS

SOURCE

500W 6,500K RGBMA (Red, Green, Blue, Mint, Amber) LED Engine
30,000 Hour Average LED Life*

*Test lab conditions. May vary depending on several factors including but not limited to: Environmental Conditions, Power/Voltage, Usage Patterns (On-Off Cycling), Control, and Dimming.

PHOTOMETRIC DATA

17,000 Total Lumen Fixture Output
CRI 92
Zoom Range 10° - 45°

EFFECTS

Motorized Zoom
Optional Indexable Ovalizer Lens
Variable 16-bit Dimming Curve Modes
High Speed Electronic Shutter and Strobe

COLOR

RGBMA Color Array
CMY Emulation
Virtual Color Correction 2400K - 8500K
Green/Magenta Shift
Virtual Gel Swatch Book

CONTROL / CONNECTIONS

4 DMX Channel Modes (RGBMA 21/ 28) (CMY 19 / 24)
16-bit Pan, Tilt, and Dimming Control
DMX Adjustable LED Frequency
DMX, RDM, E-FLY Wireless, Art-Net, sACN Protocol Support
4 Button Touch Control Panel
Full Color 180° Reversible LCD Menu Display
Locking 5pin XLR Connector In/Out
Locking RJ45 Ethernet Connector In/Out
Locking IP65 Power Connector In/Out
USB Connection (Firmware Updates)

SIZE / WEIGHT

Length: 16.06" (408mm)
Width: 9.96" (253mm)
Vertical Height: 21.25" (540mm)
Weight: 40.8 lbs. (18.5kg)

ELECTRICAL / THERMAL

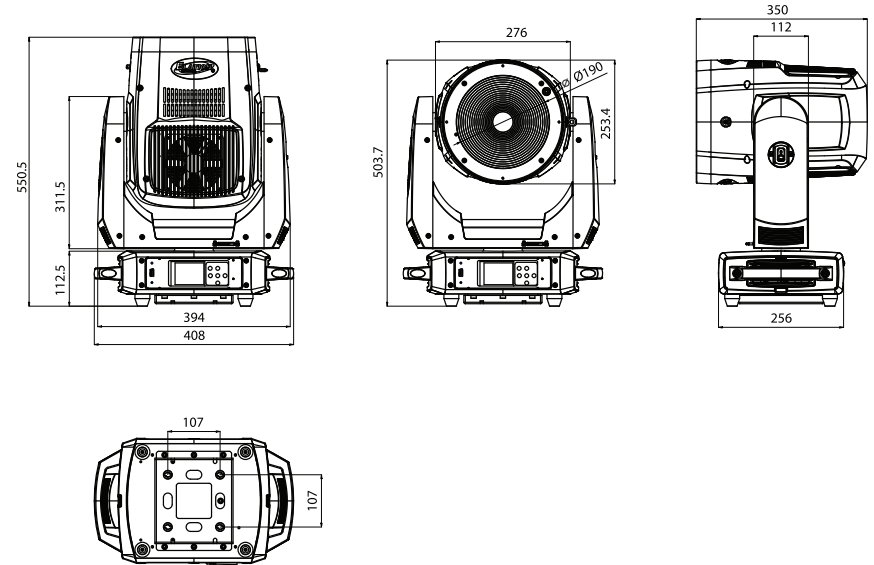
AC 100-240V - 50/60Hz
Max Power Consumption 609W
14°F to 113°F (-10°C to 45°C)
BTU/hr (+/- 10%) 2151.71

APPROVALS / RATINGS

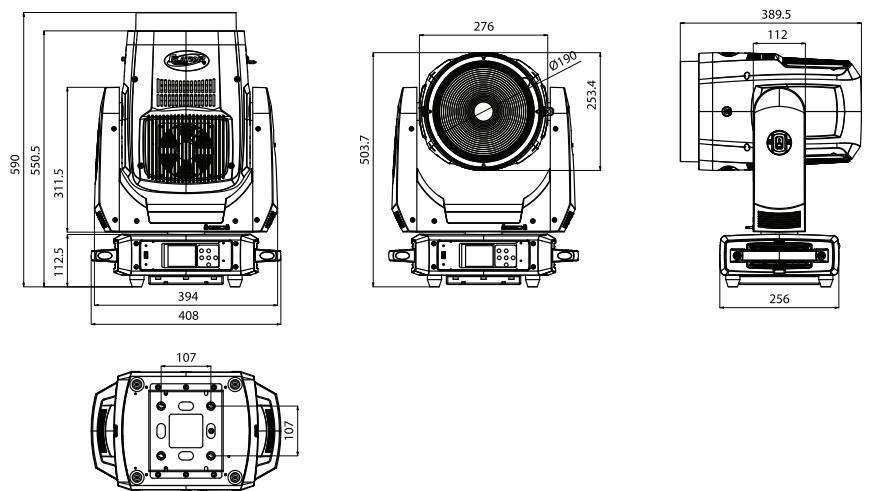
CE | cETLus | IP20

DIMENSIONAL DRAWINGS

FIXTURE ONLY:



WITH SNOOT:



*Dimensional Drawings not to scale

Included Snoot - Optional Beam Shaper



ORDERING INFORMATION

FUZ567	Fuze Wash 500 (US Sku)
1521000387	Fuze Wash 500 (EU Sku)