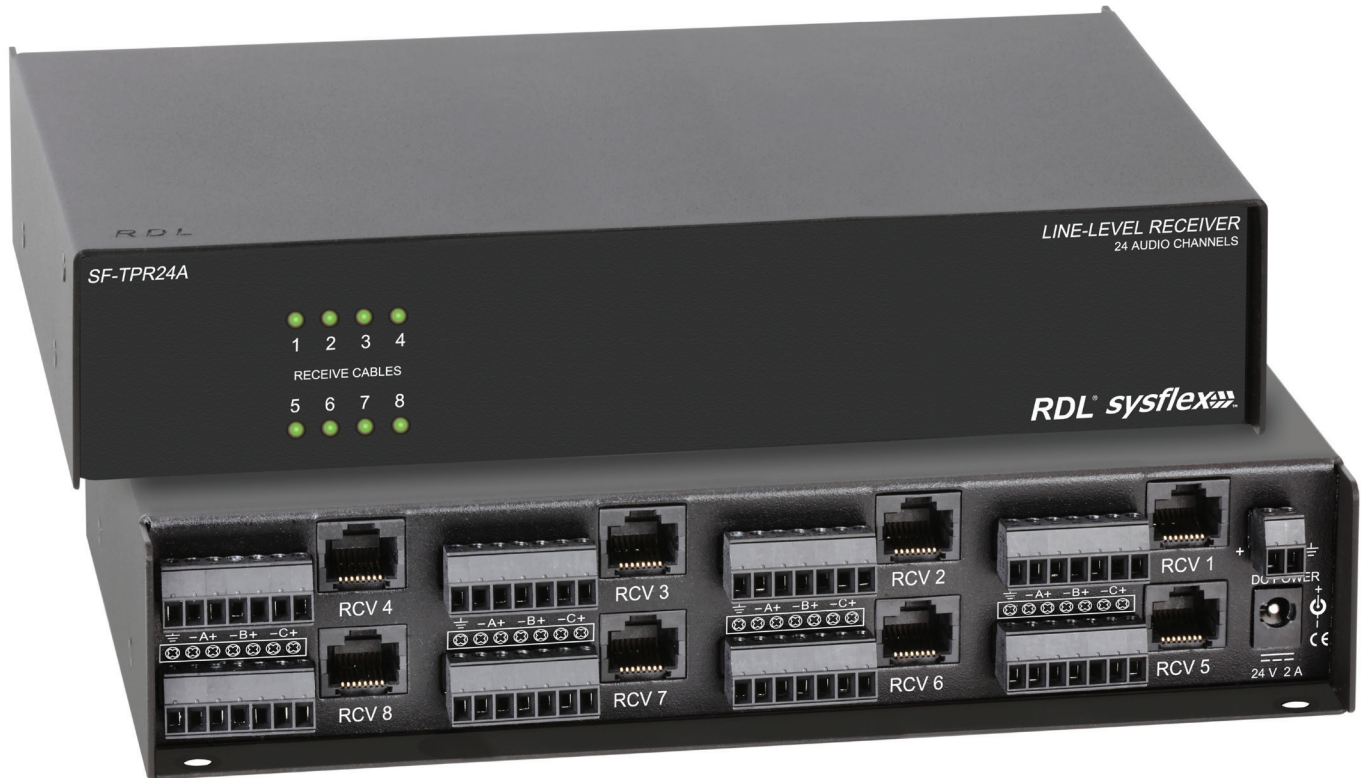


Model SF-TPR24A Line-Level Receiver



- Eight Separate Three-Pair Format-A Receiver Sections
- Receives up to 24 Audio Channels
- Three +4 dBu Balanced Outputs per Section
- Detachable Terminal Block Outputs
- Audio Outputs for All Three Pairs (A, B and C) per Section
- Local Power Feeds all Modules Connected to RJ45 INPUTS
- Wiring Fault Protection by Automatic Resetting Fuse
- Local Power Input on Terminal Block or dc Power Jack
- Green LED per Section Indicates Validity of Module Remote Power
- Studio-Quality Precision Active Balanced Circuitry

APPLICATION: The SF-TPR24A is an eight-section audio receiving chassis compatible with RDL Format-A twisted pair products. Each section receives up to three audio sources and provides three outputs corresponding to signal pairs A, B and C. A studio-quality buffer amplifier feeds +4 dBu balanced outputs through a detachable terminal block.

The SF-TPR24A features bridging inputs, allowing it to be connected to the LOOP OUT jack of other receivers. The bridging input circuits used in all FORMAT-A twisted pair receivers allow connection of up to 10 receiver outputs for each cable pair. The possibility of multiple receiver locations adds enormous flexibility in the design of audio routing systems using RDL FORMAT-A products.

The SF-TPR24A may be powered directly from a 24 Vdc power supply using either the power jack or the detachable terminal block. Local power connected to the module is also fed to all modules connected to the eight INPUT RJ45 jacks. Power for each RJ45 connector is protected against wiring faults by an automatically resetting fuse. Front-Panel green LEDs indicate valid module power on each RJ45.

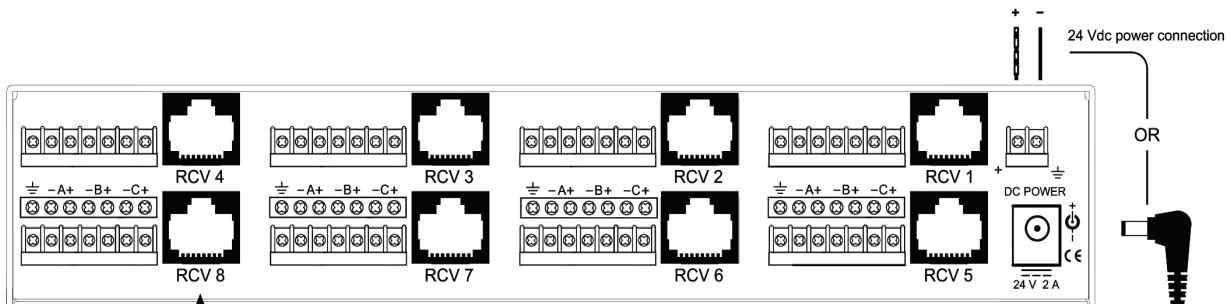
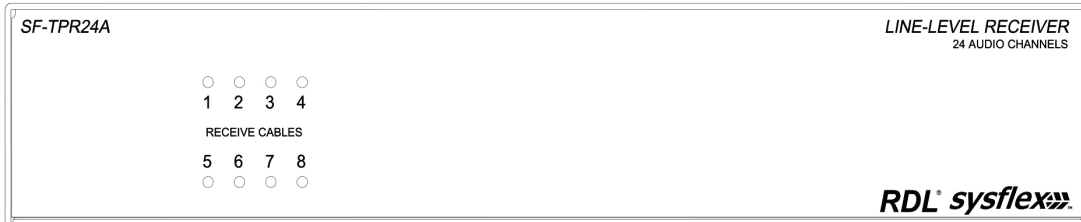
Model SF-TPR24A Line-Level Receiver

Installation/Operation



Declaration of Conformity available from rdlnet.com.
Sole EMC specifications provided on product package.
Specifications are subject to change without notice.

Front-Panel green LEDs indicate valid module power on each RJ45.



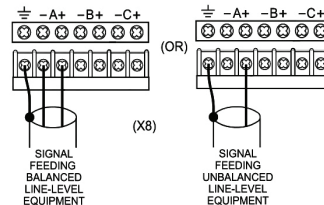
Connection from Single-Pair, Two-Pair or Three-Pair Senders (direct, or via an RDL Twisted Pair Power Inserter)

or

Connection from Format-A Distributor

or

Connection from other Format-A Receivers



TYPICAL PERFORMANCE

Inputs (8):	RDL Format-A RJ45
Input Connections:	A, B, C (per section)
Format-A Signal Pairs Used (3):	150 Ω Balanced
Outputs (24):	Detachable Terminal Block (Balanced)
Output Connection:	+4 dBu Bal. nominal, +22 dBu Max
Output Level:	10 Hz to 50 kHz (± 0.1 dB)
Frequency Response:	< 0.005%
THD+N:	< 90 dB
Noise below +4 dBu:	Below noise floor (20 Hz to 20 kHz, +4 dBu input)
Crosstalk:	> 18 dB
Headroom above +4 dBu:	> 80 dB (50 Hz to 150 Hz)
CMRR:	Power (1 per RJ45)
Indicators (8):	

Power Connections (2):
Ambient Operating Environment:
Power Requirement:

Dimensions:

Package Type:
Package Dimensions:

Shipping Weight:
WEEE weight:
Tariff code:

Power Jack; Detachable Terminal Block
0° C to 55° C
24 Vdc @ 360 mA
plus connected loads (1.6 A max)
8.74" (22.2 cm) W; 1.68" (4.27 cm) H; 5.78" (14.68 cm) D
Cardboard Box
9.5" (24.1 cm) W; 2.25" (5.71 cm) H; 7" (17.8 cm) D
2.66 lbs.
2.32 lbs.
8543.70.9960

Radio Design Labs Technical Support Centers

U.S.A. (800) 933-1780, (928) 778-3554; Fax: (928) 778-3506

Europe [NH Amsterdam] (+31) 20-6238 983; Fax: (+31) 20-6225-287