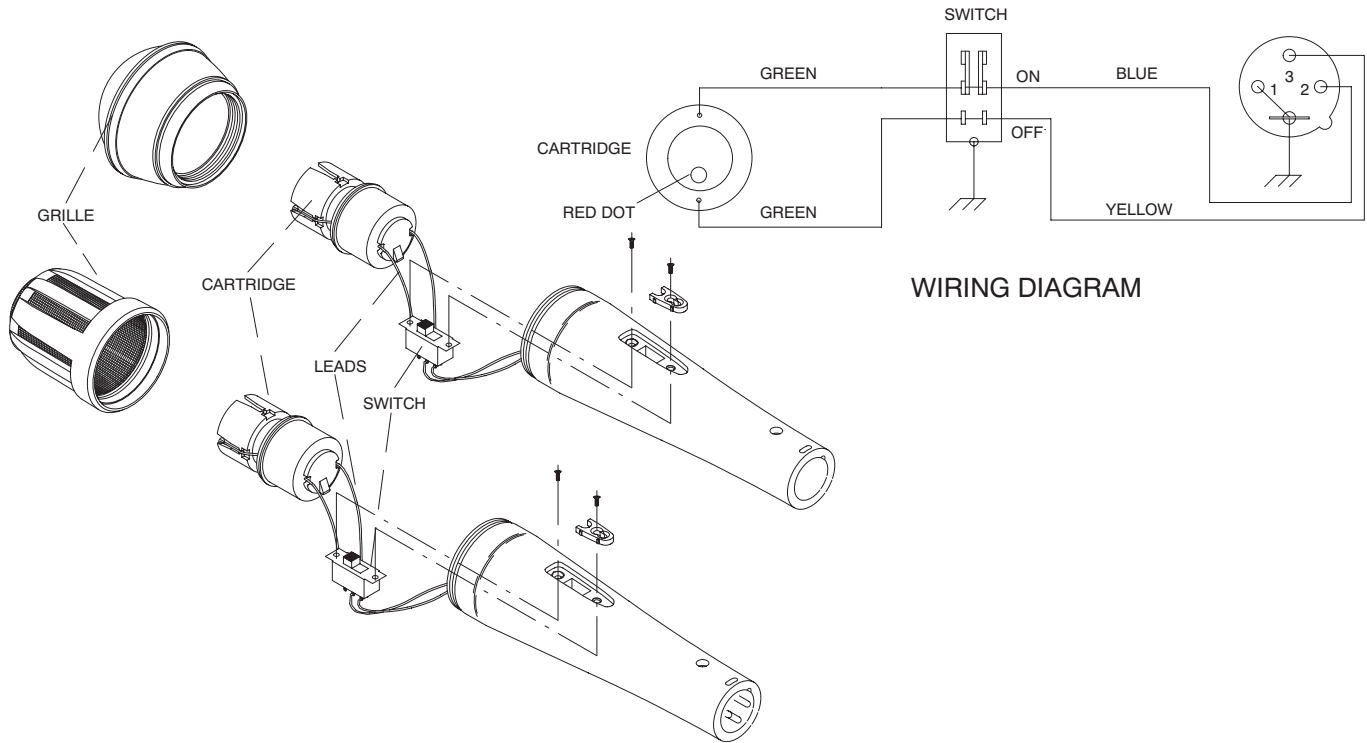


### REPLACEMENT CARTRIDGE R187 FOR MODELS 10A AND 12A REPLACEMENT CARTRIDGE R197 FOR MODEL 14A



It is recommended that the following procedure be performed on a table or other flat surface to support the cartridge and case in order to avoid the possibility of breaking the cartridge leads.

#### To replace the cartridge in the 10A, 12A, or 14A, proceed as follows:

1. Unscrew and remove the grille (turning counter-clockwise).
2. Gently pull out the old cartridge, being careful not to break the leads.
3. Using a Phillips screwdriver, remove the screws which hold the switch in place.
4. Using long-nose pliers, gently pull out the switch, being careful not to break the leads.
5. Unsolder and remove the leads of the old cartridge from the switch. Discard the old cartridge.  
**CAUTION:** To prevent damage, a soldering iron between 25 and 40 watts is recommended.
6. Solder the lead closest to the RED dot on the new cartridge (see wiring diagram above) to the terminal with the YELLOW lead on the switch.
7. Solder the other lead from the new cartridge to the terminal with the BLUE lead on the switch.
8. Using long-nose pliers, carefully replace the switch in the case with the blank terminal on the switch facing towards the cartridge (to ensure the UP position is ON), being careful not to pinch the leads.
9. Placing your finger inside the case to support the switch, secure the switch with the screws removed in step 3.  
**NOTE:** Do not overtighten the screws.
10. Gently insert the new cartridge into the case, being careful not to pinch the leads, and making sure the foam gasket on the cartridge is above the aluminum ring.
11. Replace and screw on the grille (turning clockwise).



SHURE Incorporated Web Address: <http://www.shure.com>  
5800 W. Touhy Avenue, Niles, IL 60714-4608, U.S.A.  
In U.S.A., Phone: 1-847-600-2000 Fax: 1-847-600-1212  
In Europe, Phone: 49-7131-72140 Fax: 49-7131-721414  
In Asia, Phone: 1-852-2893-4290 Fax: 1-852-2893-4055  
International Fax: 1-847-600-6446