

ACCESSORIES

Model RLC10K & RLC10KS

Remote Level Control

ANYWHERE YOU NEED...

- Remote Level Control Panel
- Rotary Control
- Direct Connection to RDL ST-VCA2, RU-VCA2, RU-VCA2D
- *Single* Control Location
- Premium Quality Remote Panel
- Professional Aesthetic Appearance

You Need The RLC10K!



The RLC10K is part of the group of versatile accessory products from Radio Design Labs. The RLC10K combines durable construction with high quality components and attractive, professional graphics. It mounts in separately available electrical wall boxes using standard decorative mounting plates.

APPLICATION: The RLC10K is the ideal companion to the RDL ST-VCA2, RU-VCA2 and RU-VCA2D where levels are to be controlled from a single remote location.

The RLC10K is designed to directly interface with the 3-wire **0 to 10** volt control input of the RDL voltage-controlled amplifier. The RLC10K contains a high quality 10 k Ω potentiometer for setting the control voltage.

The RLC10K panel has ten graphic increments, which provide a visual indication of the level setting. The attractive design of the RLC10K matches the appearance of other RDL accessories such as the RCS4 remote source selector. The RLC10K and RCS4 may be mounted together in a double box/plate to form a visually appealing control of both audio source and audio level (Note: The RCS4 is the remote control panel for use with RDL's RU-SX4A four-input audio selector).

The RLC10K is constructed on a steel frame. The electronics are fully protected within the rear enclosure. Connections are made through a full-size barrier block on the rear panel. The front-panel polycarbonate overlay protects the panel graphics and provides for labeling, using RDL's LBL-1 labeling kit.

All the RLC10K features combine to make it the ideal economical choice for single-point, remote-level control in high quality systems. Use the RLC10K individually with an RDL control module, or combine it side-by-side with other RDL remote accessories as part of a complete audio/video system.

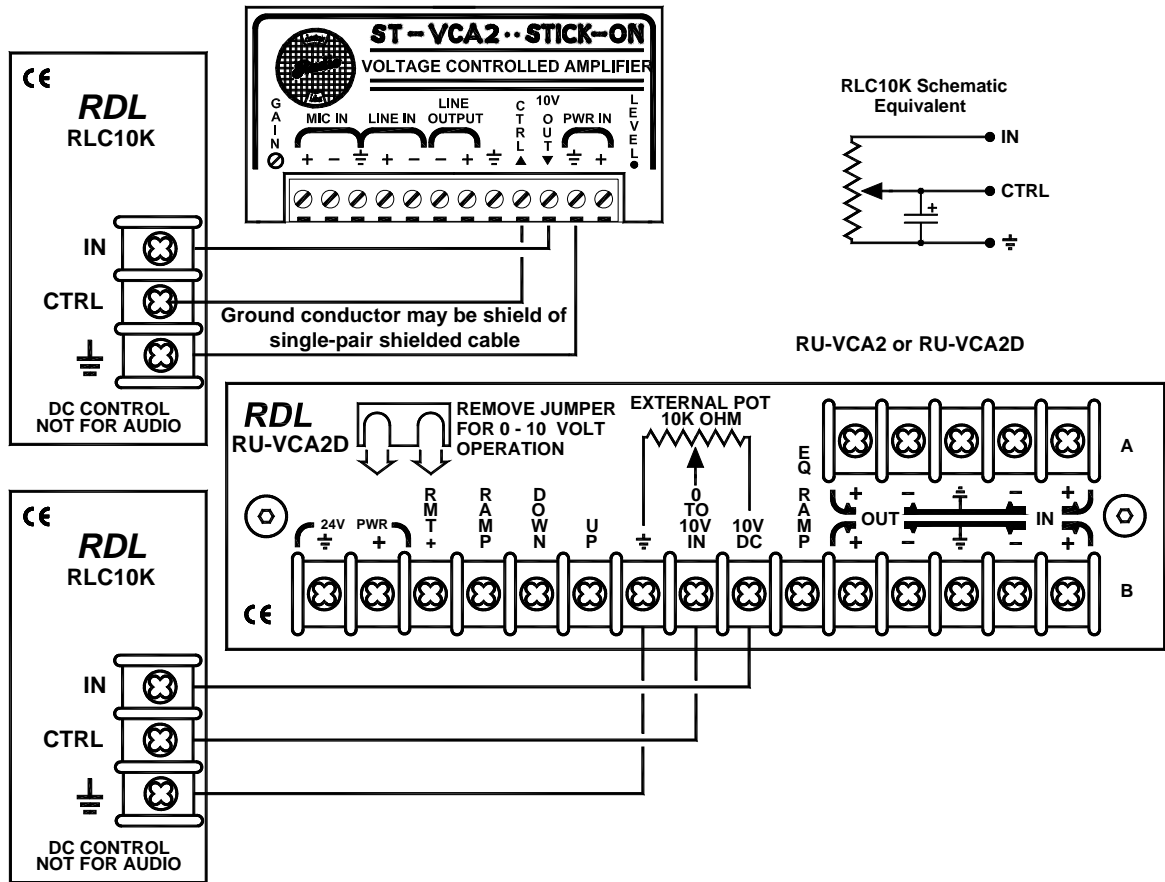
ACCESSORIES

Model RLC10K & RLC10KS Remote Level Control

Installation/Operation



EN55103-1 E1-E5; EN55103-2 E1-E4
Typical Performance reflects product at publication time
exclusive of EMC data, if any, supplied with product.
Specifications are subject to change without notice.



TYPICAL PERFORMANCE

Resistance:	0 to 10 kΩ, linear
Mounting:	Mounts in standard US electrical box; decorative plate available separately
Dimensions:	Height: 4.1 in. 10.4 cm
	Depth: 1.6 in. 4.1 cm (without knob)
	Depth: 2.2 in. 5.6 cm (with knob)
	Width: 1.3 in. 3.3 cm