



Security Camera Housings | Product Guide





NORMAL HOUSING

UNI-ONL7C2 (clear lower dome)
UNI-ONL7T2 (tinted lower dome)

- Outdoor dome, UV protected
- Thermostatically controlled heater
- 24 Hour fan operation for effective heating and condensation protection
- Optically correct polycarbonate lower dome
- Choice of clear or tinted lower dome
- 24vac input into enclosure, AC 24V feed to camera inside enclosure provided
- Pendant mount, 1 1/2" NPT quick connect coupling
- Accepts the SNC-RX550N and SNC-RZ25N cameras



VANDAL RESISTANT HOUSING

UNI-ORL7C2 (clear)
UNI-ORL7T2 (tinted)

- Outdoor dome, UV protected
- Strong cast aluminum top and trim ring
- Rugged polycarbonate lower dome
- Thermostatically controlled heaters
- 24 Hour fan operation for effective heating and condensation protection
- Optically correct, clear or tinted lower dome
- 24vac input into enclosure, AC 24V feed to camera inside enclosure provided
- Pendant mount, 1 1/2" NPT quick connect coupling
- Accepts the SNC-RX550N and SNC-RZ25N cameras

SNC-RZ25N



Outdoor housing for SNC-RX550N; SNC-RZ25N



SNC-RX550N



WIRELESS READY – Normal Housing

UNI-ONL7C2W (clear) • UNI-ONL7T2W (tinted)

- Outdoor dome, UV protected
- Wireless antenna cable included with housing, female N-connector on dome, cable with MMCX connector in enclosure to connect directly to optional SNCA-CFW1
- To be used with SNCA-CFW1 wireless card. (Purchased separately) – 2 foot cable with N-connectors included. SNCA-AN1 antenna or user provided antenna may be used. (Purchased separately)
- Thermostatically controlled heater
- 24 Hour fan operation for effective heating and condensation protection
- Optically correct polycarbonate lower dome
- Choice of clear or tinted lower dome
- 24vac input into enclosure, AC 24V feed to camera inside enclosure provided
- Pendant mount, 1 1/2" NPT quick connect coupling
- Accepts the SNC-RX550N and SNC-RZ25N cameras



PRESSURIZED HOUSING

UNI-OPL7C2 (clear)
UNI-OPL7T2 (tinted)

- Pressurized outdoor dome, UV protected
- Eliminates condensation, bugs and other debris
- Great corrosion protection, perfect for coast lines, and other extreme environmental conditions
- 5-7 psi pressure relief valve
- IP67
- Thermostatically controlled heaters
- 24 Hour fan operation for effective heating and condensation protection
- Optically correct polycarbonate, clear or tinted lower dome
- 24vac input via multi-pin connector
- Pendant mount, 1 1/2" NPT quick connect coupling
- Accepts the SNC-RX550N and SNC-RZ25N cameras



WIRELESS READY – Vandal Resistant Housing

UNI-ORL7C2W (clear lower dome)
UNI-ORL7T2W (tinted lower dome)

- Outdoor dome, UV protected
- Wireless antenna cable included with housing, female N-connector on dome, cable with MMCX connector in enclosure to connect directly to optional SNCA-CFW1
- To be used with SNCA-CFW1 wireless card. (Purchased separately) – 2 foot cable with N-connectors included. SNCA-AN1 antenna or user provided antenna may be used.
- Strong cast aluminum top and trim ring
- Rugged polycarbonate lower dome
- Thermostatically controlled heaters
- 24 Hour fan operation for effective heating and condensation protection
- Optically correct, clear or tinted lower dome
- 24vac input into enclosure, AC 24V feed to camera inside enclosure provided
- Pendant mount, 1 1/2" NPT quick connect coupling
- Accepts the SNC-RX550N and SNC-RZ25N cameras

SNC-RZ50N



Outdoor housing for SNC-RZ50N; SNC-RZ30N



SNC-RZ30N

PRESSURIZED HOUSING

UNI-OPS7C1 (clear) • UNI-OPS7T1 (tinted)

- Pressurized outdoor dome, UV protected
- Eliminates condensation, bugs and other debris
- Great corrosion protection, perfect for coast lines, and other extreme environmental conditions
- 5-7 psi pressure relief valve
- IP67
- Thermostatically controlled heaters
- 24 Hour fan operation for effective heating and condensation protection
- Optically correct polycarbonate, clear or tinted lower dome
- 24vac input via multi-pin connector
- DC 12V with pre-terminated cable/plug for camera inside enclosure
- Includes internal power supply, for 12vdc camera power
- Pendant mount, 1 1/2" NPT quick connect coupling
- Accepts the SNC-RZ50N and SNC-RZ30N cameras



NORMAL HOUSING

UNI-ONS7C1 (clear lower dome)
UNI-ONS7T1 (tinted lower dome)



- Outdoor dome, UV protected
- Thermostatically controlled heater
- 24 Hour fan operation for effective heating and condensation protection
- Optically correct polycarbonate lower dome
- Choice of clear or tinted lower dome
- Includes internal power supply, for 12vdc camera power
- 24vac input to enclosure
- DC 12V with pre-terminated cable/plug for camera inside enclosure
- Pendant mount, 1 1/2" NPT quick connect coupling
- Accepts the SNC-RZ50N and SNC-RZ30N cameras

WIRELESS READY - Normal Housing

UNI-ONS7C1W (clear) • UNI-ONS7T1W (tinted)

- Outdoor dome, UV protected
- Wireless antenna cable include with housing, female N-connector on dome, cable with MMCX connector in enclosure to connect directly to optional SNCA-CFW1
- To be used with SNCA-CFW1 wireless card. (Purchased separately) – 2 foot cable with N-connectors included. SNCA-AN1 antenna or user provided antenna may be used. (Purchased separately)
- Thermostatically controlled heater
- 24 Hour fan operation for effective heating and condensation protection
- Optically correct polycarbonate lower dome
- Choice of clear or tinted lower dome
- 24vac input into enclosure
- DC 12V with pre-terminated cable/plug for camera inside enclosure
- Includes internal power supply, for 12vdc camera power
- Pendant mount, 1 1/2" NPT quick connect coupling
- Accepts the SNC-RZ50N camera



VANDAL RESISTANT HOUSING

UNI-ORS7C1 (clear)
UNI-ORS7T1 (tinted)



- Outdoor dome, UV protected
- Strong cast aluminum top and trim ring
- Rugged polycarbonate lower dome
- Thermostatically controlled heaters
- 24 Hour fan operation for effective heating and condensation protection
- Optically correct, clear or tinted lower dome
- 24vac input into enclosure
- DC 12V with pre-terminated cable/plug for camera inside enclosure
- Includes internal power supply, for 12vdc camera power
- Pendant mount, 1 1/2" NPT quick connect coupling
- Accepts the SNC-RZ50N and SNC-RZ30N cameras

WIRELESS READY - Vandal Resistant Housing

UNI-ORS7C1W (clear lower dome)
UNI-ORS7T1W (tinted lower dome)

- Outdoor dome, UV protected
- Wireless antenna cable include with housing, female N-connector on dome, cable with MMCX connector in enclosure to connect directly to optional SNCA-CFW1 wireless card (Purchased separately)
- To be used with SNCA-CFW1 wireless card. (Purchased separately) – 2 foot cable with N-connectors included. SNCA-AN1 antenna or user provided antenna may be used.
- Does not include antenna mount
- Strong cast aluminum top and trim ring
- Rugged polycarbonate lower dome
- Thermostatically controlled heaters
- 24 Hour fan operation for effective heating and condensation protection
- Optically correct, clear or tinted lower dome
- 24vac input into enclosure
- DC 12V with pre-terminated cable/plug for camera inside enclosure
- Includes internal power supply, for 12vdc camera power
- Pendant mount, 1 1/2" NPT quick connect coupling
- Accepts the SNC-RZ50N camera



Indoor

Indoor housing for **SNC-RX550N**; **SNC-RZ25N**

SNC-RZ25N



SNC-RX550N



NORMAL HOUSING

UNI-INL7C2 (clear lower dome)
UNI-INL7T2 (tinted lower dome)

- Indoor dome
- Optically correct polycarbonate lower dome
- Choice of clear or tinted lower dome
- No electronics. User provides AC 24V feeds to camera/enclosure
- Pendant mount, 1 1/2" NPT quick connect coupling
- Accepts the SNC-RX550N and SNC-RZ25N cameras



VANDAL RESISTANT HOUSING

UNI-IRL7C2 (clear)
UNI-IRL7T2 (tinted)

- Indoor dome
- Strong cast aluminum top and trim ring
- Rugged polycarbonate lower dome
- Optically correct, clear or tinted lower dome
- No electronics. User provides AC 24V feeds to camera/enclosure
- Pendant mount, 1 1/2" NPT quick connect coupling
- Accepts the SNC-RX550N and SNC-RZ25N cameras





Indoor housing for SNC-RZ50N; SNC-RZ30N



SNC-RZ30N

NORMAL HOUSING

- UNI-INS7C3 (clear lower dome)
- UNI-INS7T3 (tinted lower dome)

- Indoor dome
- Optically correct polycarbonate lower dome
- Choice of clear or tinted lower dome
- No electronics. User provides power feed to camera/enclosure
- Pendant mount, 1 1/2" NPT quick connect coupling
- Accepts the SNC-RZ50N and SNC-RZ30N cameras



VANDAL RESISTANT HOUSING

- UNI-IRS7C3 (clear)
- UNI-IRS7T3 (tinted)

- Indoor dome
- Strong cast aluminum top and trim ring
- Rugged polycarbonate lower dome
- Optically correct, clear or tinted lower dome
- No electronics. User provides power feed to camera/enclosure
- Pendant mount, 1 1/2" NPT quick connect coupling
- Accepts the SNC-RZ50N and SNC-RZ30N cameras



NORMAL HOUSING

- UNI-INS7C1 (clear lower dome)
- UNI-INS7T1 (tinted lower dome)

- Indoor dome
- Optically correct polycarbonate lower dome
- Choice of clear or tinted lower dome
- AC 24V input into enclosure, DC12V camera power and plug provided inside enclosure
- Pendant mount, 1 1/2" NPT quick connect coupling
- Accepts the SNC-RZ50N and SNC-RZ30N cameras



VANDAL RESISTANT HOUSING

- UNI-IRS7C1 (clear) • UNI-IRS7T1 (tinted)

- Indoor dome
- Strong cast aluminum top and trim ring
- Rugged polycarbonate lower dome
- Optically correct, clear or tinted lower dome
- AC 24V input into enclosure, DC12V camera power and plug provided inside enclosure
- Pendant mount, 1 1/2" NPT quick connect coupling
- Accepts the SNC-RZ50N and SNC-RZ30N cameras





SNC-RX550N

Recessed Ceiling Housings for the SNC-RX550N, SNC-RZ50N*

YT-ICB550/C (Flush mount kit with clear lower dome for SNC-RX550N)

- Recessed ceiling housing with clear lower dome
- Light loss is 1 F-Stop
- No electronics. Interface wiring (ethernet, sensor I/O, power provided by user)
- Trim ring included



YT-ICB550/T (Flush mount kit with tinted lower dome for SNC-RX550N)

- Recessed ceiling housing with tinted lower dome
- Light loss is 1 F-Stop
- No electronics. Interface wiring (ethernet, sensor I/O, power provided by user)
- Trim ring included

YT-MA550 (Mounting adaptor for the SNC-RZ50N)

- Needed for installation onto the YT-ICB550

* Requires YT-MA550 Mounting Adaptor for SNC-RZ50N to fit into YT-ICB550.



SNC-RZ25N

SNC-RZ50N



Recessed Ceiling Housings for the SNC-RZ30N, SNC-RZ25N, SNC-RZ50N



SNC-RZ30N

SNC-ID7C1

- 7" diameter dome indoor recessed ceiling housing
- Clear lower dome
- White trim ring
- No electronics. Interface wiring (ethernet, sensor I/O, power provided by user)
- Plenum rated metal top



SNC-ID7T1

- 7" diameter dome indoor recessed ceiling housing
- Tinted lower dome
- White trim ring
- No electronics. Interface wiring (ethernet, sensor I/O, power provided by user)
- Plenum rated metal top
- Light loss is 1.2 F-Stop maximum



SNC-Z20N

Housings for the SNC-Z20N, SNC-CS50N, SNC-CS10, SNC-CS11



SNC-CS11

SNC-UNIHB/1 (Outdoor wall mount housing with heater and blower)

- Extruded aluminum housing
- Tamper resistant camera housing lock down screws provided
- High strength steel wall mount bracket included
- Outdoor models include AC 24V heater and blower



SNC-CS50N

SNC-UNI (Indoor wall mount housing without heater/blower)

- Extruded aluminum housing
- Tamper resistant camera housing lock down screws provided
- High strength steel wall mount bracket included



SNC-CS50N

Recessed Ceiling housings for Fixed Cameras SNC-CS50N, SNC-Z20N, SNC-CS11, SNC-CS10



SNC-Z20N

UNI-IFF7C3

- 7" diameter dome indoor recessed ceiling housing
- Clear lower dome
- White trim ring
- No electronics. Interface wiring (ethernet, sensor I/O, power provided by user)
- Plenum rated metal top



SNC-CS11

UNI-IFF7T3

- 7" diameter dome indoor recessed ceiling housing
- Tinted lower dome
- White trim ring
- No electronics. Interface wiring (ethernet, sensor I/O, power provided by user)
- Plenum rated metal top
- Light loss is 1.2 F-Stop maximum



SNC-CS10

Pendant Mount Mini Dome Bracket for SNC-DF70N, SSC-CD73V

SSC-CD73V



SNC-DF70N

UNI-MDB1

- Gooseneck wall mount bracket included
- 1" NPT
- Gooseneck wall mount installs directly to wall or UNI-PMA1, UNI-CMA1, UNI-PBU1
- Die-cast aluminum construction on Mini Dome adapter



Power Block Unit



UNI-PBU1

- 220V/110Vac input, 84va capacity
- Rugged outdoor NEMA box
- 24Vac output for camera, heater and blower
- Fused protected output
- Hinged door for easy access
- UNI-WMB1, UNI-MDB1 mounts directly to hinged door

Mounting Accessories



UNI-WMB1
Gooseneck
Wall Mount



UNI-RMB1
Aluminum
Parapet Mount



UNI-PMA1
Aluminum Existing
Pole Mount Adaptor



UNI-CMA1
Aluminum Corner
Mount Adaptor

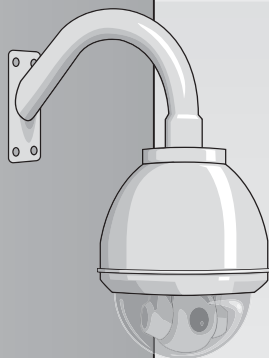


UNI-PBU1
Power Block Unit

UNI-WMB1 Wall Mount

Mounting Accessories Needed:

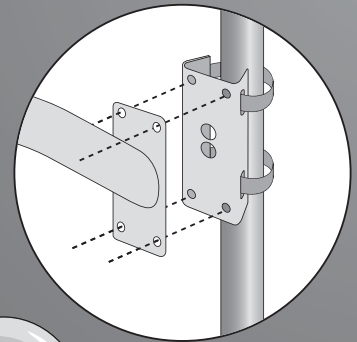
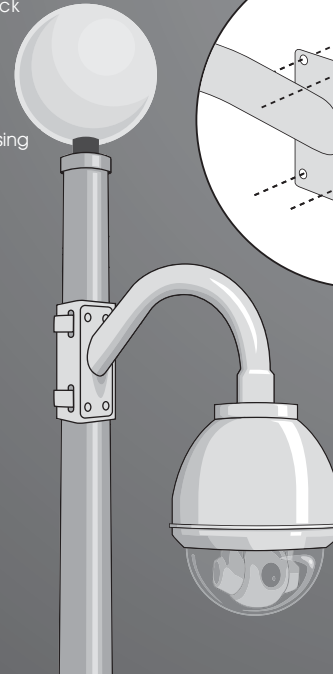
- UNI-WMB1 – Gooseneck Wall Mount
- Outdoor Pendant Housing



UNI-PMA1 Pole Mount

Mounting Accessories Needed:

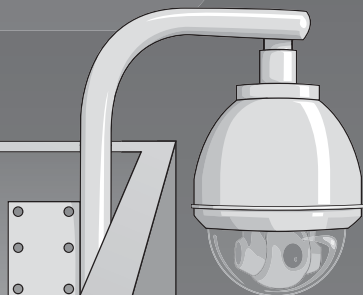
- UNI-WMB1 – Gooseneck Wall Mount
- UNI-PMA1 – Aluminum Existing Pole Mount Adaptor
- Outdoor Pendant Housing



UNI-RMB1 Roof Mount (Parapet)

Mounting Accessories Needed:

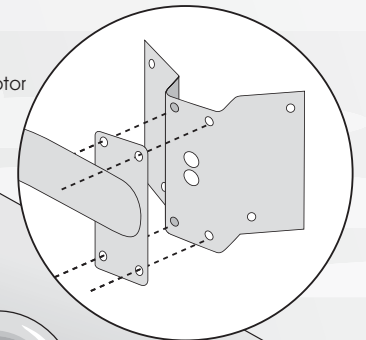
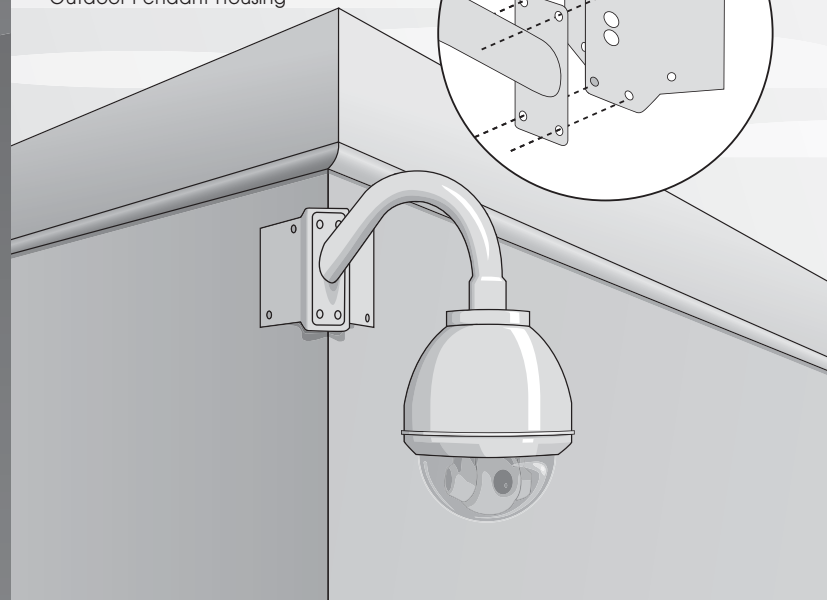
- UNI-RMB1 – Aluminum Parapet Mount
- Outdoor Pendant Housing



UNI-CMA1 Corner Mount

Mounting Accessories Needed:

- UNI-CMA1 – Aluminum Corner Mount Adaptor
- UNI-WMB1 – Gooseneck Wall Mount
- Outdoor Pendant Housing

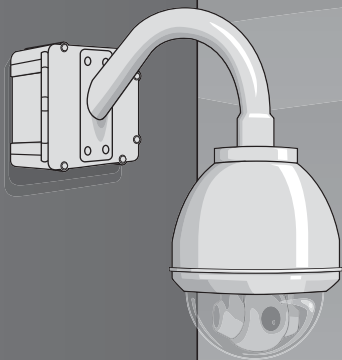




UNI-PBU1 Power Block Unit (Wall Mount)

Mounting Accessories Needed:

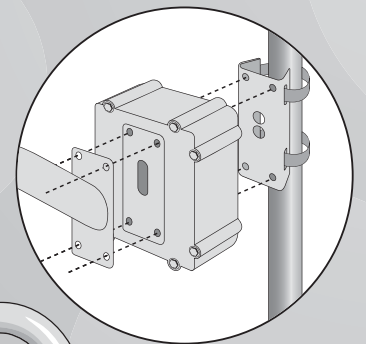
- UNI-WMB1 – Gooseneck Wall Mount



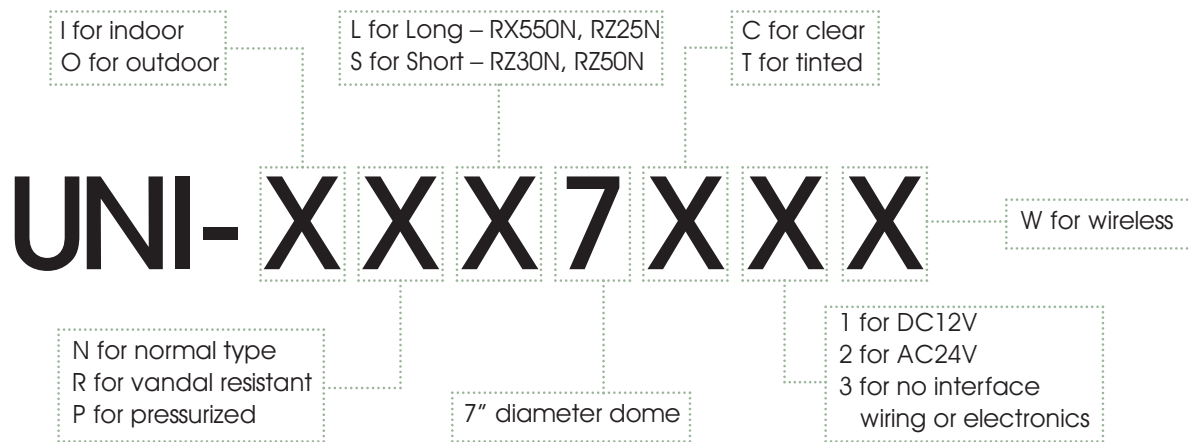
UNI-PBU1 Power Block Unit (Pole Mount)

Mounting Accessories Needed:

- UNI-PMA1 – Aluminum Existing Pole Mount Adaptor
- UNI-WMB1 – Gooseneck Wall Mount



Pendant Dome Housing Model Naming Convention



Example: UNI-ONL7C2

Outdoor (with heater/blower), normal type, for RZ25N or RX550N, 7" diameter, clear dome, AC24V feed

Housing Selection Guide

		SNC-RX550N / SNC-RZ25N			SNC-RZ50N / SNC-RZ30N		
		Normal	Vandal Resistant	Pressurized	Normal	Vandal Resistant	Pressurized
Outdoor housing for pan/tilt/zoom network camera, pendant mount type, w/ heater & blower. AC 24V interface, AC 24V power supply NOT included.	Clear Dome	UNI-ONL7C2	UNI-ORL7C2	UNI-OPL7C2	UNI-ONS7C1	UNI-ORS7C1	UNI-OPS7C1
	Tinted Dome	UNI-ONL7T2	UNI-ORL7T2	UNI-OPL7T2	UNI-ONS7T1	UNI-ORS7T1	UNI-OPS7T1
Wireless Ready Outdoor housings for pendant mount type, w/ heater & blower. Prewired internally for use with SNCA-CFW1. Dome has N-type connector interface on the top to accept external antenna. External antenna & mount NOT included. AC 24V feed, AC 24V power supply NOT included.	Clear Dome	UNI-ONL7C2W	UNI-ORL7C2W	–	UNI-ONS7C1W	UNI-ORS7C1W	–
	Tinted Dome	UNI-ONL7T2W	UNI-ORL7T2W	–	UNI-ONS7T1W	UNI-ORS7T1W	–
Indoor Long housing for pan/tilt/zoom network camera, pendant mount type, no heater/ blower or interface wiring included.	Clear Dome	UNI-INL7C2	UNI-IRL7C2	–	–	–	–
	Tinted Dome	UNI-INL7T2	UNI-IRL7T2	–	–	–	–
Indoor Short housing, pendant mount type, no heater/blower, internal AC 24V to DC-12V for camera feed, AC 24V external interface wiring included, AC 24V power supply NOT included.	Clear Dome	–	–	–	UNI-INS7C1 UNI-INS7C3	UNI-RS7C1	–
	Tinted Dome	–	–	–	UNI-INS7T1 UNI-INS7T3	UNI-RS7T1	–

WIRELESS

Recessed Ceiling Housing

SNC-RX550N, SNC-RZ50N*		SNC-RZ25N, SNC-RZ30N, SNC-RZ50N	
Clear	Tinted	Clear	Tinted
YT-ICB550/C	YT-ICB550/T	SNC-ID7C1	SNC-ID7T1

* YT-MA550 required to mount SNC-RZ50N to YT-ICB550.

Housing with Wall Bracket

SNC-CS50N, SNC-Z20N, SNC-CS10, SNC-CS11	
Outdoor	Indoor (no heater/blower)
SNC-UNIHB/1	SNC-UNI

Recessed Ceiling Housing for Fixed Cameras

SNC-CS50N, SNC-Z20N, SNC-CS11, SNC-CS10	
Clear	Tinted
UNI-IFF7C3	UNI-IFF7T3

Architectural / Engineering Specifications

UNI-PBU1 Power box

Product Features

Designed to work directly with Sony's outdoor dome housings use the UNIWMB1 wall mount bracket. 120 or 220vac input . 24VAC @ 84va output. Designed to meet Nema 4 and IP 66 standards. (2) 3/4" conduit inputs are located at the bottom of the box for input wiring. Strong cast aluminum construction. Re-settable fuse for camera and accessory power (heater/blower). On/off switch for safety. Description: The UNI-PBU1 is an outdoor power supply design to complement Sony's Outdoor enclosures. Unit comes standard with 84va power supply, designed for either 220Vac or 120Vac input with 24Vac output.

UNI-PBU1 Bid Specifications

The power box shall be a Sony Model UNI-PBU1 or equivalent. The power input shall be a 120vac or 220vac and the output is 24 VAC, rated at 84va (watts). The product includes PTC fuses for the camera power and another one for the heater/blower power. It shall be designed to support one outdoor Sony housing with heaters, blowers and camera. The body of the unit shall be cast aluminum with white power coat finish. (2) 3/4" conduit inputs located at the bottom of the box to provide input for power and for data cabling. The unit is designed for outdoor locations, with an IP 66 rating. **Mechanical Specifications:** Size – 8.8" (h) x 7.9" (w) x 3.8" (d). Weight – 9 lbs. Construction – Cast Aluminum. Operating temperature – -5° F to + 140° F (-20° C to + 60° C). **Electrical Specifications:** Power input – 220/120vac. Power output – 24vac, 84vax (watts). Shipping: UNI-PBU1: 11 lbs* 12 (h) x 12" (w) x 8" (d).

SNC-ID7 Series Bid Specifications

The recessed ceiling housing shall be a Sony Model SNC-ID7T1 & SNC-ID7C1 or equivalent. The housing has been designed and engineered for Sony's SNC-RZ25N, SNC-RZ30N, and SNC-RZ50N cameras. The back box shall be constructed from 18- and 20-gauge steel and be capable of being installed in its entirety from below the ceiling. The steel top will measure 5.5" (h) x 11" (d). The lower injection molded polycarbonate dome shall be available in clear or tinted material. The SNC-ID7T1 includes a tinted lower dome and the SNC-ID7C1 includes a clear lower dome. The lower dome shall be made from injection molded polycarbonate, and held in place by a 19-gauge steel trim ring (white powdercoat finish). The product shall be designed to be installed in either sheetrock or drop ceilings. Three rotating support arms will allow for adjustment to the ceiling material thickness. **Mechanical Specifications:** Size – 9.1" (h) x 12" (w) x 12" (d). Weight – 6 lbs. (without camera). **Shipping:** SNC-ID7T1 & SNC-ID7C1: 10 lbs* 15 (h) x 15" (w) x 12" (d).

SNC-UNI Series Bid Specifications

The SNCUNIHB/1 & SNCUNI environmental housings shall be constructed from two extruded aluminum (.08" wall thickness, white finish) halves and two injection molded polycarbonate end caps. A clear polycarbonate viewing window shall be ultrasonically welded to the inside of the front end cap, creating a watertight seal. The top of the housing shall be hinged from the side to allow accessibility to the camera by one screw in each end cap. Camera adjustment or removal shall be provided via one screw located in the key hole slot on the aluminum camera sled. A 25 vA heater is mounted to the inside of the bottom extrusion, directly behind the viewing window, for defogging and deicing on the SNCUNI-HB/1 model. Four vent plugs (2 in front, 2 in rear) will create a positive airflow (front to rear) when the blower is in use (SNCUNIHB/1 model). Two watertight strain relief plugs will be located at the rear of the housing for separate communication wiring and power cable entry.

Standard Indoor and Outdoor housings, "N" Type

The outdoor dome camera housing shall be a Sony Model UNI-ONL7C2, UNI-ONL7C2W, UNI-ONS7C1, UNI-ONS7C1W or equivalent. The indoor models shall be a Sony Model UNI-INL7C2, UNI-INS7C1, UNI-INS7C3 or equivalent. The UNI-ONL7C2, UNI-ONL7C2W, and UNI-INL7C2 housings shall be designed for the SNC-RX550N and SNC-RZ25N cameras. The UNI-ONS7C1, UNI-ONS7C1W, UNI-INS7C1 and UNI-INS7C3 housings shall be designed for the SNC-RZ50 and SNC-RZ30 cameras. The product should come standard with a pendant mount. The products housing shall be manufactured from a high-impact engineered plastic, UV protected, with a UL flame rating of 94V0. The dome shall be made of an injection molded, optically clear, polycarbonate blend material. The dome shall be held in place with minimum of (3) fasteners, and a safety cable shall be provided to hold the dome while servicing. Access to the enclosure shall be from below with (3) captive fasteners used to press the dome against a sealing O-ring. A twist-off feature shall allow for the final removal of the dome. The wiring enters through the top of the housing on all models. The engineered plastic top, with its reflective white paint, insulates internal equipment. A wall mount bracket, Sony model UNI-WMB1, shall be available as an option. The outdoor models shall also be equipped with 24vac input blower and thermostatically controlled heater. The blower shall draw 1W continuous power. The 25W heater shall turn on at 60°F (15°C) and turn off at 80°F (25°C). The housing shall support a temperature range of -20°F (-29°C) to 122°F (50°C). UNI-ONS7C1, UNI-ONS7C1W and UNI-INS7C1 will include a 24vac to 12vdc power supply built into the housing. The UNI-INS7C3 does not include any electronics, and 12vdc must be supplied to the housing. UNI-ONL7C2W & UNI-ONS7C1W are wireless ready dome housings. The product shall have a pre-installed wireless antenna cable. The product works with the SNCA-CFW1 wireless card & SNCA-AN1 antenna (sold separately).

Vandal Resistant Indoor and Outdoor housings, "R" Type

The vandal resistant outdoor dome camera housing shall be a Sony Model UNI-ORL7C2, UNI-ORL7C2W, UNI-ORS7C1, UNI-ORS7C1W or equivalent. The indoor models shall be a Sony Model UNI-IRL7C2, UNI-INS7C3 or equivalent. The UNI-ORL7C2, UNI-ORL7C2W, and UNI-IRL7C2 housings shall be designed for the SNC-RX550N and SNC-RZ25N cameras. The UNI-ORS7C1, UNI-ORS7C1W, and UNI-IRS7C3 housings shall be designed for the SNC-RZ50 and SNC-RZ30 cameras. The product should come standard with a pendant mount. The housing top and pendant mount bracket shall be manufactured from durable cast aluminum. The dome shall be made of an injection molded, optically clear, polycarbonate blend material. The dome shall be held in place with minimum of (3) fasteners, and a safety cable shall be provided to hold the dome while servicing. Access to the enclosure shall be from below with (3) captive fasteners. A twist-off feature shall allow for the final removal of the dome. The wiring enters through the top of the housing on all models. A wall mount bracket, Sony model UNI-WMB1, shall be available as an option. The outdoor models shall also be equipped with 24vac input blowers and thermostatically controlled heaters. The blower shall draw 2W continuous power. The 50W heaters shall turn on at 60°F (15°C) and turn off at 80°F (25°C). The housing shall support a temperature range of -20°F (-29°C) to 122°F (50°C). UNI-ORS7C1, and UNI-ORS7C1W will include a 24vac to 12vdc power supply built into the housing. The UNI-IRS7C3 does not include any electronics, and 12vdc must be supplied to the housing. UNI-ONL7C2W & UNI-ONS7C1W are wireless ready dome housings. The product shall have a pre-installed wireless antenna cable. The product works with the SNCA-CFW1 wireless card & SNCA-AN1 antenna (sold separately).

Pressurized Outdoor housings, "P" Type

The pressurized outdoor dome camera housing shall be a Sony Model UNI-OPL7C2, UNI-OPS7C1 or equivalent. The UNI-OPL7C2 housing shall be designed for the SNC-RX550N and SNC-RZ25N cameras. The UNI-OPS7C1 housing shall be designed for the SNC-RZ50 and SNC-RZ30 cameras. The product should come standard with a pendant mount. The housing shall be manufactured from a high-impact engineered plastic, UV protected, with a UL flame rating of 94V0. The dome shall be made of an injection molded, optically clear, polycarbonate blend material, and shall be held in place with (9) captive fasteners, used to press the dome against the sealing O-ring. A secondary O-ring seal shall be provided at the top of the enclosure through a precision machined bracket. This machined bracket shall also be provided with a 5 to 7 psi pressure-relief valve and a standard bore thread dill valve to insert inert dry nitrogen into the enclosure. All incoming wires will enter the unit via a 10-pin hermetically sealed connector. Access to the enclosure shall be from below with (9) captive fasteners used to press the dome against a sealing O-ring. A twist-off feature shall allow for the final removal of the dome. The wiring enters through the top of the housing on all models. The engineered plastic top, with its reflective white paint, insulates internal equipment. A wall mount bracket, Sony model UNI-WMB1, shall be available as an option. The housing shall be equipped with 24VAC input blowers and thermostatically controlled heaters. The blowers shall draw 2W continuous power. UNI-OPS7C1 will include a 24vac to 12vdc power supply built into the housing. The 50W heater shall turn on at 60°F (15°C) and turn off at 80°F (25°C). The housing shall support a temperature range of -40°F (-40°C) to 122°F (50°C).



SONY[®]

Sony Electronics Inc.
1 Sony Drive
Park Ridge, NJ 07656
www.sony.com/security

©2007 Sony Electronics Inc. Reproduction in part or in whole without prior written permission is prohibited. All rights reserved. Non-metric weights and measurements are approximate. Features and specifications are subject to change without notice. Sony and IPELA are trademarks of Sony.

Printed USA 3/07 S-HOUSING-A