

GENELEC®

Accessories for Genelec
Two-Way Active Monitors
January 2007





CONTENTS

Floor stands	4
Table stands	5
Stand plates	6
Ceiling mounts	7
Wall mounts	8-9
Flush mount kits	10
Other	11
Carrying accessories	12
Slotwall system	13
Accessory table	14
Monitor line drawings	15

FLOOR STANDS

Floor stand

Stable steel stand with a broad round cast iron base. Base diameter is 450 mm. Adjustable in height using clamping screw and safety pin. Mounting 3/8" thread for any Genelec stand plates, from 8020A to 8050A model.

Load capacity: 35 kg. Weight: 10.6 kg. Height: 950 to 1430 mm.

Packing: double cardboard packing; iron base in one and stand in the second. Suitable for; 8020A, 8030A, 8130A, 8040A, 8240A, 8050A and 8250A.

8000-409B Floor stand (K&M 26741-029-55)



Floor stand

Floor stand for 8020A and 8030A, preferably used together with stand plates. Cast iron base with anti-vibration rubber ring. Weight: 5.4 kg. Height: 870 to 1565 mm. Base diameter: 250 mm. Packing: single cardboard box. Suitable for; 8020A, 8030A and 8130A.

8000-403 Floor stand (K&M 26000-300-55)



8000-409B



8000-403

Associated products

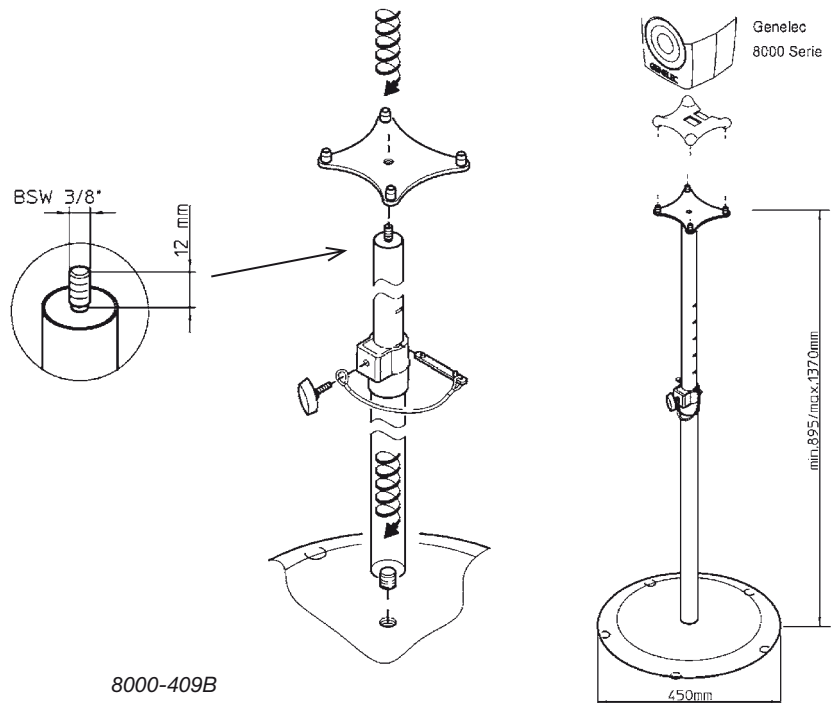


8020-408

8030-408

8040-408

8050-408

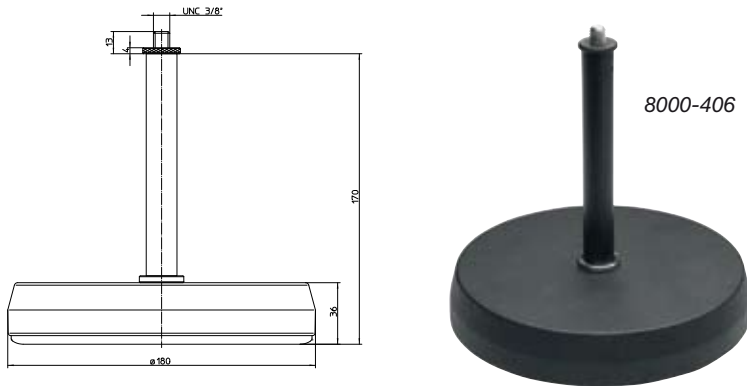


8000-409B

Short table stand

Short table stand providing a raised position for near-field monitors. Suitable for 8020A, 8030A and 8040A. Heavy black cast iron base with anti-vibration rubber ring, diameter 17 mm. Mounting 3/8" thread on the tube top. Preferably used together with stand plates for better positioning. The 8020A and 8030A models have an integrated 3/8" thread for possible direct fixing without stand plate. The 8040A model must be installed with a stand plate.

8000-406 Table stand (K&M 23310-370-55)

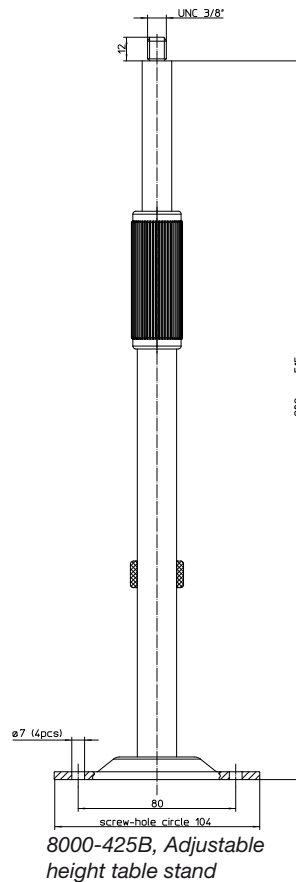


8000-406 with stand plate.

Adjustable height table stand

Adjustable height table stand for 8020A and 8030A with a base plate that can be attached to a table or flat surface. Preferably used with stand plate and IsoPod for better monitor orientation (see picture below). The telescopic tube length (301 to 527 mm) is designed for optimum monitor positioning behind or above computer screens. Screws and fixing nuts for a 40 mm thick table are included.

8000-425B Fixed table stand (K&M 23360-300-55)



Speaker fitted on 8000-425B with stand plate.



8000-425B

8000-425B, Adjustable height table stand

STAND PLATES



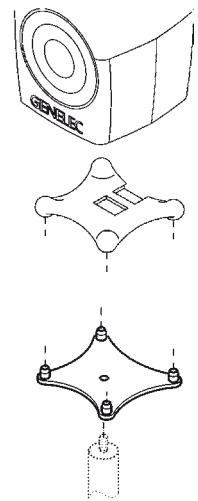
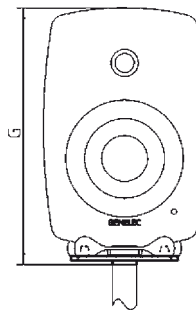
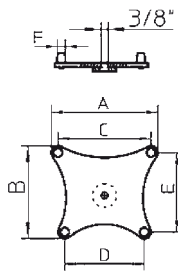
Stand plates 8000 series

Genelec stand plates are designed for use together with the IsoPod that comes with all 8000 series monitors. The IsoPod allows you to angle the monitor for optimum listening condition. Simply mount the stand plate onto the 3/8" thread on the tube and ensure tight screw connection. Place the IsoPod over the four pins of the stand plate.



- 8020-408** Stand plate for 8020 Iso-Pod (K&M 19622-329-55)
- 8030-408** Stand plate for 8030 Iso-Pod (K&M 19623-329-55)
- 8040-408** Stand plate for 8040 Iso-Pod (K&M 19624-329-55)
- 8050-408** Stand plate for 8050 Iso-Pod (K&M 19625-329-55)

	8020A	8030A	8040A	8050A
A	114	126	156	195
B	108	110	136	170
C	96	108	136	170
D	82	93	116	145
E	90	92	116	145
F	ø10	ø10	ø12	ø15
G	254	311	377	464



Stand plate and IsoPod assembly.

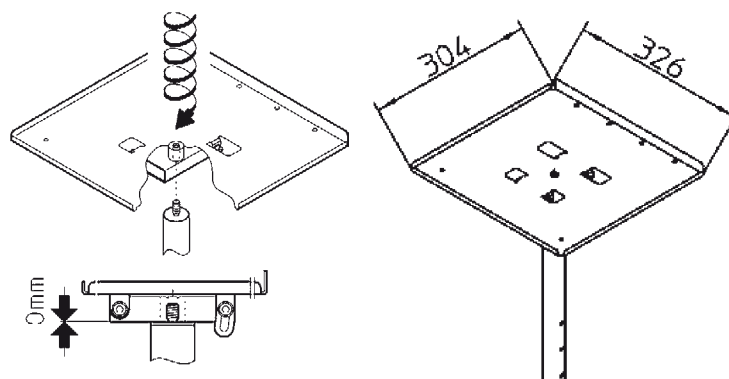


1032-450B.
1032A stand plate mounted on floor stand.

Stand plate for 1032A

Stand plate for 1032A and S30D monitors. To be mounted on a stable floor stand, example 8000-409B (K&M 26741-029-55). The stand plate has a 3/8" thread insert in its centre for further stand assembly. The plate is tiltable 15° and a rear press fit bar keeps the enclosure securely fixed onto the plate.

- 1032-450B** Stand plate for 1032A (K&M 24455-000-55)



Associated products

8000-409B

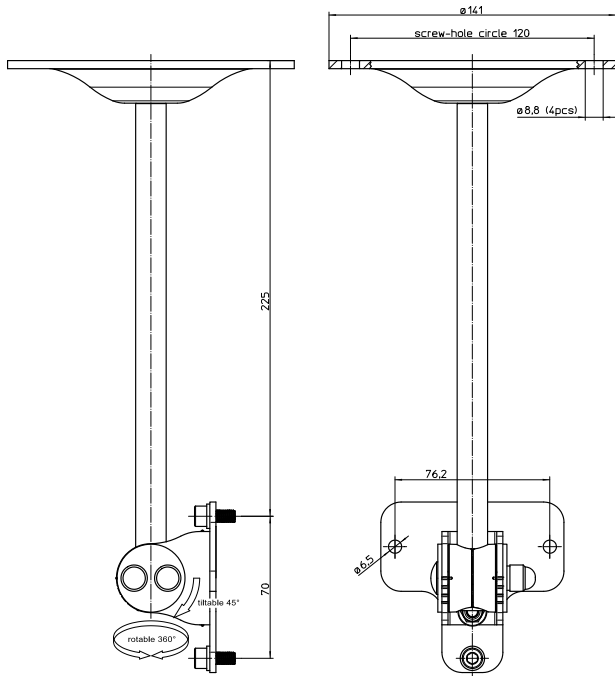


Short ceiling mount

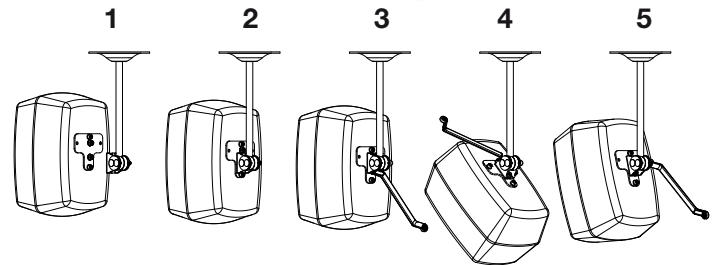
For all 8000 series models. Available in black or white.

8000-435B Black (K&M 24485-000-55)

8000-435W White (K&M 24485-000-57)



CEILING MOUNTS

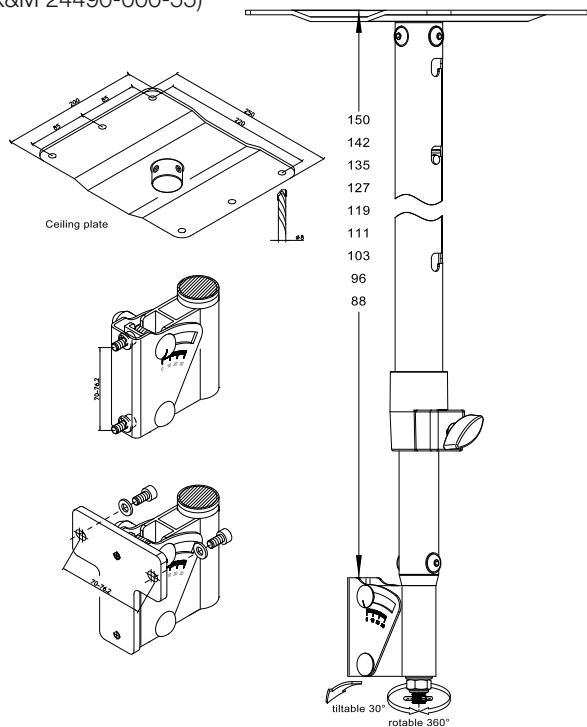


Adjustable height ceiling mount

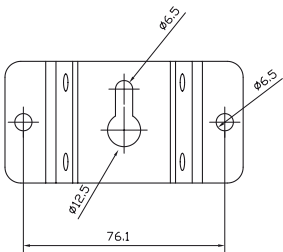
For all 8000 series models. Adjustable length from 905 to 1505 mm.

T-adapter included for 8020A and 8030A models.

8000-415B (K&M 24490-000-55)



WALL MOUNTS 8000 SERIES



8000-410



Fixed wall mount

Wall mount for 8020A and 8030A. Available in black and white. Included in all 8020A.

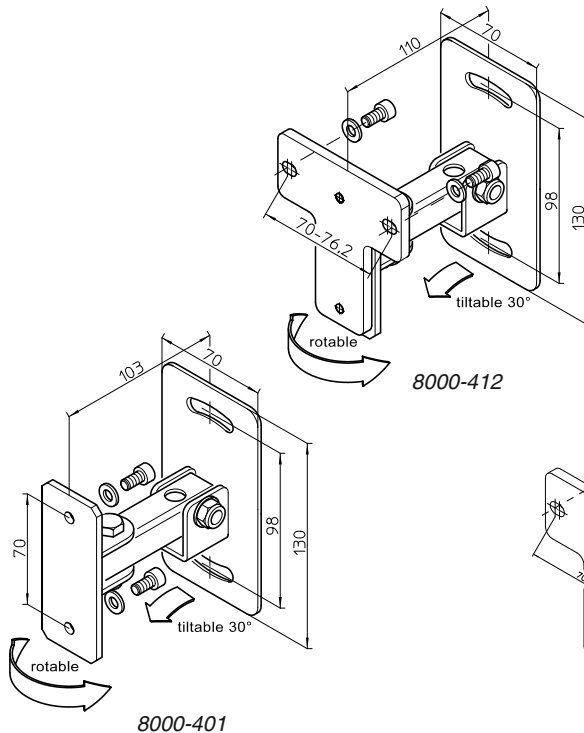
- 8000-410B** Black
- 8000-410W** White



Adjustable wall mount

Wall mounting bracket for 8040A and 8240A. Available in black and white.

- 8000-401B** Black (K&M 24180-000-55)
- 8000-401W** White (K&M 24180-000-57)



8000-401

8000-412



Adjustable wall mount with T-plate

Wall mount with T-plate for 8020A and 8030A. Available in black and white.

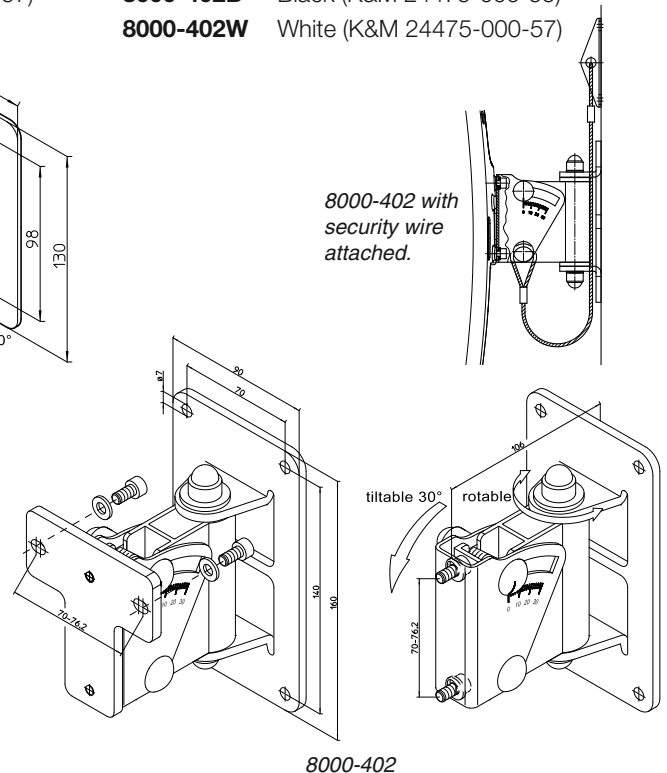
- 8000-412B** Black (K&M 24179-000-55)
- 8000-412W** White (K&M 24179-000-57)



Adjustable wall mount

Wall mounting bracket for 8000 series. Available in black and white. Security wire available, see page 11.

- 8000-402B** Black (K&M 24475-000-55)
- 8000-402W** White (K&M 24475-000-57)



8000-402

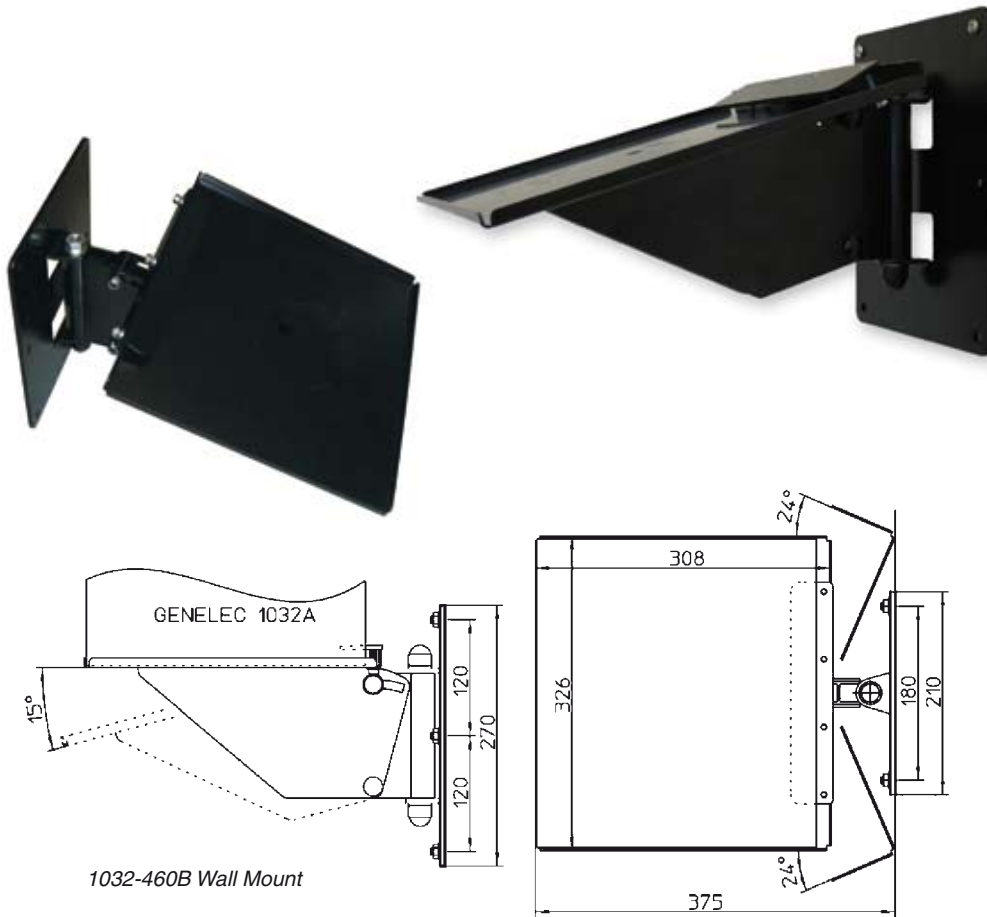
8000-402 with security wire attached.

Wall mount 1032A

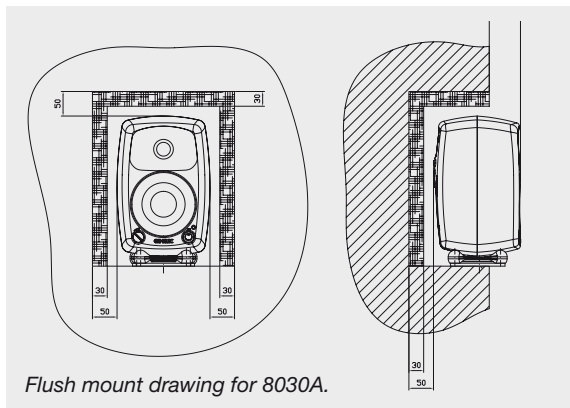
Wall mount for 1032A (also S30D). Tiltable 15° and adjustable for correct monitor positioning. Holds the enclosure securely with a rear press fit bar.

1032-460B Black (K&M 24453-000-55)

WALL MOUNTS



FLUSH MOUNT KITS



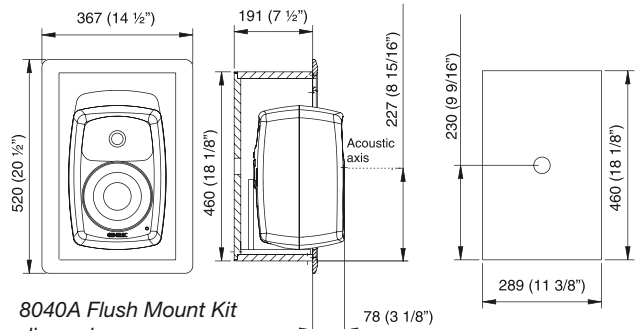
Flush mount drawing for 8030A.

Flush mount kit for one 8040A or 8050A

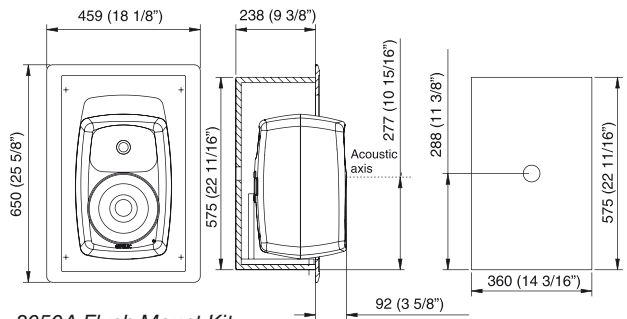
Genelec Flush mount kits are designed for mounting Genelec 8040A or 8050A monitors into a sturdy wall structure. They may not be used for any other purpose.

8040-450B Flush Mount Kit for 8040A and 8240A

8050-450B Flush Mount Kit for 8050A and 8250A

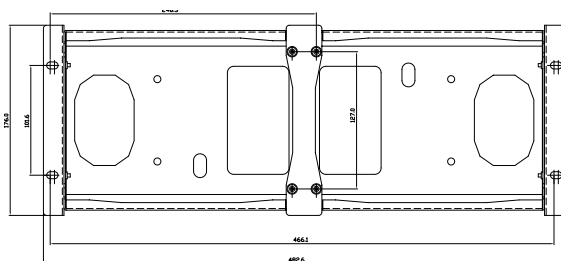


8040A Flush Mount Kit dimensions



8050A Flush Mount Kit dimensions

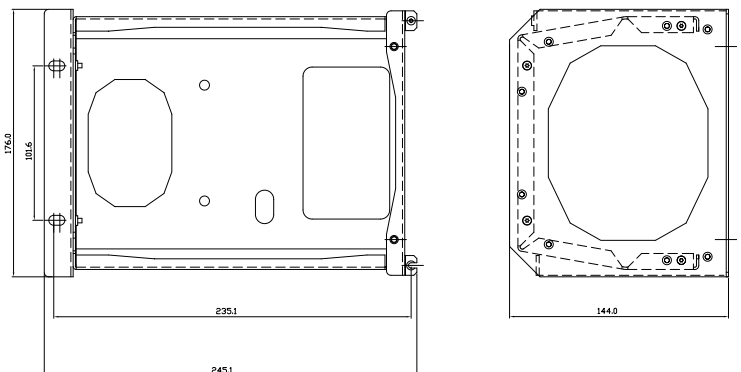
RACK MOUNT KIT



Half 19" rack mount kit for 8020A

Two pieces of Genelec half rack mount kits are necessary to mount a pair of 8020A in a 19" wide equipment rack (see picture).

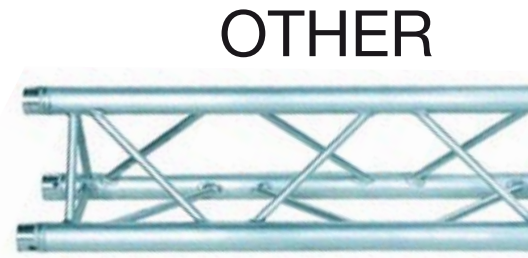
8020-490 Half 19" rack mount kit



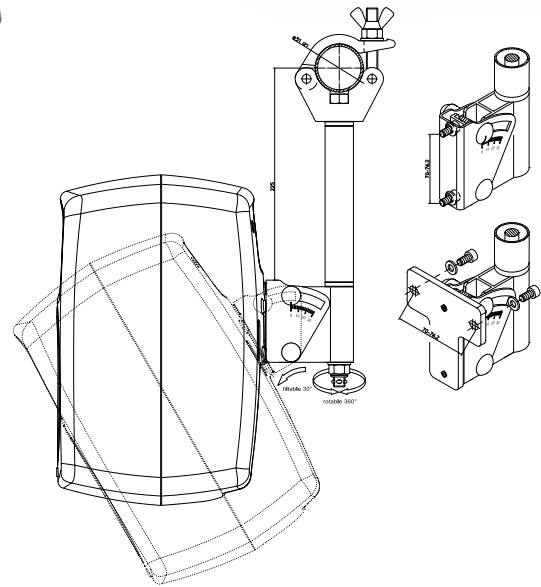
Truss mount kit

Truss mount with clamp for Ø 50 mm tube.
Adaptable to all 8000 series monitors.

8000-417B Truss mount kit (K&M 24495-000-55)



OTHER



Adapter for 36 mm tubes

Adapter kit for mounting 8000 series monitors on 36 mm tubes. Including security wire.

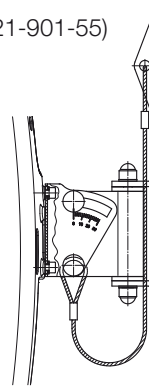
8000-419B (K&M 24521-900-55)



Security wire

Additional security wire, 420mm. Also suitable for Wall mount - part no. 8000-402.

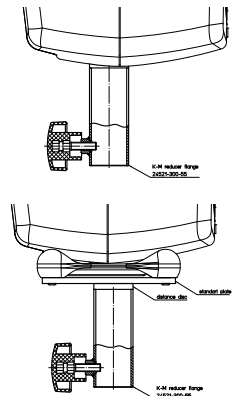
8000-418B (K&M 24521-901-55)



8000-402 with security wire attached.



36 mm stand



Associated products

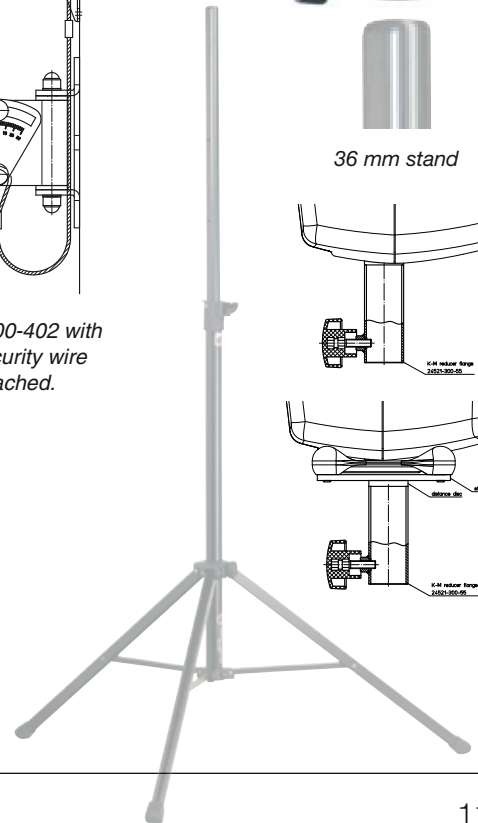


8020-408

8030-408

8040-408

8050-408



CARRYING ACCESSORIES



Handle Strap

Carrying handle strap for one monitor, incl. M6 screw. For all 8000-series models.

8000-430 Handle strap



Bag for 8020A

Soft transportation bag.

8020-421 Bag for 2 pcs 8020A.



Bag for 8030A

Soft transportation bag.

8030-421 Bag for 2 pcs 8030A.



Bag for 8040A

Soft transportation bag.

8040-420 Bag for 2 pcs 8040A or 8240A.



Bag for 8050A

Soft transportation bag.

8050-420 Bag for one 8050A or 8250A.

Slotwall brackets

Slotwall brackets for 8000 series monitors. Each bracket can support one stand plate to allow easy positioning and angling of the monitors.

SLOTWALL MOUNTS



Short slotwall bracket

Slotwall bracket for 8020A and 8030A.

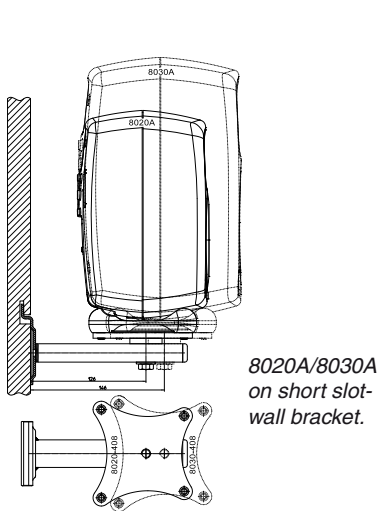
8000-902B (K&M 44102-029-55)



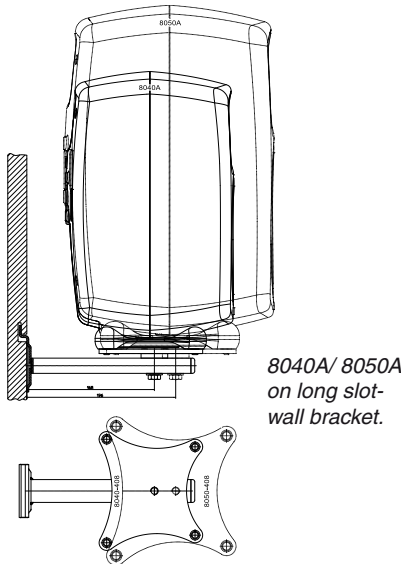
Long slotwall bracket

Slotwall bracket for 8040A and 8050A.

8000-904B (K&M 44104-029-55)



8020A/8030A on short slot-wall bracket.



8040A/ 8050A on long slot-wall bracket.



Associated products



8020-408

8030-408

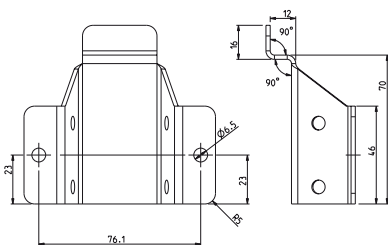
8040-408

8050-408

Simple slotwall bracket

Slotwall bracket for 8020A and 8030A.

MAI-0076 Bracket for 8020A and 8030A.



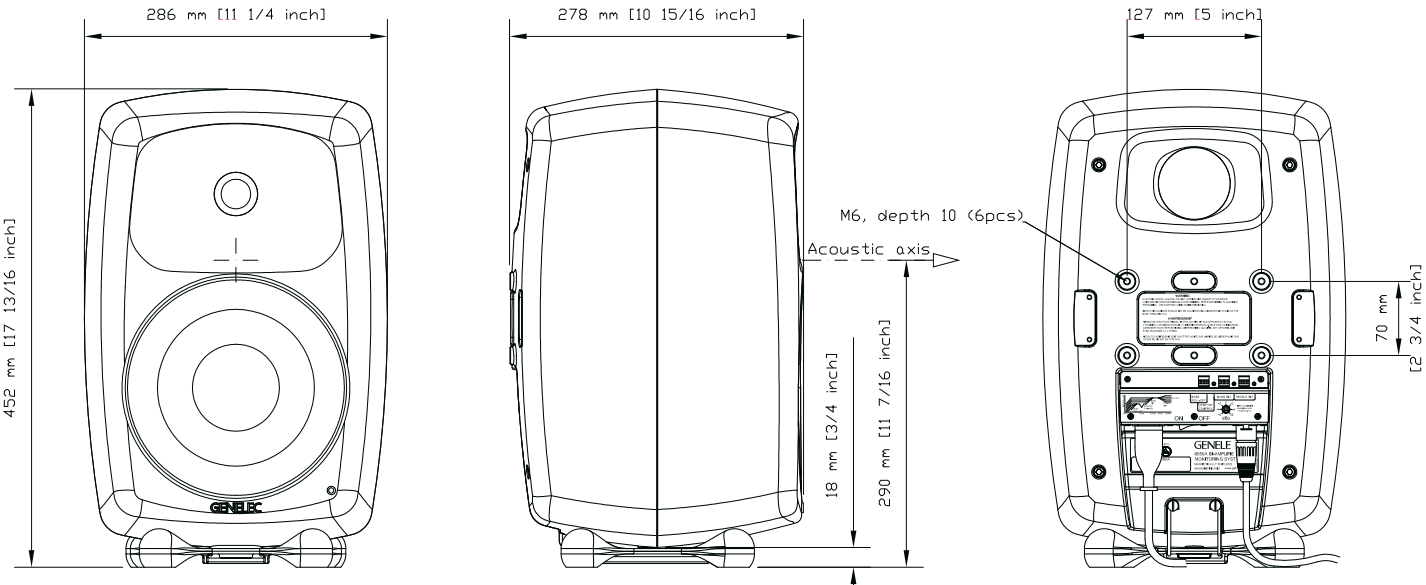
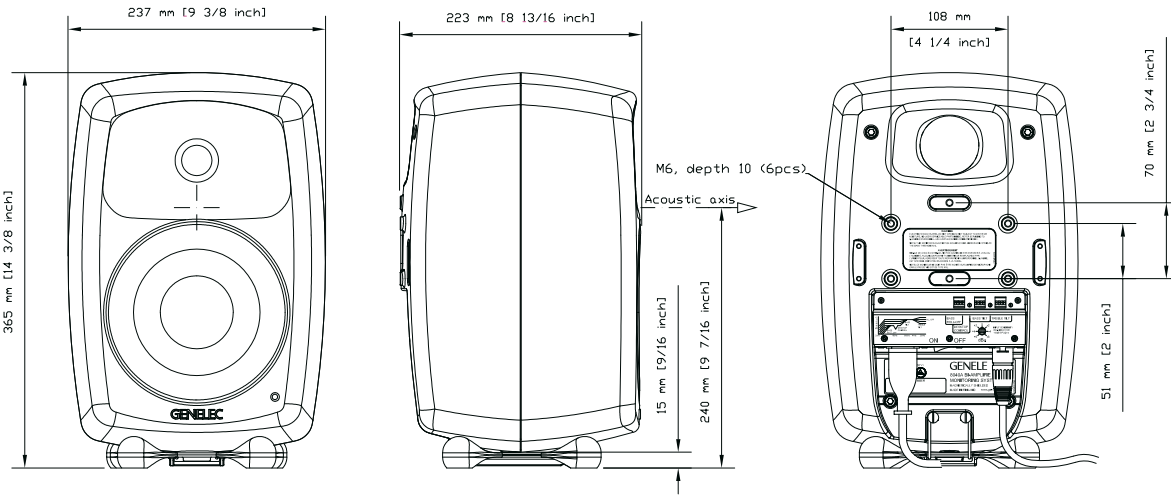
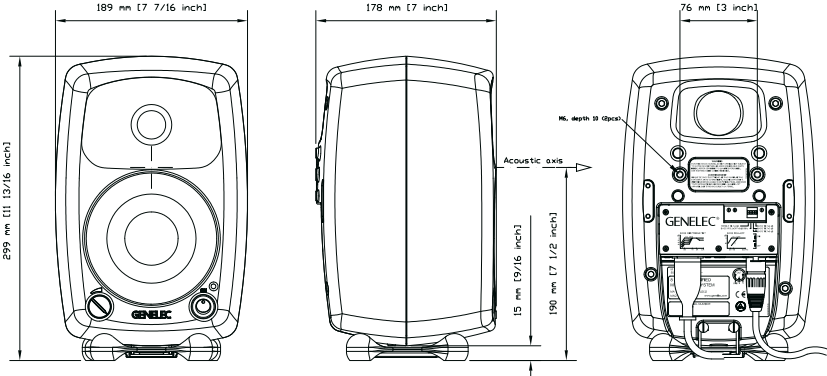
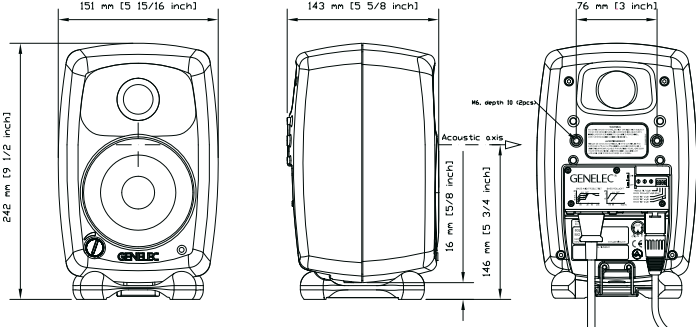
Simple Slotwall bracket used for hanging one 8020A or 8030A in a fixed position.

ACCESSORY TABLE

Order code	Description	Brand / part no	8020A	8030A	8040A 8240A	8050A 8250A	Other
Floor Stands							
8000-409B	Floor stand (950 - 1430 mm)	K&M 26740-000-55	X	X	X	X	
8000-403	Floor stand (mic stand)	K&M 26000-300-55	X	X			
Table Stands							
8000-406	Short table stand (17 cm)	K&M 23310-370-55	X	X	X (1)		
8000-425B	Adjustable height table stand (301-527mm)	K&M 23360-300-55	X	X	X (2)		
Stand Plates							
8020-408	Stand plate for 8020A	K&M 19622-329-55	X				
8030-408	Stand plate for 8030A	K&M 19623-329-55		X			
8040-408	Stand plate for 8040A	K&M 19624-329-55			X		
8050-408	Stand plate for 8050A	K&M 19625-329-55				X	
1032-450B	Stand plate for 1032A (S30D)	K&M 24455-000-55					1032A
Ceiling Mount							
8000-415B	Ceiling mount	K&M 24490-000-55	X	X	X	X	
8000-417B	Adjustable height ceiling mount (905-1505mm)	K&M 24495-000-55	X	X	X	X	
8000-435B	Short ceiling mount, black	K&M 24485-000-55	X	X	X	X	
8000-435W	Short ceiling mount, white	K&M 24485-000-57	X	X	X	X	
Wall Mount							
8000-401	Wall mount, black	K&M 24180-000-55			X		
8000-401W	Wall mount, white	K&M 24180-000-57			X		
8000-412B	Wall mount with T-plate, black	K&M 24179-000-55	X	X			
8000-412W	Wall mount with T-plate, white	K&M 24179-000-57	X	X			
8000-402B	Wall mounting bracket, black	K&M 24475-000-55	X	X	X	X	
8000-402W	Wall mounting bracket, white	K&M 24475-000-57	X	X	X	X	
8000-410B	Wall mount, black (simple bracket)	Genelec	X	X			
8000-410W	Wall mount, white (simple bracket)	Genelec	X	X			
1032-460B	Wall mount for 1032A (S30D)	K&M 24453-000-55					1032A
Flush Mount							
8040-450B	Flush mount kit for one 8040A	Genelec			X		
8050-450B	Flush mount kit for one 8050A	Genelec				X	
Rack Mount							
8020-490	1/2 19" rack mount kit for 8020A (2x1/2=19")	Genelec	X				
Other							
8000-419B	Adapter for 36mm tubes to 3/8"	K&M 24521-900-55	X	X	X	X	
8000-418B	Security wire (for wall mounts)	K&M 24521-901-55	X	X	X	X	
Carrying accessories							
8000-430	Handle Strap	Genelec	X	X	X	X	
Slotwall Mounts							
8000-902B	Slotwall bracket 8020A-8030A	K&M 44102-029-55	X	X			
8000-904B	Slotwall bracket 8040A-8050A	K&M 44104-029-55			X	X	
MAI-0076	Slotwall bracket, simple 8020A/8030A	Genelec	X	X			

(1) = Stand plate needed. (2) = not recommended

8000 SERIES MONITOR MODELS



8020A

8030A

8040A

8050A

www.genelec.com

GENELEC®

International enquiries:
Genelec, Olvitie 5
FIN-74100, Iisalmi, Finland
Phone +358 17 83881
Fax +358 17 812 267
Email genelec@genelec.com

In the U.S. please contact:
Genelec, Inc., 7 Tech Circle
Natick, MA 01760, USA
Phone +1 508 652 0900
Fax +1 508 652 0909
Email genelec.usa@genelec.com

In China please contact:
Beijing Genelec Audio Co. Ltd.
Jianwai SOHO, Tower 12, Room 2306
39 East 3rd Ring Road
Chaoyang District
Beijing 100022, China
Phone +86 0 5869 7915
Fax +86 10 5869 7914

In Sweden please contact:
Genelec Sverige
Ellipsvägen 10B
P.O. Box 5521, S-141 05 Huddinge
Phone +46 8 449 5220
Fax +46 8 708 7071
Email info@genelec.com