



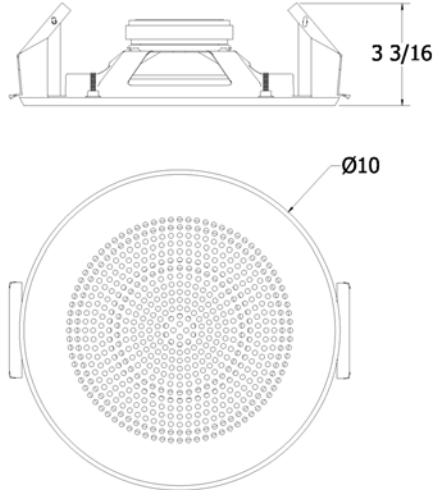
Quam

C5/BU/Q1

Ceiling Mounted Speaker Assembly Gypsum Board or Ceiling Tile Mount

01
LOUDSPEAKER ASSEMBLIES

0104.3.1 - SPEAKER, TRANSFORMER, BAFFLE, QMOUNT



GENERAL DESCRIPTION

The Quam C5/BU/Q1 is a complete loudspeaker assembly, with 8" frame loudspeaker, 25 and 70.7V universal transformer, standard perforated steel baffle and QMount™ installation system.

Finish: White baked epoxy hybrid.

INTENDED USE

Indoor environment, mounted parallel to floor plane in either blind-mount in 5/8" gypsum board ceiling or conventional 24" x 24" (or larger) ceiling tile up to 5/8" thick. Program Material: Signal tones, voice and music

SYSTEM COMPONENTS

Baffle	Q1
Loudspeaker	8C5PAX
Transformer	TBLU- 25 or 70.7V, 5 taps at -3 dB levels, both voltages
Installation System	QMount™

RECOMMENDED ADDITIONAL QUAM COMPONENTS

Ceiling tile application requires use of SSB9 Tile Bridge

AUDIO SPECIFICATIONS

Speaker Size	8" frame
Average Sensitivity	94 dB SPL, 1W/ 1M
Loudspeaker Power Rating	12W RMS, EIA 426A Standard
Calculated Output	101dB SPL, 4W/ 1M
Magnet Type, Weight	BeFe Ceramic, 4.8 oz. Nominal
Frequency Response	80Hz - 8 kHz EIA 462A Standard
Nominal Coverage Angle	100° Included Angle, -6 dB / 2 kHz, Half space
Audio Connection	7" color-coded pigtails, pre-cut

Recommended construction sequences, installation instructions and A&E Specifications are available in various formats on the Quam Architects' and Engineers' Resources CD or on the web at: www.quamspeakers.com

Quam-Nichols Company

234 East Marquette Road, Chicago, IL 60637
Phone: (800) NEED NOW Fax: (888) NEED NOW
(800) 633 - 3669 (888) 633 - 3669
E-Mail: neednow@qnc.com www.quamspeakers.com

