



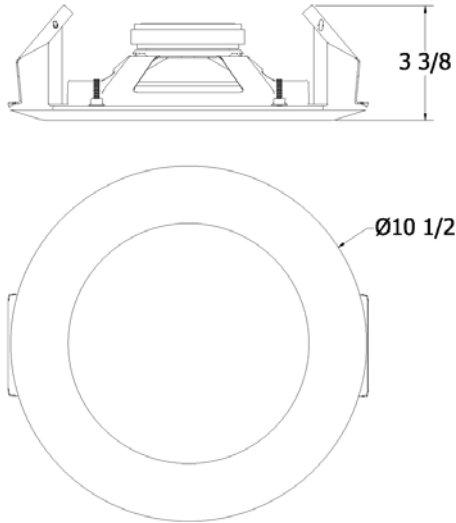
# Quam

## C10FX/H70/Q2

Ceiling Mounted Speaker Assembly  
Gypsum Board or Ceiling Tile Mount

01  
LOUDSPEAKER ASSEMBLIES

### 0104.3.1 - SPEAKER, TRANSFORMER, BAFFLE, QMOUNT



#### GENERAL DESCRIPTION

The Quam C10FX/H70/Q2 is a complete loudspeaker assembly, with 8" frame loudspeaker, low-loss, extended bandwidth universal transformer, 2-piece designer steel baffle and QMount™ installation system.  
Finish: White baked epoxy hybrid.

#### INTENDED USE

Indoor environment, mounted parallel to floor plane in either blind-mount in 5/8" gypsum board ceiling or conventional 24" x 24" (or larger) ceiling tile up to 5/8" thick.  
Program Material: Signal tones, voice and music

#### SYSTEM COMPONENTS

Baffle	Q2
Loudspeaker	8C10FEPAX
Transformer	TCH70- 70.7V, 5 taps at -3 dB levels, Low-loss, extended band width
Installation System	QMount™

#### RECOMMENDED ADDITIONAL QUAM COMPONENTS

Ceiling tile application requires use of SSB9 Tile Bridge

#### AUDIO SPECIFICATIONS

Speaker Size	8" frame
Average Sensitivity	94 dB SPL, 1W/ 1M
Loudspeaker Power Rating	20W RMS, EIA 426A Standard
Calculated Output	105dB SPL, 10W/ 1M
Magnet Type, Weight	BeFe Ceramic, 10 oz. Nominal
Frequency Response	80Hz - 8 kHz EIA 462A Standard
Nominal Coverage Angle	100° Included Angle, -6 dB / 2 kHz, Half space
Audio Connection	7" color-coded pigtailed, pre-cut

Recommended construction sequences, installation instructions and A&E Specifications are available in various formats on the Quam Architects' and Engineers' Resources CD or on the web at: [www.quamspeakers.com](http://www.quamspeakers.com)

#### Quam-Nichols Company

234 East Marquette Road, Chicago, IL 60637  
Phone: (800) NEED NOW Fax: (888) NEED NOW  
(800) 633 - 3669 (888) 633 - 3669  
E-Mail: [neednow@qnc.com](mailto:neednow@qnc.com) [www.quamspeakers.com](http://www.quamspeakers.com)

