



## General Description

The Rane AC 22S Active Crossover is a stereo 2-way with a mono subwoofer option, or it can be used as a mono 3-way. It employs state-variable 4th-order Linkwitz-Riley filter alignments to minimize phase difficulties in the critical crossover region.

Simply put, a Linkwitz-Riley alignment is two cascaded 2nd-order Butterworth filters exhibiting identical phase characteristics on their Low pass and High pass Outputs. This characteristic guarantees in-phase outputs at all frequencies. In-phase outputs are mandatory for proper acoustic summing of common signals from adjacent drivers in the crossover region. An added benefit of this topology is steep 24 dB per octave rolloff slopes. A slope of this magnitude guarantees drivers designed to produce a specific range of frequencies, and no more, will not be driven past their limits, thereby minimizing distortion and driver fatigue.

To further guarantee the transparent operation, adjustable Delay circuits appear on the Low (& Mid when used in 3-way mode) Outputs of each channel to compensate for any physical misalignment of the drivers. Time correction ensures the mechanical phase alignment of adjacent drivers will be acoustically correct, thus maintaining the integrity of the electrical phase alignment of the crossover's filters. CD horn equalization is also possible with an internal modification.

The AC 22S uses XLR connectors with active balanced inputs and outputs. The AC 22S improves upon its previous model by adding an internal power supply that can be plugged in almost anywhere in the world.

See the RaneNote *Linkwitz-RileyCrossovers: A Primer*, available from our website.

## Features

- Stereo 2-Way or Mono 3-Way
- Linkwitz-Riley Alignment with 24 dB per Octave Slopes
- Adjustable Delays
- Mono Subwoofer Switch and Output
- Infrasonic, Ultrasonic, and RFI Filters
- Low Output Muting (2-Way)
- Input & Output Level Controls
- Fully Active Balanced XLR Inputs & Outputs
- Internal Universal Power Supply (100-240 VAC)

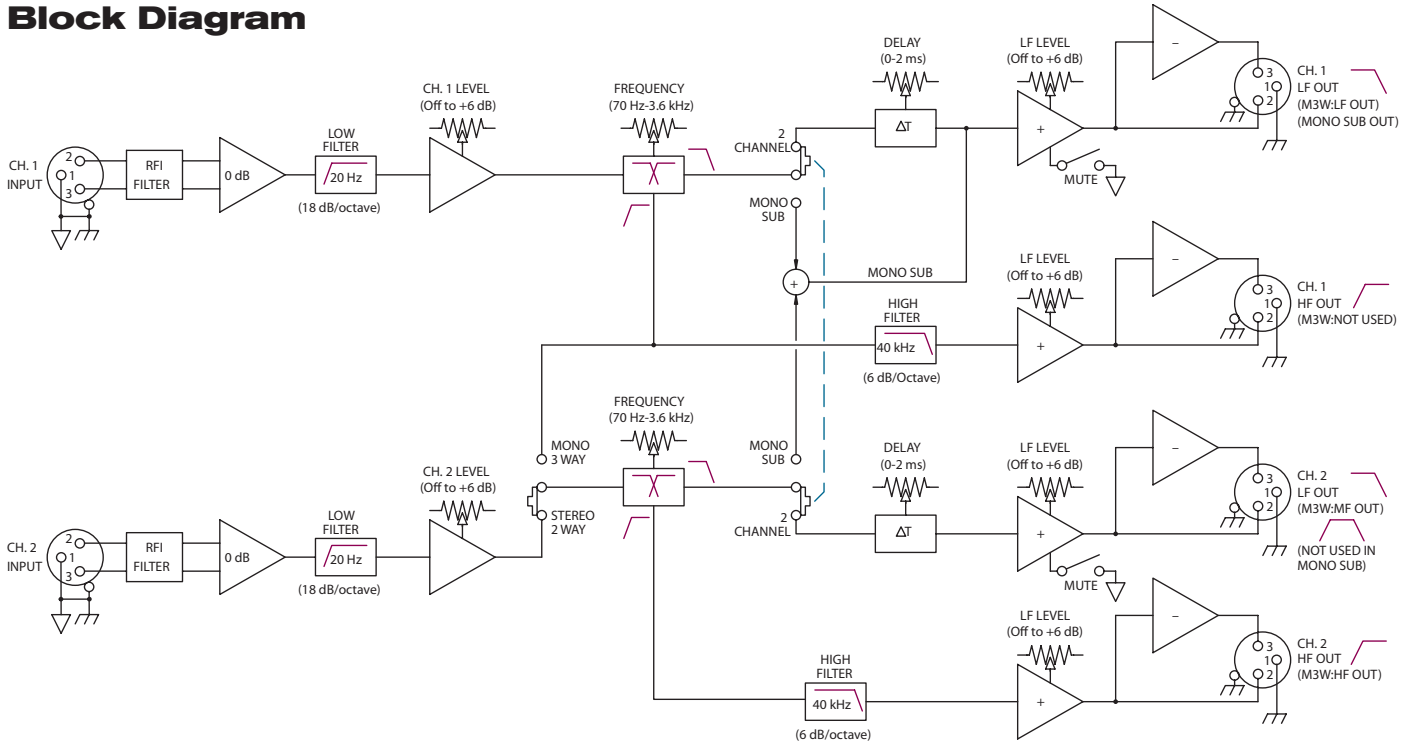


**Features & Specifications**

Parameter	Specification	Limit	Units	Conditions/Comments
Crossover: Alignment	Linkwitz-Riley			Proprietary 4th-order state-variable
.....Slopes	24 dB per octave			
.....Range	70-3.6 kHz Low to High			41-detent continuously variable pot
Time Delay Adjust Range	Off to +2	5%	ms	Low & Mid Outputs
Inputs: Type	Active Balanced			
.....Connectors	XLR			pin 2 hot per AES standards
.....Impedance	20k	1%	Ω	
.....Maximum Level	21	1	dBu	
.....Gain Range	Off to +6	-0/+4	dB	
Outputs: Type	Active Balanced			
.....Connectors	XLR			pin 2 hot per AES standards
.....Impedance	200	1%	Ω	
.....Maximum Level	+20	1	dBu	600 Ω or greater
.....Gain Range	Off to +12	-0/+4	dB	
Band Muting Switches	Yes			Low & Mid Outputs
RFI Filters	Yes			
Infrasonic Filter	20 Hz, 18 dB/oct., Butterworth	3%	Hz	
Ultrasonic Filter	40 kHz, 6 dB/oct., Bessel	3%	Hz	Linear Phase
Frequency Response	20 Hz - 40 kHz	+0/-3	dB	
THD+Noise	0.02	.01	%	+4 dBu, 20 Hz - 20 kHz
IM Distortion (SMPTE)	0.02	.01	%	60 Hz / 7 kHz, 4:1, +4 dBu
Signal-to-Noise Ratio	92	2	dB	re +4 dBu, 20 kHz noise bandwidth
Maximum Power	7		W	
Universal Line Voltage	100-240 VAC, 50/60 Hz		VAC	7W
Unit: Agency Listing	UL/cUL/CE			
Unit: Construction	All Steel			
.....Size	1.75"H x 19"W x 5.3"D (1U)			(4.4 cm x 48.3 cm x 13.3 cm)
.....Weight	4 lb			(3 kg)
Shipping: Size	4.25" x 20.3" x 13.75"			(11 cm x 52 cm x 35 cm)
.....Weight	8 lb			(5 kg)

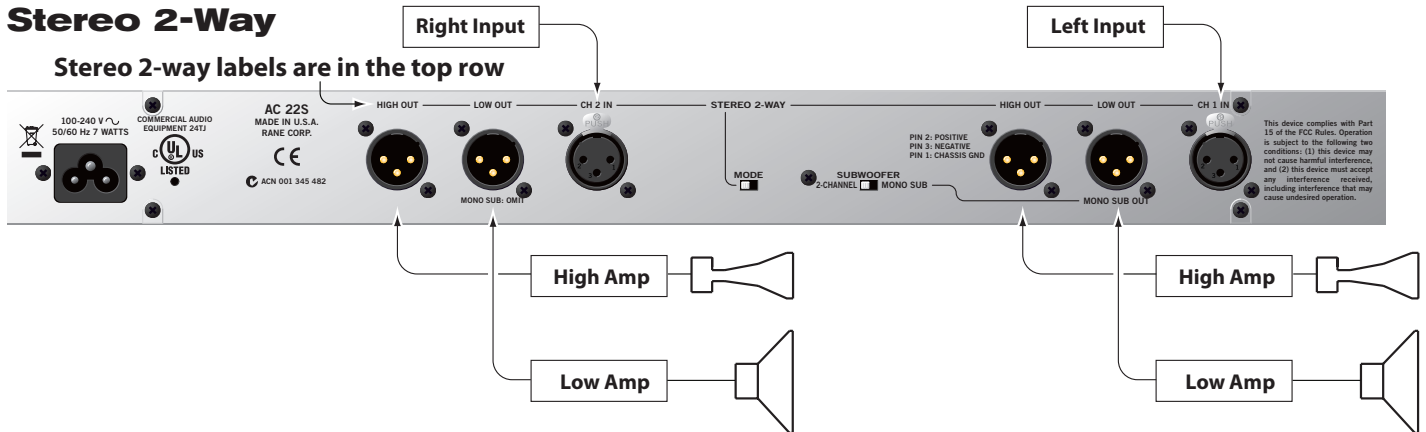
*Note: 0 dBu=0.775 Vrms*

### Block Diagram



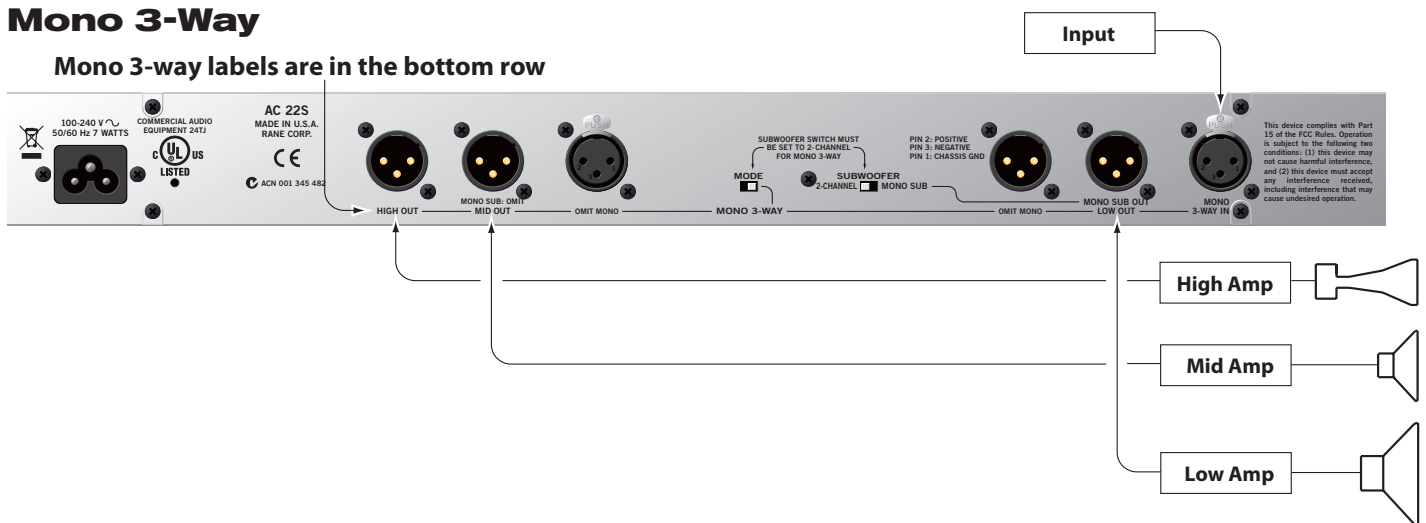
### Stereo 2-Way

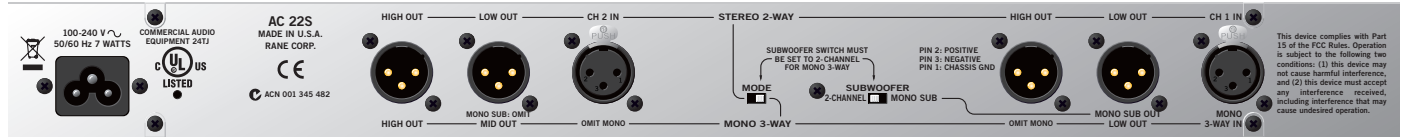
Stereo 2-way labels are in the top row



### Mono 3-Way

Mono 3-way labels are in the bottom row



**Rear Panel****Choosing the Right Configuration: Mono, Two-Channel Mono or Stereo?**

Very few systems indeed will utilize a two channel crossover for the purpose of true stereo imaging. Discrete stereo channels which are run from the mixing board are usually used for panning effects and/or for separate equalization of left and right speaker stacks. Different sides of the room often require significantly different equalization due to varying room acoustics, dimensions, positioning of speaker stacks near walls, curtains and the like.

Even though you may not plan to use stereo equalization or panning effects, it is recommended that your system utilize discrete crossover channels for each stack of speakers to ensure flexibility and control for consistent, optimum sound quality. For example, if you plan to run a multi-stack system mono 3-way, use the AC 23S rather than the AC 22S for separate control over each set of speakers — especially since phase alignment may differ with each stack requiring separate time delay adjustments. Even with only a single system equalizer, the AC 23S can deliver the extra independent control which can make a difference in sound throughout the listening area. The AC 24 is by far the best crossover for stereo 4-way systems. If all drivers are built into a single cabinet, or you are running bi-amped monitors, then the AC 22S is the one for you.

When all drivers in stacks are equal and acoustic differences are not critical, delays are not required, and simplicity of use is important, we recommend the Rane SAC 22 or SAC 23 Crossover.

**References**

1. S.H. Linkwitz, "Active Crossover Networks for Noncoincident Drivers," *J. Audio Eng. Soc.*, vol. 24, pp. 2-8 (Jan/Feb 1976).
2. D. Bohn, "A Fourth-Order State-Variable Filter for Linkwitz-Riley Active Crossover Designs," presented at the 74th Convention of the Audio Engineering Society, New York, Oct. 9-12, 1983, preprint no. 2011.
3. D. Bohn, "Linkwitz-Riley Crossovers: A Primer," *RaneNote*, (1983, 1989, 2005).
4. D. Bohn, "Why Not Wye?" *RaneNote*, (1984).

**Architectural Specifications**

The active crossover shall contain 4th-order Linkwitz-Riley filters. Provisions shall exist to correct for driver misalignment by means of adding time delay to the low frequency outputs.

The crossover frequency shall be controlled by a continuously variable control with 41 detents to allow mechanical reference of crossover setting.

Signal inputs and outputs shall be active balanced terminated with XLR connectors. RFI filters shall be provided. Infrasonic filters shall be built-in.

The active crossover shall afford an input level range of off to +6 dB. The output level controls shall afford a level range of from off to +12 dB with muting capability on the low frequency outputs. The crossover shall supply two independent channels.

The unit shall be capable of operation by means of its own built-in universal power supply operating at 100-240 VAC and meet CE requirements. The unit shall be UL and cUL listed. The unit shall be entirely constructed from cold-rolled steel.

*The unit shall be a Rane Corporation AC 22S Active Crossover.*

**Available Accessories**

- SC 1.7 Security Cover