

L40 Series desktop turrets  
(Model L40-10 shown)

### L40 Series Desk Turrets

#### Turrets Include:

- Fixed Front Mounting Rails: One pair tapped 10-32
- Fixed Rear Mounting Rails: One pair punched .281
- Protective Rubber Feet
- Choice of 5 Panel Space Heights with 12 Degree Slope.
- Two Bottom Panels for Partially Open Base
- Wrinkle Powder Epoxy Finish: Choose Black (standard) or Network Grey (suffix -G).

#### Ordering Options (suffix Model number)

- -G Network Grey Finish. Neutral computer/putty color.

### Description

Lowell's desktop turret Series L40 is 17"D at the base and incorporates a 12 degree slope for comfortable operator surveillance of audio, video, control, or security equipment. Sturdy design is 16-gauge certified US steel welded with fixed front mounting rails tapped 10-32 and punched rear rails on .281 universal EIA spacing. Front rails are recessed .562" from the frame providing approximately 3/4" equipment clearance. Note: As the turret does not accept a front door, equipment with protruding knobs and patch panel connections does not pose a problem. Additionally, each turret is supplied with protective rubber feet to prevent scratching and marring of desktop surfaces.

The back of the turret is open for convenient access to rear equipment controls. The base is also relatively open for cord access. It features two formed panel stiffeners mounted 2.5" from the front and 2.5" from the back allowing open spaces of 1.75" in the front, 4" in the center, and 1.5" in the bottom rear for cable entry. The welded assembly is finished in Lowell's durable wrinkle powder epoxy in black or Network Grey (suffix -G).



#### SPECIFICATIONS FOR LOWELL DESK CABINET SERIES L40

Cabinet Model*	Racking Height A	Overall Height B (incl. feet)	Overall Width	Overall** Depth bottom	Overall** Depth top	Fixed Rails Installed	Rear Opening	Front Opening	Weight
L40-10	10.625" (6RU)	12.844"	21.125"	17"	14.375"	1pr	Open	Open	24 lbs.
L40-12	12.375" (7RU)	14.625"	21.125"	17"	14"	1pr	Open	Open	25 lbs.
L40-14	14.125" (8RU)	16.266"	21.125"	17"	13.671"	1pr	Open	Open	27 lbs.
L40-17	17.625" (10RU)	19.703"	21.125"	17"	13"	1pr	Open	Open	30 lbs.
L40-19	19.375" (11RU)	21.406"	21.125"	17"	12.578"	1pr	Open	Open	31 lbs.

\*Standard color is black wrinkle powder epoxy. To order Network Grey suffix Model with -G.

\*\*Useable depth varies due to 12 degree slope.

All L40 Series models are suitable for UPS shipping.



# L40 Series

## 19"W x 17"D Desktop Turrets

### A & E Specifications

Turret for desktop use shall be Lowell Model \_\_\_\_\_ (L40-10, L40-12, L40-14, L40-17, L40-19). Turret shall have a 12-degree front slope and measure 21.125"W x 17"D (bottom) x \_\_\_\_\_"H. Welded assembly shall be 16-gauge steel with fixed

front mounting rails tapped 10-32 and punched rear rails on .281 universal EIA spacing. Desktop turret shall include protective rubber feet. Finish shall be Lowell's powder epoxy in \_\_\_\_\_ (black, Network Grey).

R  
A  
C  
K  
S

Open Frame  
Floor

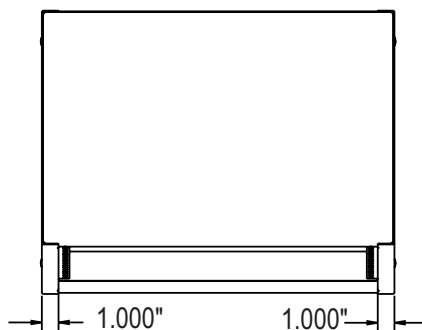
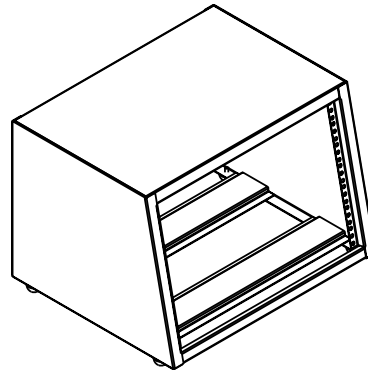


Solid Side  
Floor &  
Desk

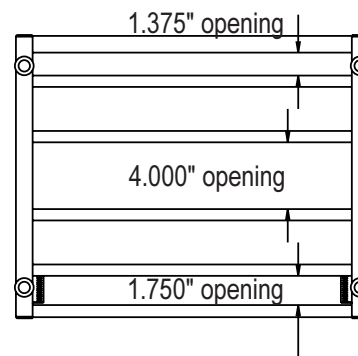
Wallmount  
Surface &  
Recessed

Panels &  
Accessories

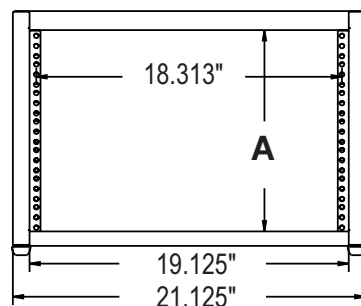
Thermal &  
Wire Mngmt



Top View

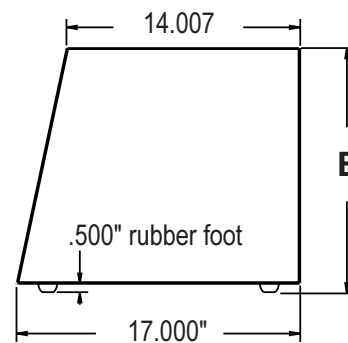


Bottom View



Front / Rear

Front has tapped rails 10-32  
Rear has punched rails .281



Side View

Desktop Sloped