

Quality Features

- Choice of two models for 32" D Lowell Series L278 and Series L268 racks and cabinets.
- Rugged, fully-welded US steel construction.
- Bases feature an opening in the center for easy cable access.
- Includes hardware for easy bolt-on installation.
- Finished in durable wrinkle black powder epoxy.

Description

Lowell Model MB232 Mobile Platform Base is a inner platform design that mounts inside the rack frame to provide the benefits of mobility and a floor positioned flush to the bottom rack space. This model is often specified to support extra-heavy equipment that is mounted in the lowest racking position. The base features heavy-duty 3" swivel casters in the front and swivel locking casters in the rear. The casters are positioned inside the platform so that the increase in overall height of the rack/cabinet when installed is only 1.25". The casters have a load rating of 350 lb each (1400 lbs total). To facilitate cable access through the bottom, there is a center opening size 13" x 16". Additionally, there are cable pass-thru openings on the side that match up to the side openings on L278 Series racks to facilitate wiring between ganged rack installations. Construction is 14 gauge steel finished in durable wrinkle black powder epoxy.

Lowell Model PB232 Platform Base is identical to the MB232 Mobile Platform Base above without casters, hence no increase in the cabinet height when installed.

Note: Bases may not be used with seismic versions (-S) of Lowell racks and cabinets.



MB232

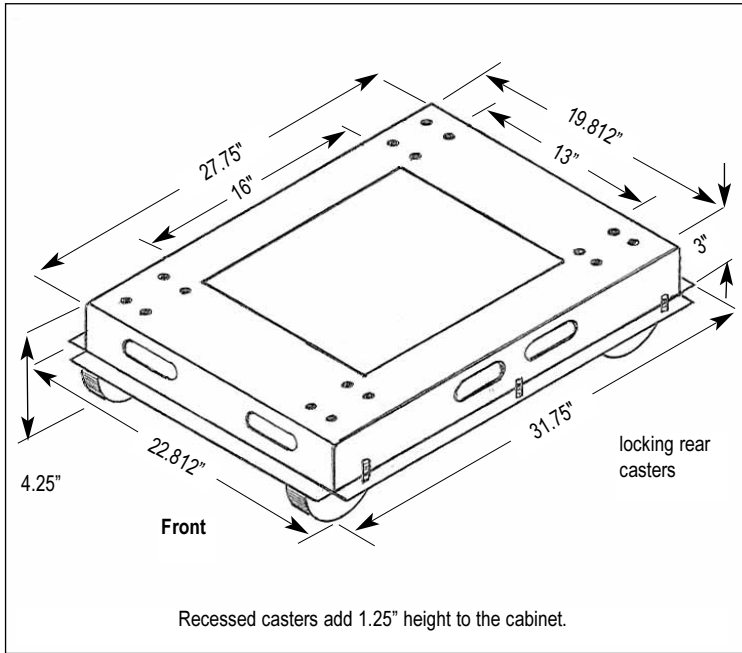


PB232

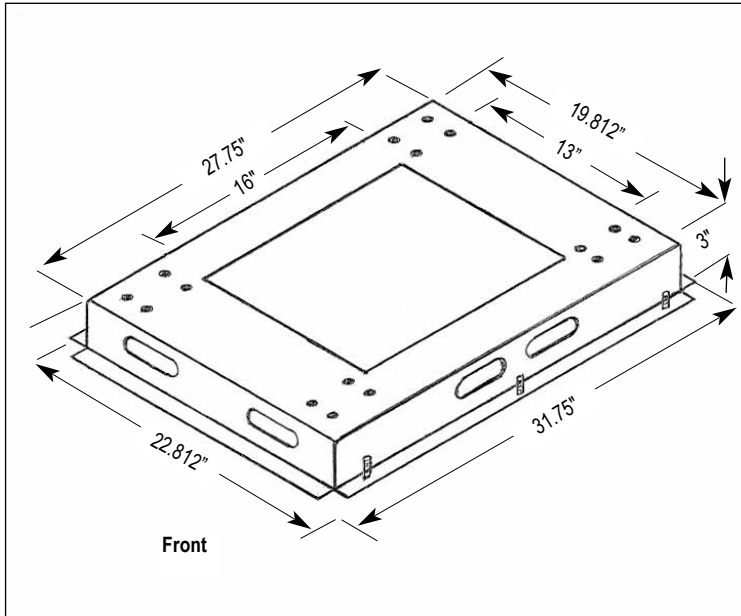
32" D BASES FOR L278 RACK AND L268 CABINET SERIES

Model	Description	Casters	Height Increase	Size O.A.	Size Inside	Center Opening	Weight	Mounts Series*
MB232	Mobile Platform	3" Recessed	1.25"	22.812"W x 31.75"D x 3"H	19.812"W x 27.75"D	13"W x 16"D	31 lbs.	L278, L268
PB232	Stationary Platform	N.A.	0"	22.812"W x 31.75"D x 3"H	19.812"W x 27.75"D	13"W x 16"D	27 lbs.	L278, L268

* Note: Bases may not be used with seismic versions (-S) of Lowell racks and cabinets.



Model MB232



Model PB232

A & E Specifications

The mobile platform base for 32"D Lowell Series _____ L278, L268) racks and cabinets shall be Lowell Model MB232. The platform base shall be of an inner platform design that mounts inside the rack frame to add the benefits of mobility and a floor positioned flush to the bottom rack space. The heavy-duty 3" swivel/swivel locking casters shall be positioned inside the platform so that the increase in overall height of the rack/cabinet when installed is only 1.25". The casters shall have a load rating of 350 lb each (1400 lbs total). The base shall facilitate cable access through a center opening size 13" x 16". The base shall also have side cable access via cable pass-thru openings that align with the side openings on ganging rack Series L278. Mounting hardware to attach the base to the rack or cabinet shall be supplied. Construction shall be 14 gauge welded steel finished in black wrinkle powder epoxy.

The stationary platform base for 32"D Lowell Series _____ L278, L268) racks and cabinets shall be Lowell Model PB232. The platform base shall be of an inner platform design that mounts inside the rack frame to add the benefits of a floor positioned flush to the bottom rack space. The installed base shall not increase the overall height of the rack/cabinet when installed. The base shall facilitate cable access through a center opening size 13" x 16". The base shall also have side cable access via cable pass-thru openings that align with the side openings on ganging rack Series L278. Mounting hardware to attach the base to the rack or cabinet shall be supplied. Construction shall be 14 gauge welded steel finished in black wrinkle powder epoxy.

Open Frame Floor

Solid Side Floor & Desk

Wallmount Surface & Recessed

Panels & Accessories

Thermal & Wire Mngmt