

Description

Lowell LWF Series fan panels may be used to provide cooling in all E.I.A. standard 19" width cabinets. Additionally, these "whisper-quiet" fans will mount flush into the E.I.A. top opening of all Lowell ganging racks (Series L279, L278, L277, L275) and full-size cabinets (Series L268, L267, L265, L262, L260). The fan panels simply replace the closure panels provided with each rack or cabinet. *All Lowell 36"D, 32"D, 27"D racks and cabinets feature a 10RU opening with 7RU and 3RU closure panels; 22"D racks and cabinets feature a 7RU opening with 4RU and 3RU closure panels.*

All fan panels are ready-to-install factory assemblies made with certified US steel. They are shipped complete with mounted fans and protective front guards. Each fan is 4.7" diameter with a 50cfm airflow rating and a quiet 28dBA noise rating. Panels are formed from 16 gauge steel with E.I.A. mounting holes and Lowell's durable black powder epoxy finish.

Model LWF-1912 is a 7RU panel with four mounted fans.
Model LWF-195-3 is a 3RU panel with three mounted fans.
Model LWF-195-2 is a 3RU panel with two mounted fans.

Lowell LWF-KIT fan kit is a single 4.7" diameter fan with 50cfm airflow rating and a quiet 28dBA noise rating. Each fan is mounted in a plastic housing size 4.7"SQ x 1.5"D with guard and cordset for use in a variety of applications including interior installation into Lowell sectional wall cabinets. Model LWF-KIT mounts easily to the factory notches located on the side of Lowell wall cabinet Series L250 and L253. The mounting notches are cleverly hidden in the side vent pattern for easy field installation without drilling.

Optional Accessory Model LTC-1 is a fan thermostat control that installs easily to provide temperature-controlled activation of cooling fans. Money-saving accessory allows you to preset the temperature at which fans will automatically turn on to cool equipment (order separately, refer to specification sheet for LTC-1).

A & E Specifications

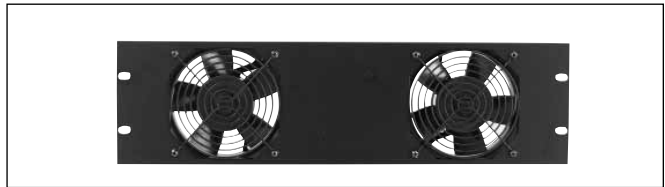
The cooling fan(s) for E.I.A. 19" rackmount installation shall be Lowell fan panel Model ____ (LWF-1912, LWF-195-3, LWF-195-2), or single fan kit Model LWF-KIT. Fan panel assemblies shall be 16 gauge US steel finished in powder epoxy paint with mounted fans and fan guards. Model LWF-1912 shall be 7RU with four fans; Model LWF-195-3 shall be 3RU with 3 fans, Model LWF-195-2 shall be 3RU with two fans. All fans are 4.7" diameter with 50cfm airflow each and a 28dBA noise rating. Model LWF-KIT is a single fan in a plastic housing size 4.7" SQ x 1.5"D with guard and cordset.



LWF-1912



LWF-195-3



LWF-195-2

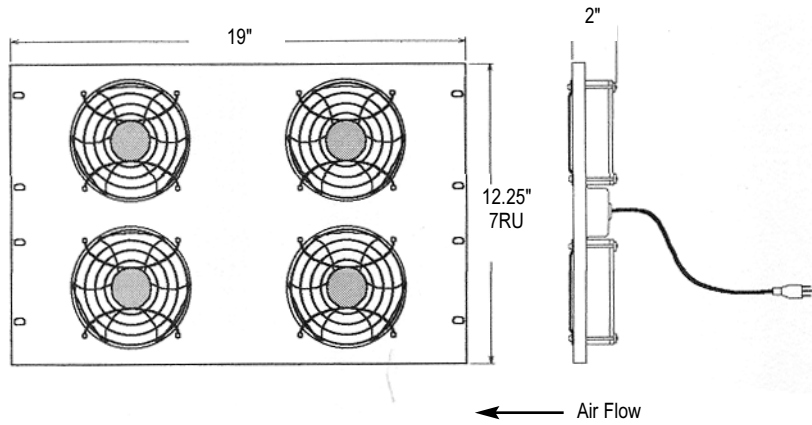


LWF-KIT



LTC-1 Fan Thermostat (order separately)

Model	Description	Panel Size	Fan Qty	Fan Size	Airflow Ea. Fan / Total	Noise Rating Ea. Fan / Total	Power Required Ea. Fan / Total
LWF-1912	Fan panel assembly with guards	12PS (7RU)	4 Whisper Fans	4.7"	50 cfm / 200 cfm	28 dBA / 34 dBA	5.5 watts / 22 watts
LWF-195-3	Fan panel assembly with guards	5PS (3RU)	3 Whisper Fans	4.7"	50 cfm / 150 cfm	28 dBA / 33 dBA	5.5 watts / 16.5 watts
LWF-195-2	Fan panel assembly with guards	5PS (3RU)	2 Whisper Fans	4.7"	50 cfm / 100 cfm	28 dBA / 31 dBA	5.5 watts / 11 watts
LWF-KIT	Fan kit with cord, guard and hardware	---	1 Whisper Fan	4.7"	50 cfm / 50 cfm	28 dBA / 28 dBA	5.5 watts / 5.5 watts
L39	Fan filter for 4.7" fan	---	---	---	---	---	---
LTC-1	Fan thermostat 1 dplx 50-90 degF	---	---	---	---	---	---



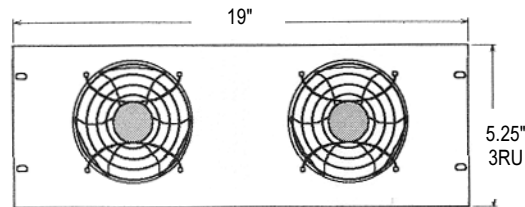
LWF-1912 Dimensions

Open Frame
Floor

Solid Side
Floor &
Desk

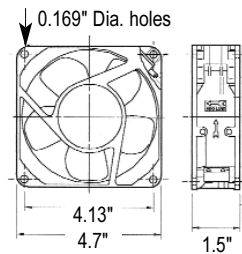
Wallmount
Surface &
Recessed

Panels &
Accessories



LWF-195-2 Dimensions

Thermal &
Wire Mngmt



LWF-KIT Dimensions