

Quality Features

- Step down 70 and 25-volt lines to feed amplifier inputs.
- Field-connectable level control and phono jack.
- Matches telephone lines to Hi-Z amplifier input.
- Feed balanced 600 ohm lines from amplifier output.
- Convenient mounting and connections.
- Use with a masking generator when adding masking to an existing music/paging system.

Description

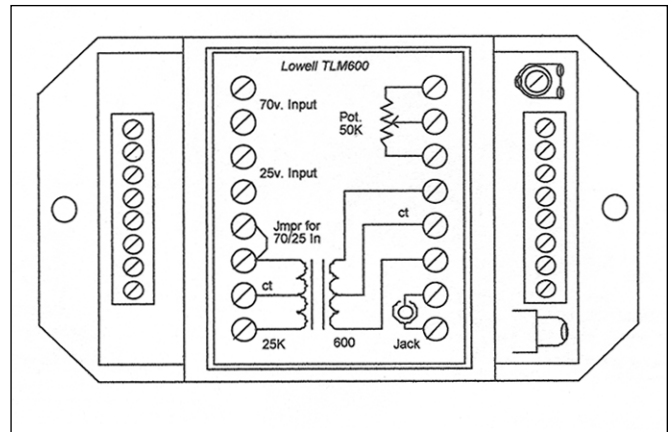
Lowell's Model TLM-600 universal input impedance matching transformer converts balanced and unbalanced low-Z, telephone-type lines to Hi-Z amplifier signals, Hi-Z to low-Z and attenuates or "steps-down" 70V or 25V speaker lines to a line level signal suitable for remote amplifier input. Versatile accessory also includes a phono jack and level control for field connection, if desired. Chassis includes barrier strip terminals and mounting holes for fast connection and convenient mounting to a wall or onto a rack panel such as Lowell Model L15-310E (order separately) with pre-punched mounting holes for electronic accessories.



TLM-600

A & E Specifications

Universal input impedance matching transformer shall be Lowell Model TLM-600. The transformer shall be capable of converting balanced and unbalanced low-Z, telephone-type lines to Hi-Z amplifier signals, Hi-Z to low-Z and attenuate 70V or 25V speaker lines to a line level signal suitable for remote amplifier input. Connections to the transformer shall be made via a three-sided barrier strip screw terminal assembly. The steel housing shall have holes for mounting to a wall or onto a rack panel such as Lowell Model L15-310E. The housing shall be finished in semi-gloss black powder epoxy.



Model	Inputs	Outputs	Power Rating	Frequency Response	Insertion Loss	Dimensions L x W x H	Weight
TLM-600	70V, 25V, 25K Ohm*	Bal. 600 ohm*, 150 Ohm*	200 mW (max)	50Hz-20kHz ±2dB	1.5dB@1kHz	5" x 3" x 1.75"	.75 lb.

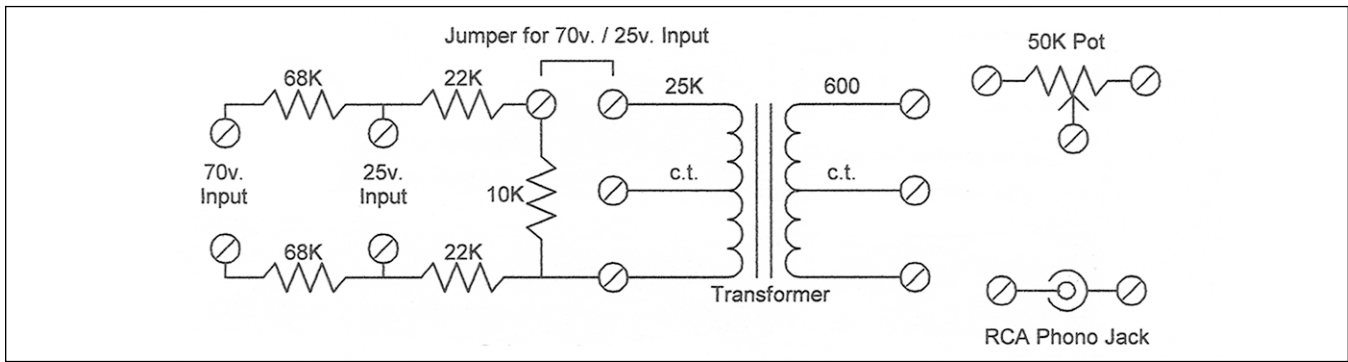
* May be used as "inputs" or "outputs" to satisfy application requirements.



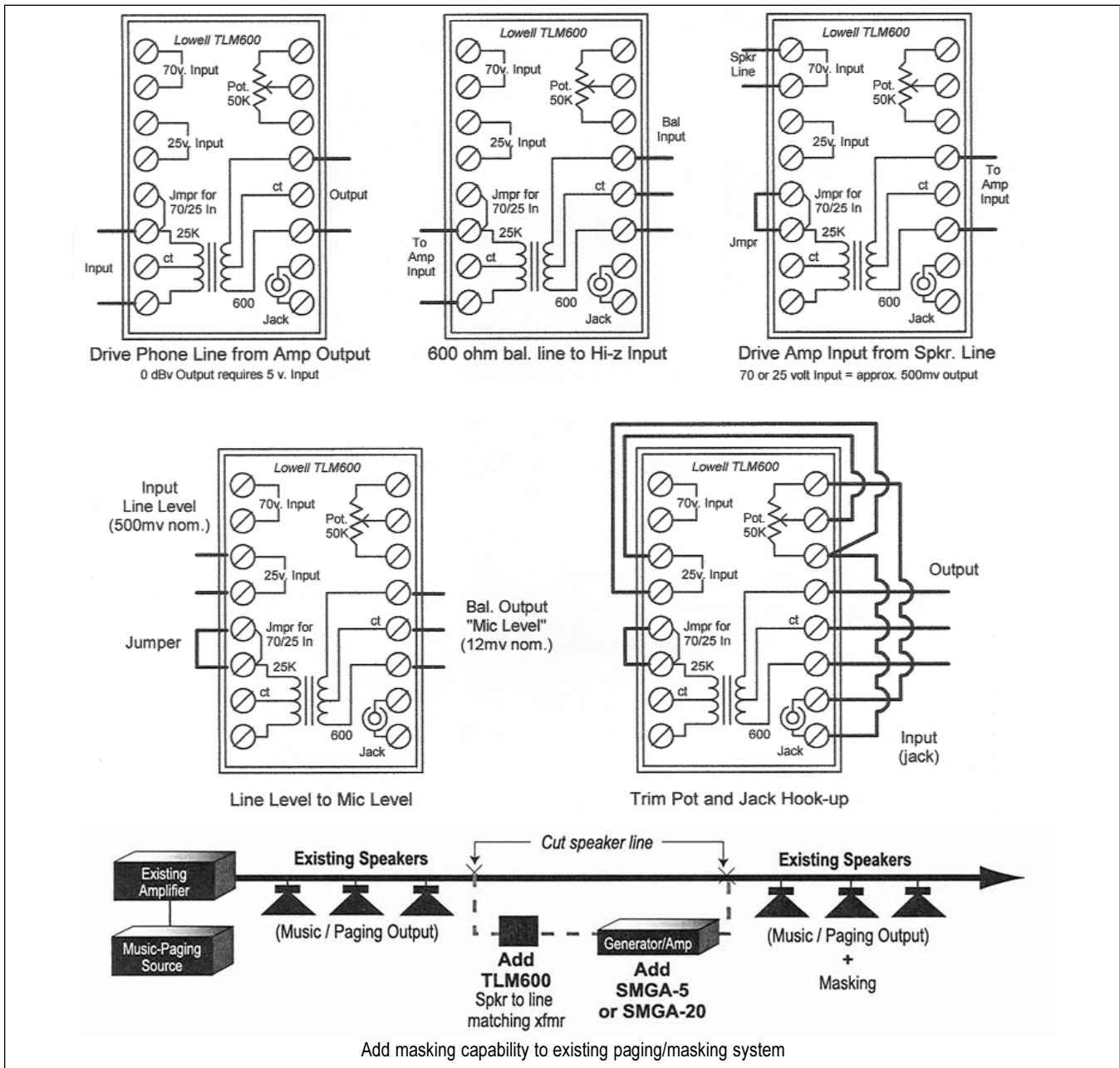
TLM-600

Universal Input / Impedance Matching Transformer

A
U
D
I
O



TLM-600 Schematic



12"/10"
Speakers & Accessories

8"
Speakers & Accessories

6"
Speakers & Accessories

4"
Speakers & Accessories

Horn
Speakers & Accessories

Masking
Speakers & Generators

Control
Accessories & Electronics

Relays & Devices