

Description

Lowell power strip Series UL180, UL180WW, and UL1802C are UL Listed under Standard UL5. Compact design is specifically engineered for installation into racks and cabinets to provide convenient access to power without utilizing valuable rack space. The chassis is a narrow 30"L x 2"W x 2"H and includes a separate steel mounting channel for versatile installation in cabinets with adjustable or fixed-mounting rails. The channel allows the power strip to be positioned with the receptacles perpendicular or parallel to the cabinet side (see drawing on page 2). Each assembly is finished in black powder epoxy and terminates via internal pigtail leads or external six foot conduit whip.

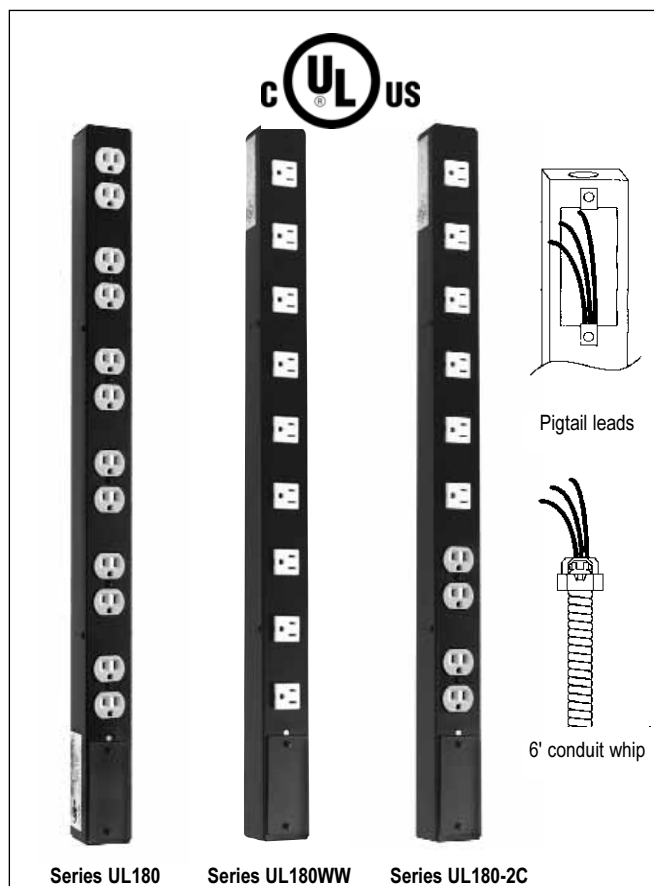
For applications that require a relocatable power strip (with grounded plug), specify Lowell Model U180-20A (20A - UL Recognized) or ACS Series (15A - UL Listed).

Series UL180 power strips are offered in 20 amp and 15 amp versions to meet your UL Listed power distribution needs. Assemblies feature a choice of six (6) duplex or six (6) isolated-ground duplex outlets and are offered with or without a common mode (L-G, L-N, N-G) transient voltage surge suppressor. Surge protection feature is recommended in applications where voltage surges and spikes could occur. Termination options include pigtail leads or six foot conduit whip.

See also ACS2004 normal mode (L-N) surge protectors with AC power distribution capability in the 'AC Surge Protection' section.

Series UL180WW power strips feature single outlets spaced for use with power supplies ("wall warts"). Both UL Listed models have a 15 amp power rating and feature nine (9) single outlets with a choice of pigtail leads or six foot conduit whip.

Series UL1802C power strips offer two 15 amp power circuits in a single chassis. Circuit one is comprised of six (6) single outlets spaced for plug-in power supplies or other equipment; circuit two is two (2) duplex outlets. This configuration is ideal for rackmount installations where some equipment has low current requirements and other equipment has higher power demands. Choose pigtail leads or six foot conduit whip to meet code requirements.



A & E Specifications

UL Listed power strip shall be Lowell Model _____. Power rating shall be _____ (20A, 15A, 2-15A circuits). Power strip shall include _____ (six duplex, six isolated duplex, nine single, or six single and two duplex outlets). Power strip _____ (shall, shall not) include a built-in common mode transient voltage surge suppressor. Termination shall be via _____ (pigtail leads, 6 foot conduit whip).

UL and CUL Listed* Power Strips

Model	Power Rating	Outlets	Size	Termination	Other Features
UL180-20A-PT	20A, 125 vac	6 Duplex	30"L x 2"W x 2"H	Pigtail leads	—
UL180-20A-TVSS-PT	20A, 125 vac	6 Duplex	30"L x 2"W x 2"H	Pigtail leads	Surge suppressor**
UL180-20A-MC	20A, 125 vac	6 Duplex	30"L x 2"W x 2"H	6 foot conduit whip	—
UL180-20A-TVSS-MC	20A, 125 vac	6 Duplex	30"L x 2"W x 2"H	6 foot conduit whip	Surge suppressor**
UL180-PT	15A, 125 vac	6 Duplex	30"L x 2"W x 2"H	Pigtail leads	—
UL180-IG-PT	15A, 125 vac	6 Isolated ground duplex	30"L x 2"W x 2"H	Pigtail leads	—
UL180-TVSS-PT	15A, 125 vac	6 Duplex	30"L x 2"W x 2"H	Pigtail leads	Surge suppressor**
UL180-MC	15A, 125 vac	6 Duplex	30"L x 2"W x 2"H	6 foot conduit whip	—
UL180-IG-MC	15A, 125 vac	6 Isolated ground duplex	30"L x 2"W x 2"H	6 foot conduit whip	—
UL180-TVSS-MC	15A, 125 vac	6 Duplex	30"L x 2"W x 2"H	6 foot conduit whip	Surge suppressor**
UL180WW-PT	15A, 125 vac	9 Single	30"L x 2"W x 2"H	Pigtail leads	—
UL180WW-MC	15A, 125 vac	9 Single	30"L x 2"W x 2"H	6 foot conduit whip	—
UL1802C-PT	(2) 15A circuits, 125 vac	6 Single (circuit 1), 2 duplex (circuit 2)	30"L x 2"W x 2"H	Pigtail leads	—
UL1802C-MC	(2) 15A circuits, 125 vac	6 Single (circuit 1), 2 duplex (circuit 2)	30"L x 2"W x 2"H	6 foot conduit whip	—

*UL File No. E202332 (UL5).

**Common mode (L-G, L-N, N-G) surge suppressor for transient voltage meets UL1449 for suppression; UL1283 for noise filtering.



UL180, UL180WW, UL1802C Series
 AC Power Strips - One & Two Circuit - Hardwired

**P
O
W
E
R**

AC
Rackmount
19" EIA



AC
Loadcenters
(sequenced)

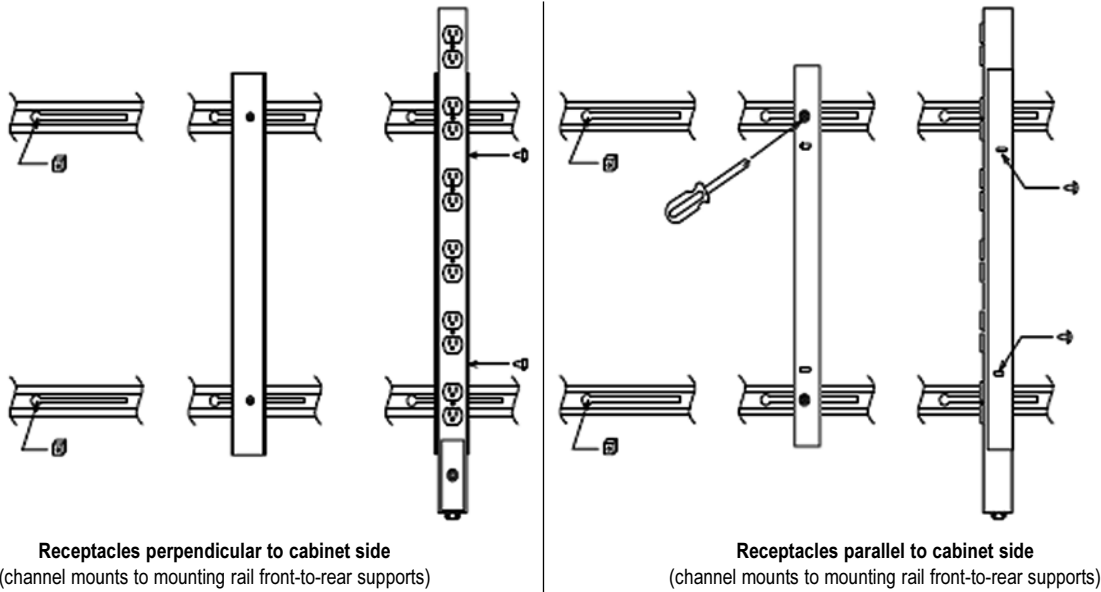
AC Surge
Protection
/ Filtering

AC
Remotely
Controlled

Low Voltage
Sequencers
Accessories

Strips Hardwired

Installation in Cabinets with Adjustable Rails
 (Lowell Model Series L279, L278, L277, L275, L268, L267, L265, L259, L258)



Installation in Cabinets with Fixed Rails
 (Lowell Model Series L260, L262)

