

### Description

Lowell Models SCS-4 and SCS-8 are compact and economical, non-rackmount sequencers that provide time-delayed activation and de-activation of equipment that is connected to Lowell remote power control Series RPC. Small chassis design may be conveniently mounted in a closet, ceiling or even on a blank rack panel to sequentially activate equipment that is on site or in a remote location. Sequence delay is screwdriver adjustable with 0.5-10 seconds between steps. Sequencing is initiated by an external wallplate or rackmount switch (order separately-see page 2). Up to 12 switches may be connected in parallel.

**Model SCS-4** provides four delayed closure circuits which activate in sequential order (1-4) and deactivate in reverse order (4-1). The solid state circuitry operates using a single remotely located SPST maintained contact closure switch\* (order separately). LED indicators provide visual status of each control circuit as well as power verification. The SCS-4 also includes an auxiliary 24VDC, 300mA (max) output for remote indicators. The steel chassis measures 7"L x 3.281"W x 1.687"H and is finished in black powder epoxy. It includes mounting holes, an operational diagram and a connected UL Listed 18VAC power supply.

\* Model SCS-4 is designed for single maintained switch activation however, multiple momentary switches may be used if momentary switch module Model MSM is connected between the SCS-4 and the switches (see page 2).

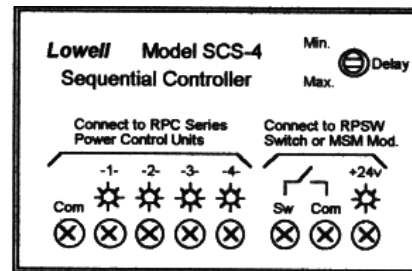
**Model SCS-8** provides eight delayed closure circuits which activate in sequential order (1-8) and deactivate in reverse order (8-1). Sequencing may be initiated by a single remotely located SPST maintained contact closure switch or by multiple SPST normally open momentary closure switches (order switches separately). A built-in slide switch allows for selection of single or multiple switch modes. LED indicators provide visual status of each control circuit as well as power verification. Also included is an auxiliary 24VDC, 300mA (max) output for remote indicators. Steel chassis measures 10"L x 3.281"W x 1.687"H and is finished in black powder epoxy. It includes mounting holes, operational diagram and a connected UL Listed 18VAC power supply.

### A & E Specifications

Device for sequentially activating equipment connected to remote power controls shall be Lowell Model \_\_\_\_ (SCS-4, SCS-8). It shall feature barrier strip terminals \_\_\_\_ (four, eight) for 2-conductor connection to remote power control Series RPC Model \_\_\_\_ . Contacts shall also be available for connecting remote switches (required) for activation. Applications with multiple switch actuation shall use momentary switch Models \_\_\_\_ (Series RPSW-M or RPSB-M). Applications with single switch actuation shall use maintained switch models \_\_\_\_ (Series RPSW or RPSB).



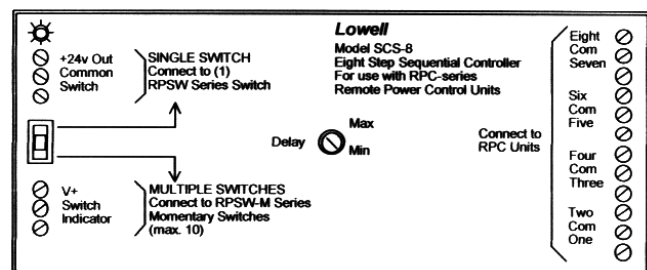
Sequencer Model SCS-4 (includes power supply)



SCS-4 label connection diagram



Sequencer Model SCS-8 (includes power supply)



SCS-8 label connection diagram

Model	Control Circuit Outputs* (barrier strip)	Sequence Delay (between steps)	Power Requirement	Actuation Switch-SPST** (order separately-see p.2)	Power Controls (order separately, see p.2)
<b>SCS-4</b>	4 circuits + (1) 24VDC out	0.5-10 sec.	117VAC, 60Hz, 12W	Single (maintained), multiple (momentary) + MSM	RPC Series
<b>SCS-8</b>	8 circuits + (1) 24VDC out	0.5-10 sec.	117VAC, 60Hz, 12W	Single (maintained), multiple (momentary)	RPC Series

\*Each circuit controls up to ten RPC Series remote power controls. (order RPC Series separately - see page 2)

\*\*External switches (maintained or momentary) are required; choose wall or rackmount style with rocker or key activation. (order switches separately - see page 2)



# SCS-4 and SCS-8

## Surface Mount Sequence Controllers

POWER

AC Rackmount 19" EIA

AC Strips Rackmount Vertical

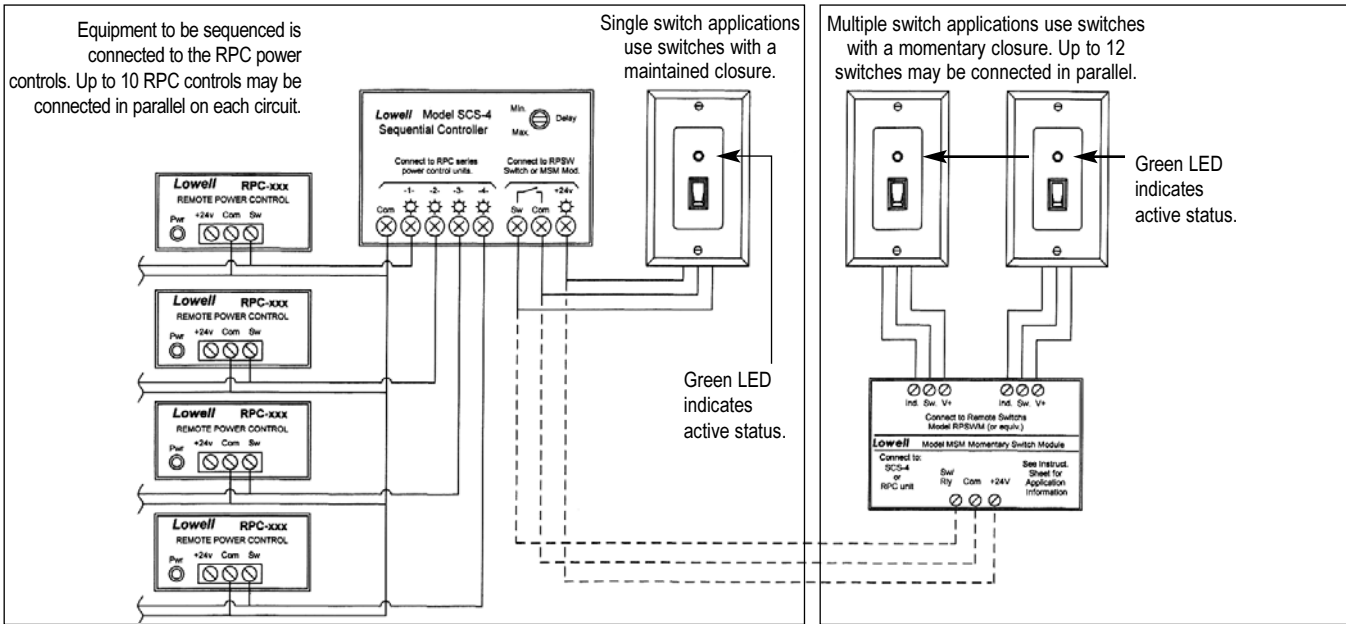
AC Loadcenters (sequenced)

AC Surge Protection / Filtering

AC Remotely Controlled

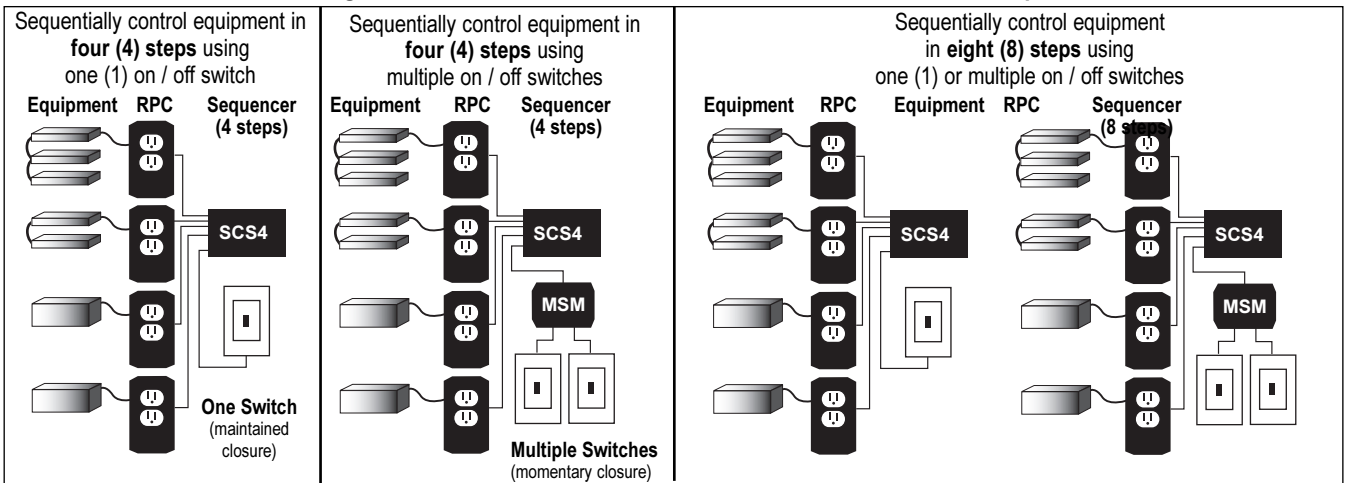
Low Voltage Sequencers Accessories

Surface Mount



SCS-4 Single Switch Connections

SCS-4 Multiple Switch Connections



SCS-4 and SCS-8 Typical Applications

**Remote Power Controls- UL Listed**

RPC-1	Pwr cntrl 15A 1 dplx 7.5x3.25x1.75 6ft cd
RPC-1-20A-CD*	Pwr cntrl 20A 1 dplx 7.5x3.25x2.75 6ft cd
RPC-1-30A-MC	Pwr cntrl 30A 1 twist lock 7.5x3.25x2.75 6ft whip
RPC-1-IG-MC	Pwr cntrl 20A 1 iso dplx 7.5x3.25x2.75 6ft whip
RPC-1-TVSS-CD*	Pwr cntrl 20A 1 dplx 7.5x3.25x2.75 surg 6ft cd
RPC-4-CD*	Pwr cntrl 15A 4 dplx 2RU pnl 6ft cd
RPC-5-CD*	Pwr cntrl 20A 5 dplx-4sw-1unsw 30x2x2 6ft cd
RPC-420-PT	Pwr cntrl 4 20A circuits 9 dplx-1unsw 56x4x2 pgtl

\*Also available with 6ft metal conduit whip termination; change CD suffix to MC.

**Remote Switches - Maintained Closure (single switch use)**

RPSW-P	Switch SPST rocker w LED maintained 1 ga wallplate
RPSW-KP	Switch SPST key w LED maintained 1 ga wallplate
RPSB-R	Switch SPST rocker w LED maintained 1RU rackpanel
RPSB-KR	Switch SPST key w LED maintained 1RU rackpanel

**Remote Switches - Momentary Closure (multiple switch use)**

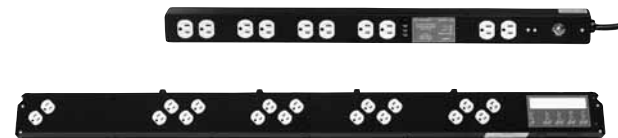
RPSW-MP	Switch SPST rocker w LED momentary 1 ga wallplate
RPSW-MKP	Switch SPST key w LED momentary 1 ga wallplate
RPSB-MR	Switch SPST rocker w LED momentary 1RU rackpanel
RPSB-MKR	Switch SPST key w LED momentary 1RU rackpanel

**Momentary Switch Module (req. for SCS4 with multiple momentary switches)**

MSM	Momentary switch module for SCS-4 with multiple switches
-----	--



RPC-1 Series (RPC-1-20 shown)



**Accessory Options - required - order separately**

Lowell Manufacturing Company • 100 Integram Drive • Pacific, Missouri 63069 U.S.A.  
 Call 800.325.9660, 636.257.3400 • Fax 636.257.6606 • Click [www.lowellmfg.com](http://www.lowellmfg.com)

Lowell makes every effort to provide accurate information and reserves the right to change specifications and/or improve manufacturing methods.

Download and print this spec from [www.lowellmfg.com](http://www.lowellmfg.com) to insure that you have the most current information