

## Description

Lowell power strip Model UL180-20A is a 20A relocatable power strip that is UL recognized under UL Standard 1363. Compact design is specifically engineered for vertical installation into racks and cabinets to provide convenient access to power without utilizing valuable rack space.

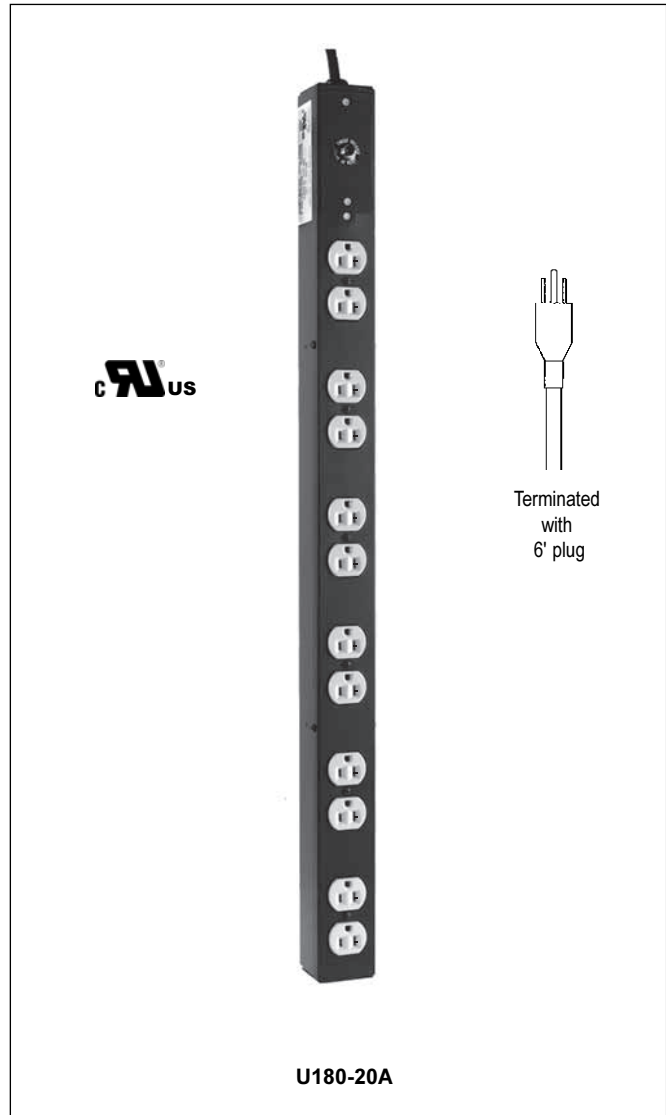
The chassis is a narrow 30"L x 2"W x 2"H and includes a separate steel mounting channel for versatile installation in cabinets with adjustable or fixed rails. The channel allows the power strip to be positioned with the receptacles perpendicular or parallel to the cabinet side (see drawing on page 2). The power strip and channel assembly are finished in black powder epoxy. Easy termination is provided with a six foot cord and grounded (Nema 5-15) molded plug. Model U180-20A features six (6) duplex outlets and a circuit breaker.

*For applications that require a UL Listed power strip with hardwire capability (pigtail leads or a conduit whip), specify Lowell Series UL180, UL180WW, or UL1802C. Refer to spec sheet #1c-202.*

## A & E Specifications

UL Recognized relocatable power strip shall be Lowell Model U180-20A. Power rating shall be 20A. The power strip shall include six duplex outlets and a circuit breaker for overcurrent protection. It shall be terminated with a six foot cord and grounded Nema 5-15 molded plug. It shall install into EIA equipment cabinets and racks using a steel mounting channel that attaches to the front-to-rear mounting rail supports in adjustable rail cabinets or to the rear Z-angle or corner post in fixed rail cabinets.

*See also ACSP2004 normal mode (L-N) surge protectors with AC power distribution capability in the 'AC Surge Protection' section.*



### UL and CUL Recognized\* Power Strip - Relocatable

Model	Power	Outlets	Size	Termination	Overcurrent Protection
<b>U180-20A</b>	20A, 125 vac	6 Duplex	30"L x 2"W x 2"H	6 foot cord	Circuit breaker

\*UL File No. 201878 (UL1363)



# U180-20A

## AC Power Strip - 20A - with Cordset

# P O W E R

AC  
Rackmount  
19" EIA



AC  
Loadcenters  
(sequenced)

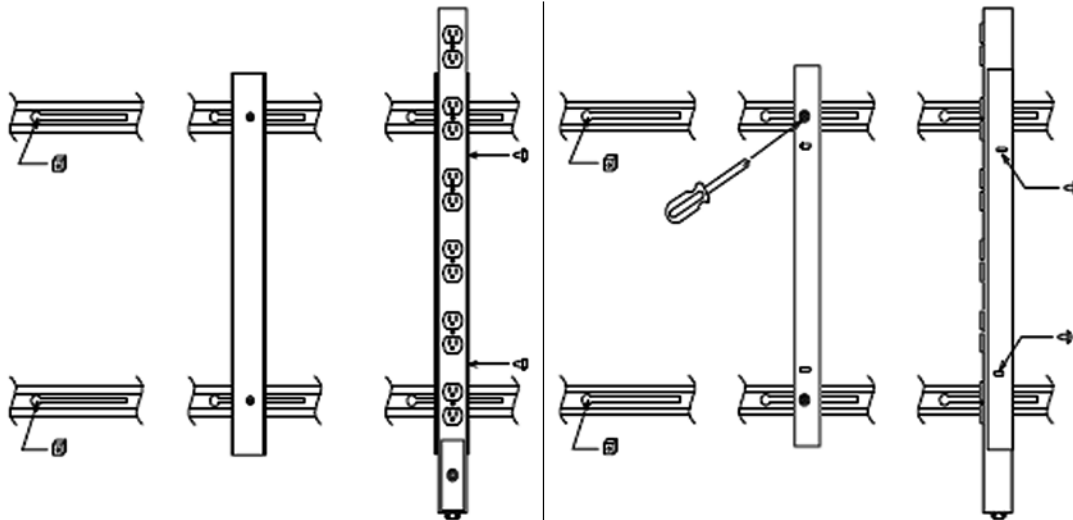
AC Surge  
Protection  
/ Filtering

AC  
Remotely  
Controlled

Low Voltage  
Sequencers  
Accessories

Strips with Cord

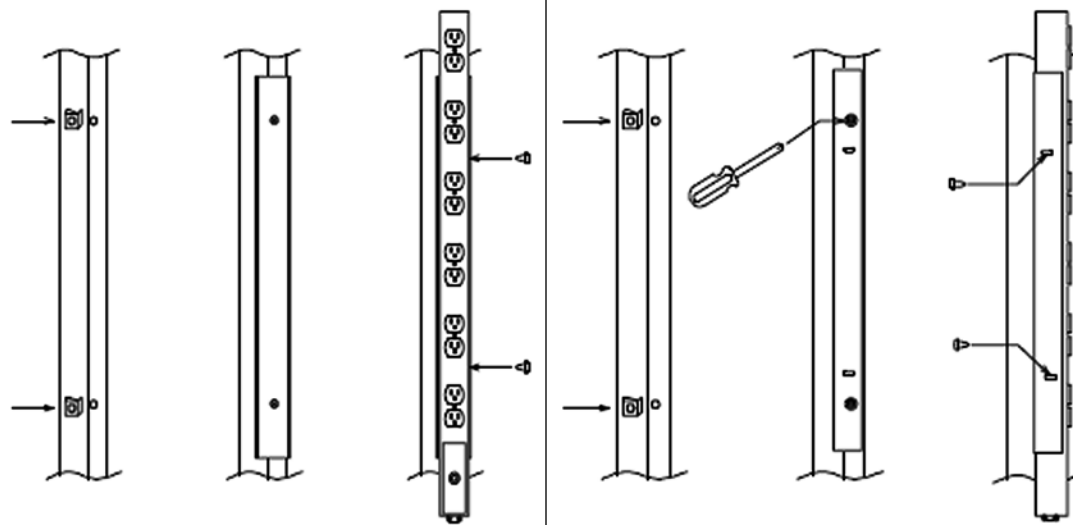
### Installation in Cabinets with Adjustable Rails (Lowell Model Series L279, L278, L277, L275, L268, L267, L265, L259, L258)



Receptacles perpendicular to cabinet side  
(channel mounts to mounting rail front-to-rear supports)

Receptacles parallel to cabinet side  
(channel mounts to mounting rail front-to-rear supports)

### Installation in Cabinets with Fixed Rails (Lowell Model Series L260, L262)



Receptacles perpendicular to cabinet side  
(channel mounts to rear Z-angle or corner post)

Receptacles parallel to cabinet side  
(channel mounts to rear Z-angle or corner post)