

USER MANUAL

ROGUE



Model ID: ROGUEOUTCAST1BEAM



Edition Notes

The Rogue Outcast 1 Beam User Manual includes a description, safety precautions, installation, programming, operation, and maintenance instructions for the Rogue Outcast 1 Beam.

Trademarks

CHAUVET, the Chauvet logo, and Rogue Outcast 1 Beam are registered trademarks or trademarks of Chauvet & Sons, LLC (d/b/a Chauvet and Chauvet Lighting) in the United States and other countries. Other company and product names and logos referred to herein may be trademarks of their respective companies.

Copyright Notice

The works of authorship contained in this manual, including, but not limited to, all designs, texts, and images are owned by Chauvet.

© **Copyright 2021 Chauvet & Sons, LLC. All rights reserved.**

Electronically published by Chauvet in the United States of America.

Manual Use

Chauvet authorizes its customers to download and print this manual for professional information purposes only. Chauvet expressly prohibits the usage, copy, storage, distribution, modification, or printing of this manual or its content for any other purpose without written consent from Chauvet.

Document Printing

For best results, print this document in color, on letter size paper (8.5 x 11 in), double-sided. If using A4 paper (210 x 297 mm), configure the printer to scale the content accordingly.

Intended Audience

Any person installing, operating, and/or maintaining this product should completely read through the guide that shipped with the product, as well as this manual, before installing, operating, or maintaining this product.

Disclaimer

Chauvet believes that the information contained in this manual is accurate in all respects. However, Chauvet assumes no responsibility and specifically disclaims any and all liability to any party for any loss, damage or disruption caused by any errors or omissions in this document, whether such errors or omissions result from negligence, accident or any other cause. Chauvet reserves the right to revise the content of this document without any obligation to notify any person or company of such revision, however, Chauvet has no obligation to make, and does not commit to make, any such revisions. Download the latest version from www.chauvetprofessional.com

Document Revision

This Rogue Outcast 1 Beam User Manual is the 1st edition of this document. Go to www.chauvetprofessional.com for the latest version.

TABLE OF CONTENTS

1. Before You Begin	3
What Is Included	3
Claims	3
Manual Conventions	3
Symbols	3
Expected LED Lifespan.....	3
Safety Notes.....	4
Personal Safety	4
Mounting and Rigging	4
Power and Wiring.....	4
Operation	4
2. Introduction	5
Description	5
Features	5
Product Overview.....	5
Product Dimensions	6
3. Setup	7
AC Power.....	7
AC Plug	7
Fuse Replacement.....	7
DMX Linking.....	7
DMX Personalities.....	7
Remote Device Management (RDM).....	7
Gobo Wheel	8
Color Wheel	9
Mounting	10
Orientation.....	10
Rigging	10
Procedure.....	10
Lamp Replacement.....	11
Procedure.....	11
Increasing the Lamp’s Life	12
4. Operation	13
Control Panel Operation.....	13
Programming.....	13
Control Panel Lock.....	13
Menu Map	14
DMX Values	16
19CH	16
16CH	20
Address	23
Run Mode.....	23
DMX Personality	23
Auto Test.....	23
Manual Test	23

Setup.....	23
Pan Reverse	23
Tilt Reverse	23
Pan Angle.....	23
Tilt Angle	24
BL.O. P/T Move.....	24
BL.O. Color Move.....	24
BL.O. Gobo Move	24
Lamp Controls.....	24
Maintenance Timer	25
Reset Function	25
Factory Reset Function	26
System Information	26
Offset Mode.....	27
Pan.....	27
Tilt	27
Shutter 1.....	27
Shutter 2.....	27
Color.....	27
Gobo	27
Prism 1	27
Rotating Prism 1.....	27
Prism 2	27
Rotating Prism 2.....	27
Focus	27
Frost.....	27
Mac 4	27
Mac 5	27
Mac 6	27
5. Technical Information	28
Product Maintenance	28
6. Technical Specifications	29
Returns	30
Contact Us	31

1. Before You Begin

What Is Included

- Rogue Outcast 1 Beam
- Seetronic Powerkon IP65 power cord
- 2 Omega brackets with mounting hardware
- Quick Reference Guide

Claims

Carefully unpack the product immediately and check the container to make sure all the parts are in the package and are in good condition.





If the box or the contents (the product and included accessories) appear damaged from shipping, or show signs of mishandling, notify the carrier immediately, not Chauvet. Failure to report damage to the carrier immediately may invalidate your claim. In addition, keep the box and contents for inspection.

For other issues, such as missing components or parts, damage not related to shipping, or concealed damage, file a claim with Chauvet within 7 days of delivery.

Manual Conventions

Convention	Meaning
1–512	A range of values
50/60	A set of values of which only one can be chosen
<SET>	A button on the product’s control panel
Settings	A product function or a menu option

Symbols

Symbol	Meaning
	Electrical warning. Not following these instructions may cause electrical damage to the product, accessories, or the user.
	Critical installation, configuration, or operation information. Not following these instructions may make the product not work, cause damage to the product, or cause harm to the operator.
	Important installation or configuration information. The product may not function correctly if this information is not used.
	Useful information.



The term “DMX” used throughout this manual refers to the USITT DMX512-A digital data transmission protocol.

Expected LED Lifespan

LEDs gradually decline in brightness over time, primarily because of heat. LEDs that are arranged in clusters experience higher operating temperatures than single LEDs. For this reason, operating clustered LEDs at their fullest intensity significantly reduces the LEDs’ lifespan. Under normal conditions, this lifespan is 40,000 to 50,000 hours. If extending this lifespan is vital, lower the operating temperature by improving the ventilation around the product, thus reducing the ambient temperature. In addition, limiting the overall projection intensity may extend the LEDs’ lifespan.

Safety Notes

Read all the following safety notes before working with this product. These notes contain important information about the installation, usage, and maintenance of this product.



This product contains no user-serviceable parts. Any reference to servicing in this User Manual will only apply to properly trained, certified technicians. Do not open the housing or attempt any repairs.



All applicable local codes and regulations apply to proper installation of this product.

Personal Safety

- Avoid direct eye exposure to the light source while the product is on.
- Always disconnect the product from the power source before cleaning or replacing the fuse.
- Always connect the product to a grounded circuit to avoid the risk of electrocution.
- Do not touch the product's housing when operating because it may be very hot.

Mounting and Rigging

- This product is intended for professional use only.
- This product is not intended for permanent outdoor installation.
- Do not submerge this product (IP65). Regular outdoor operation is fine.
- CAUTION: When transferring product from extreme temperature environments, (e.g., cold truck to warm, humid ballroom) condensation may form on the internal electronics of the product. To avoid causing a failure, allow product to fully acclimate to the surrounding environment before connecting it to power.
- Always ask for help when mounting this product to avoid personal injuries or damage to the product
- Mount this product in a location with adequate ventilation, at least 20 in (50 cm) from adjacent surfaces.
- Make sure there are no flammable materials close to the product when operating.
- When hanging this product, always secure to a fastening device using a safety cable.

Power and Wiring

- If the external flexible cable or cord of this luminaire is damaged, it shall be replaced by a special cord or cord exclusively available from the manufacturer or his service agent.
- The light source contained in this luminaire shall only be replaced by the manufacturer or his service agent or a similar qualified person.
- Always make sure you are connecting the product to the proper voltage in accordance with the specifications in this manual or on the product's specification label.
- To eliminate unnecessary wear and improve its lifespan, during periods of non-use completely disconnect the product from power via breaker or by unplugging it.
- Never connect the product to a dimmer pack or rheostat.
- Never disconnect this product by pulling or tugging on the power cable.

Operation

- Do not operate this product if there is damage on the housing, lenses, or cables. Have the damaged parts replaced by an authorized technician at once.
- To eliminate unnecessary wear and improve its lifespan, during periods of non-use completely disconnect the product from power via breaker or by unplugging it.
- Do not cover the ventilation slots when operating to avoid internal overheating.
- Do not aim this product toward the sun. The lenses could concentrate the solar energy and cause internal overheating.
- The maximum ambient temperature is 113 °F (45 °C). Do not operate the product at higher temperatures.
- In the event of a serious operation problem, stop using this product immediately!



If your Chauvet product requires service, contact Chauvet Technical Support.

2. Introduction

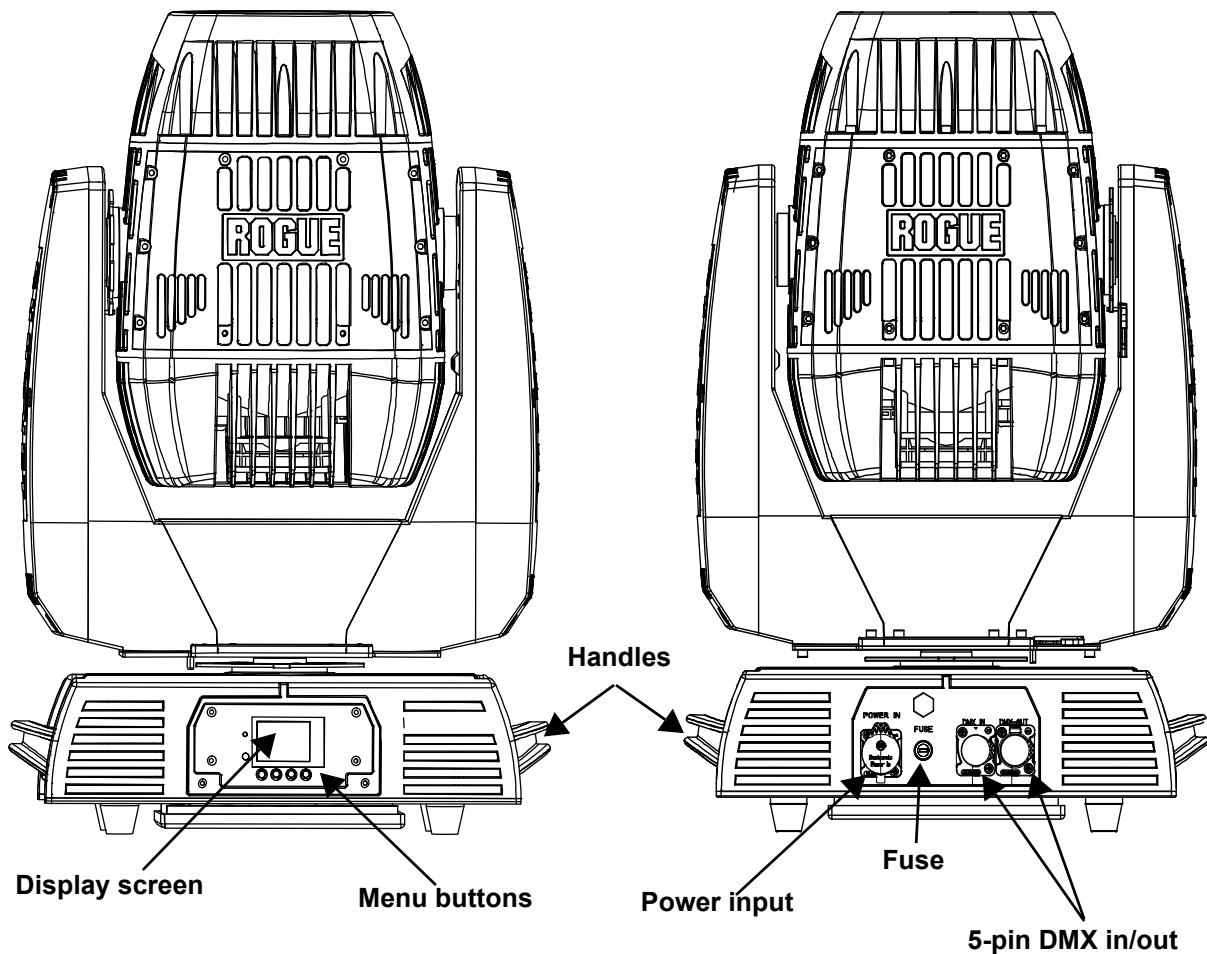
Description

The Rogue Outcast 1 Beam is an IP65 moving head that outputs an intensely bright 300 W beam with 14-position, individually controllable color wheel for solid and split hues. The outdoor-ready unit raises the bar in dynamic effect options with its ability to focus down to a pencil-thin 1° beam for tight aerials, overlapping 8- and 5-facet prisms, frost for even light distribution, and 17 static gobos for even more creative options. Control is over DMX and RDM.

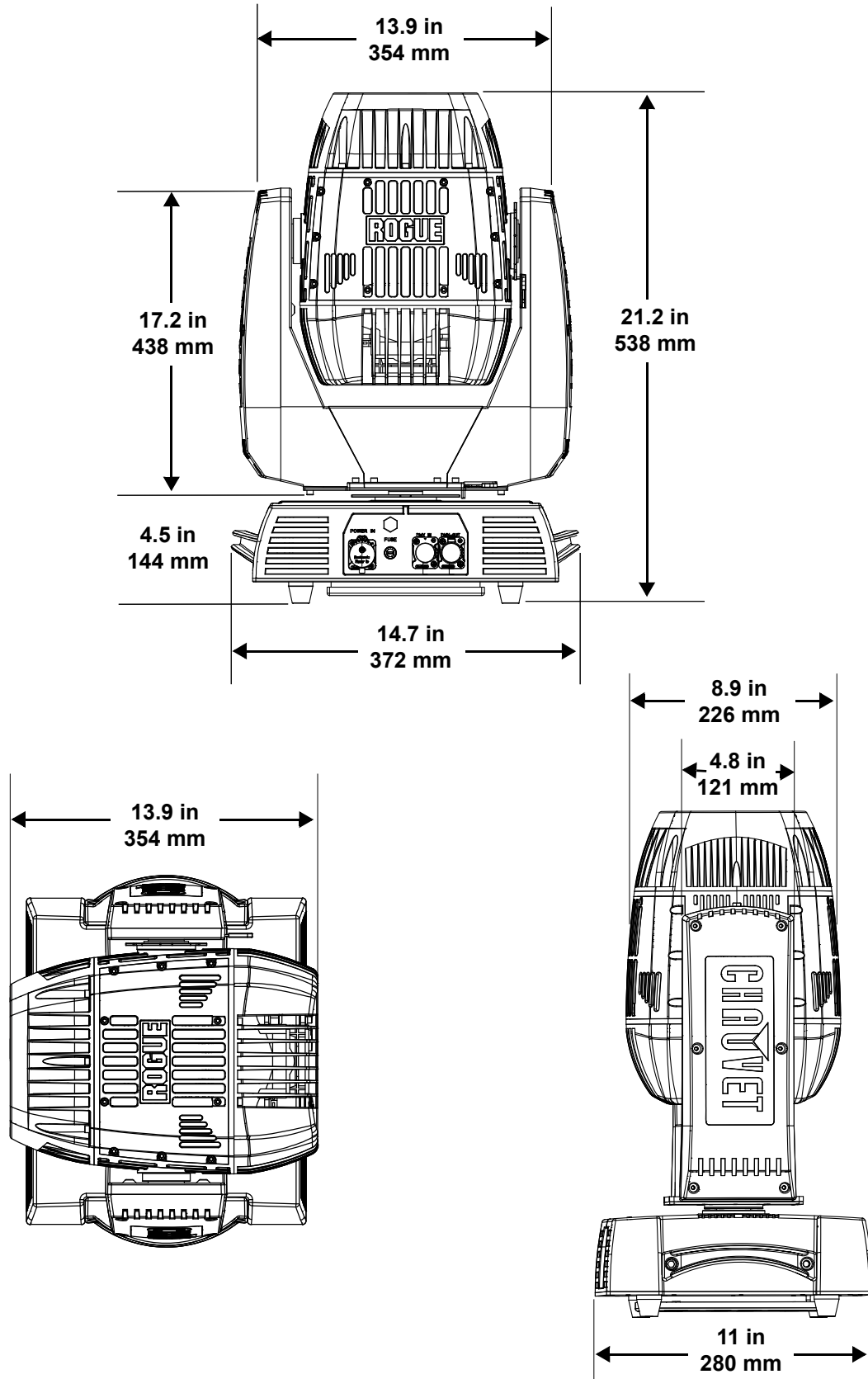
Features

- Fully featured, IP65-rated, high-powered Spot/Beam/Wash combination fixture with an USHIO 400W, 6500K with 6,000 hour life expectancy lamp, two gobo wheels, two-layer prisms, and linear zoom.
- Rugged housing designed to withstand the elements in a temporary outdoor setting
- Fast and precise movement of pan and tilt functions
- Individually controllable and layerable 8- and 5-facet prisms
- 14-position color wheel for solid and split colors
- Frost for even light distribution
- Tight 1° beam for extremely focused areal effects
- 17 static gobos for massive visual impact
- DMX and RDM protocol control
- True 1-compatible power input

Product Overview



Product Dimensions



3. Setup

AC Power

Each Rogue Outcast 1 Beam has an auto-ranging power supply that works with an input voltage range of 100 to 240 VAC, 50/60 Hz. To determine the power requirements for each Rogue Outcast 1 Beam, refer to the label affixed to the product. You can also refer to the [Technical Specifications](#) chart in this manual.

The listed current rating indicates the maximum current draw during normal operation. For more information, download Sizing Circuit Breakers from the Chauvet website: www.chauvetprofessional.com.



- **Always connect the product to a protected circuit (a circuit breaker or fuse). Make sure the product has an appropriate electrical ground to avoid the risk of electrocution or fire.**
- **To eliminate unnecessary wear and improve its lifespan, during periods of non-use completely disconnect the product from power via breaker or by unplugging it.**



Never connect the product to a rheostat (variable resistor) or dimmer circuit, even if the rheostat or dimmer channel serves only as a 0 to 100% switch.

AC Plug

The Rogue Outcast 1 Beam comes with a power input cord terminated with a Seetronic Powerkon IP65 connector on one end and an Edison plug on the other end (U.S. market). If the power input cord that came with the product has no plug, or if the plug needs to be changed, use the table below to wire the new plug.

Connection	Wire (U.S.)	Wire (Europe)	Screw Color
AC Live	Black	Brown	Yellow or Brass
AC Neutral	White	Blue	Silver
AC Ground	Green/Yellow	Green/Yellow	Green

Fuse Replacement

1. Disconnect this product from the power outlet.
2. Using a flat-head screwdriver, unscrew the fuse holder cap from the housing.
3. Remove the blown fuse and replace with another fuse of the same type and rating (T 5 A, 250 V).
4. Screw the fuse holder cap back in place and reconnect power.



Make sure to disconnect the product's power cord before replacing a blown fuse. Always replace the blown fuse with another of the same type and rating.

DMX Linking

The Rogue Outcast 1 Beam can be linked to a DMX controller using a 5-pin DMX connection. If using other DMX-compatible products with this product, each can be controlled individually with a single DMX controller.

DMX Personalities

The Rogue Outcast 1 Beam uses a 5-pin DMX data connection for the 20- and 25-channel DMX personalities.

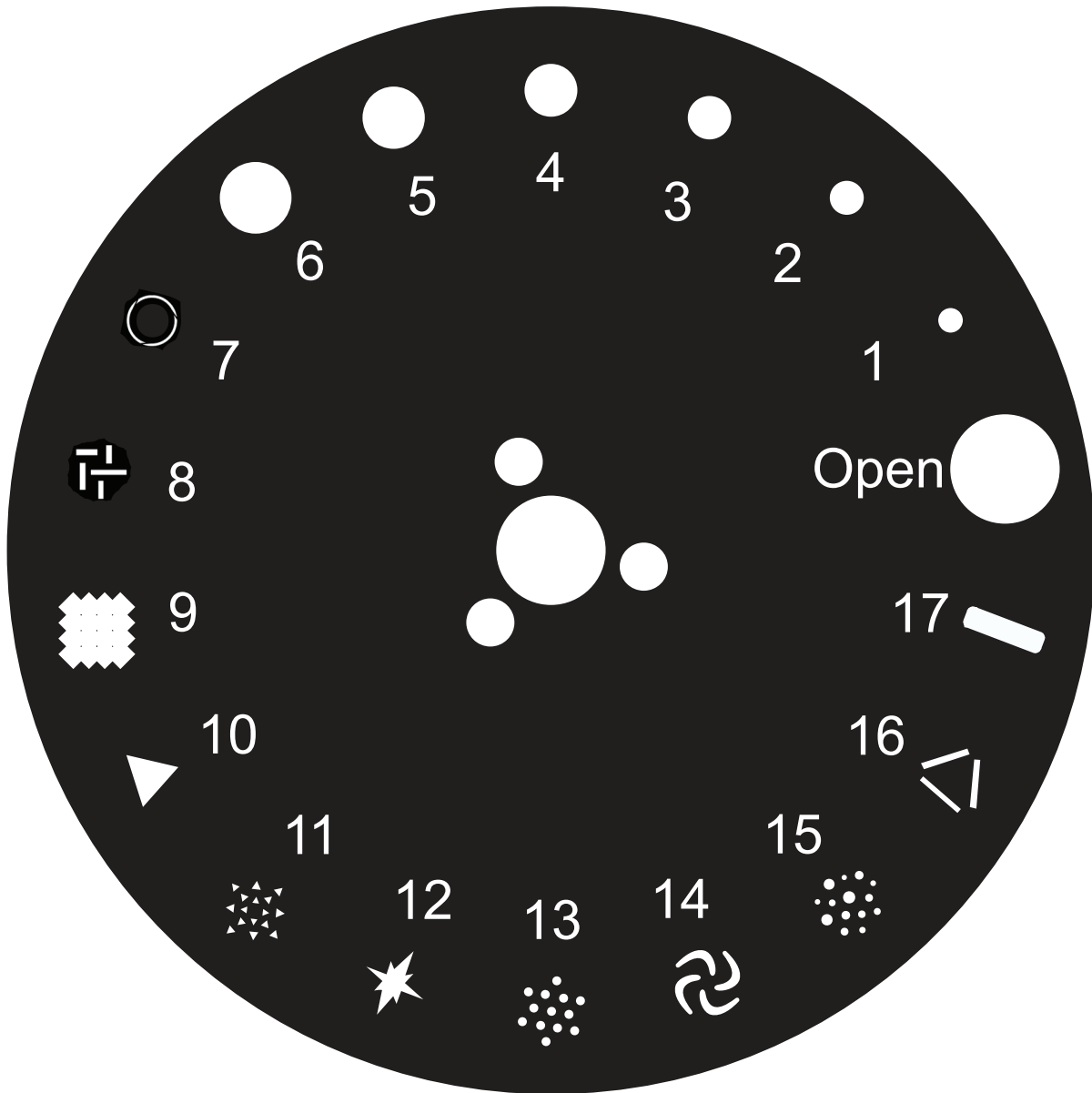
- Refer to the [Introduction](#) for a brief description of each DMX personality.
- Refer to the [Operation](#) chapter to learn how to configure the Rogue Outcast 1 Beam to work in these personalities.
- The [DMX Values](#) section provides detailed information regarding the DMX personalities.

Remote Device Management (RDM)

Remote Device Management, or RDM, is a standard for allowing DMX-enabled devices to communicate bi-directionally along existing DMX cabling. Check the DMX controller's User Manual or with the manufacturer, as not all DMX controllers have this capability. The Rogue Outcast 1 Beam supports RDM protocol that allows feedback to make changes to menu map options.

Gobo Wheel

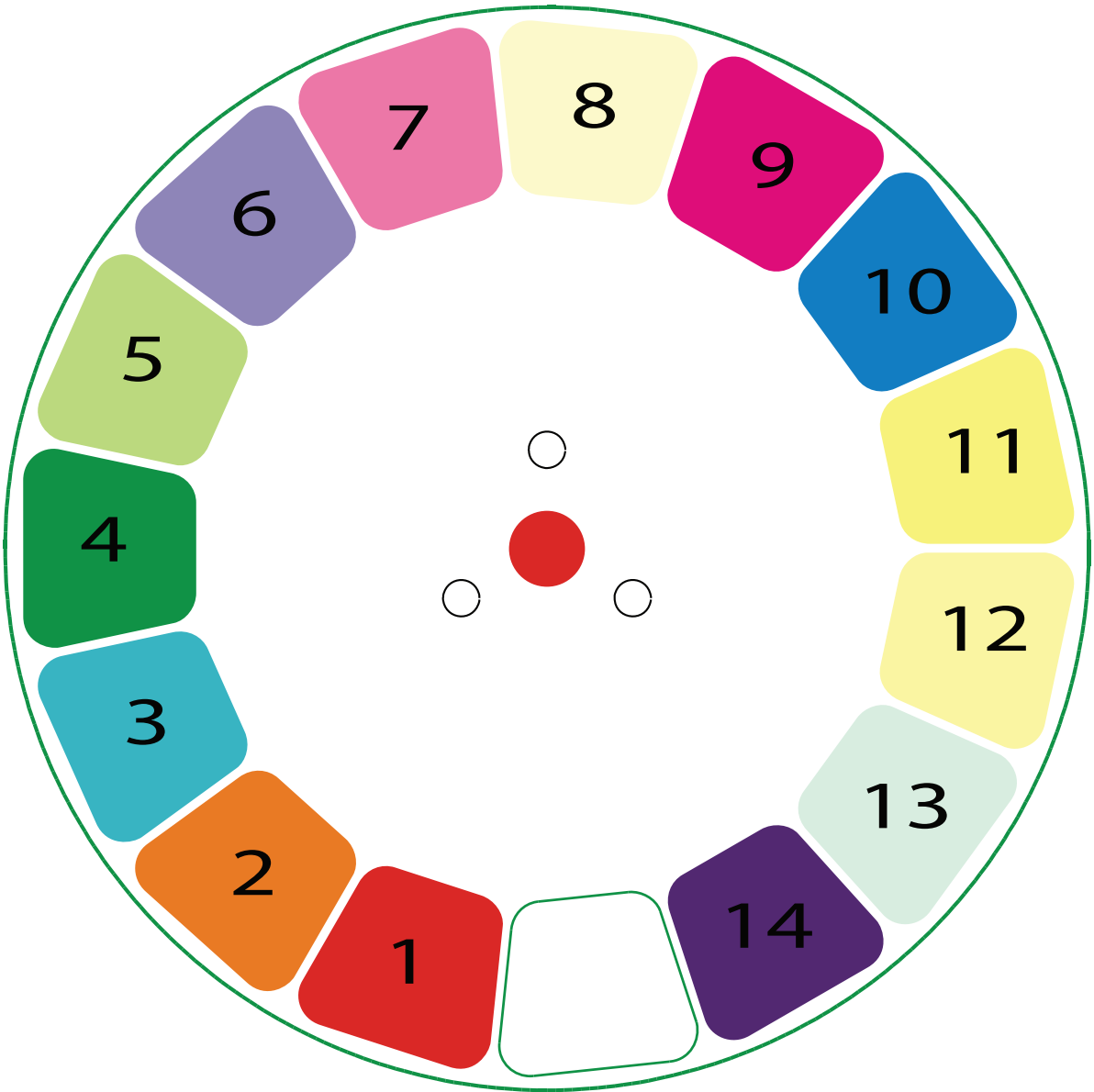
The Rogue Outcast 1 Beam includes one gobo wheel with 17 fixed gobos plus open. The diagram shows the gobo number on the wheel as numbered in the [DMX Values](#) tables.



SETUP

Color Wheel

The Rogue Outcast 1 Beam includes one color wheel with 14 fixed colors plus open (white), as indicated below. The diagram shows the color number on the wheel, as numbered in the [DMX Values](#) tables.



Mounting

Before mounting the product, read and follow the safety recommendations indicated in the [Safety Notes](#). For our CHAUVET Professional line of mounting clamps, go to <http://trusst.com/products/>.

Orientation

Always mount this product in a safe position, making sure there is adequate room for ventilation, configuration, and maintenance.

Rigging

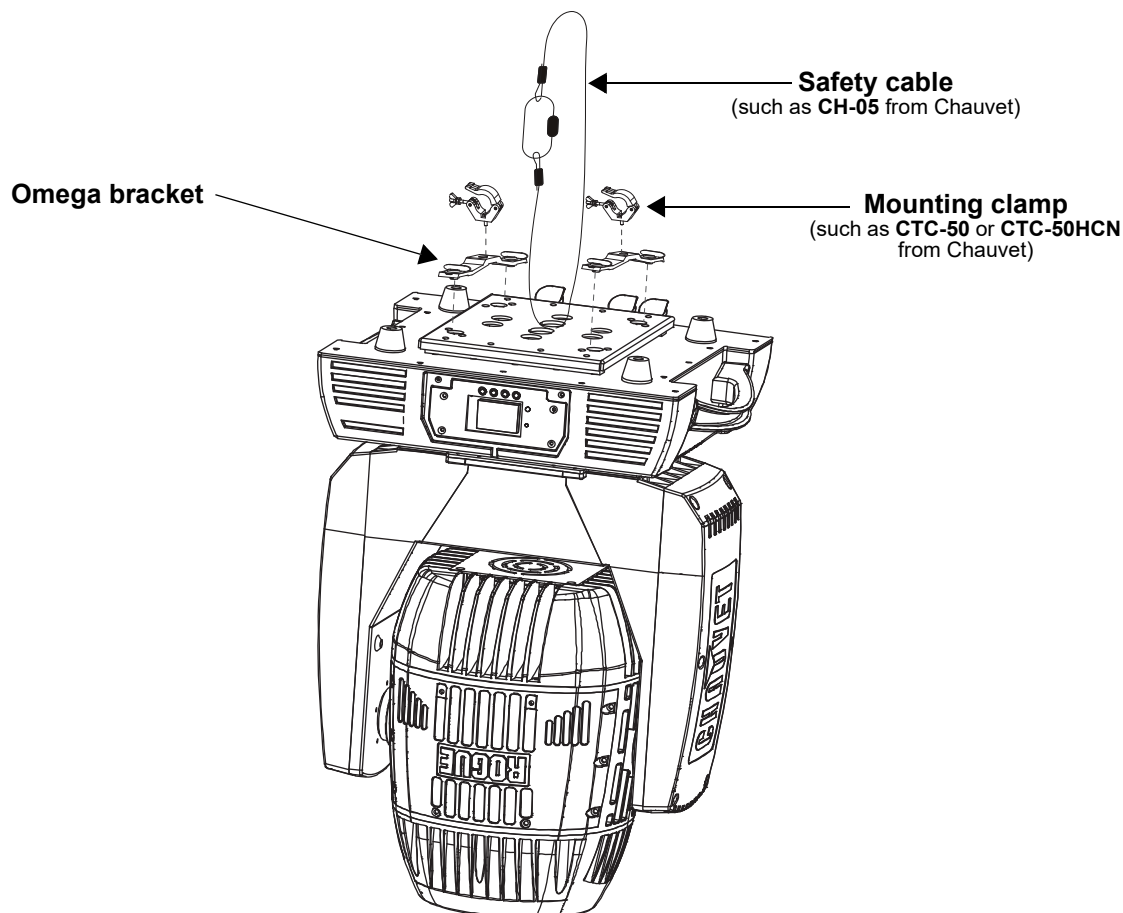
Chauvet recommends using the following general guidelines when mounting this product.

- Before deciding on a location for the product, make sure there is easy access to the product for maintenance and programming purposes.
- Make sure that the structure onto which you are mounting the product can support the product's weight. See the [Technical Specifications](#) for weight information.
- When mounting the product overhead, always use a safety cable. Mount the product securely to a rigging point, whether an elevated platform or a truss.
- When rigging the product onto a truss, use a mounting clamp of appropriate weight capacity.
- When power linking multiple products, mount the products close enough for power linking cables to reach.
- The bracket adjustment knobs allow for directional adjustment when aiming the product to the desired angle. Only loosen or tighten the bracket knobs manually. Using tools could damage the knobs.

Procedure

The Rogue Outcast 1 Beam comes with a double-bracketed yoke to which you can either attach mounting clamps (sold separately) for hanging or simply use as a floor stand. Make sure the clamps are capable of supporting the weight of this product. Use at least one mounting point per product. For the CHAUVET Professional line of mounting clamps, go to <http://www.trusst.com/products>.

Mounting Diagram



Lamp Replacement

The Rogue Outcast 1 Beam is equipped with an USHIO NSL 300 W lamp. Follow the procedure below to safely change the lamp.



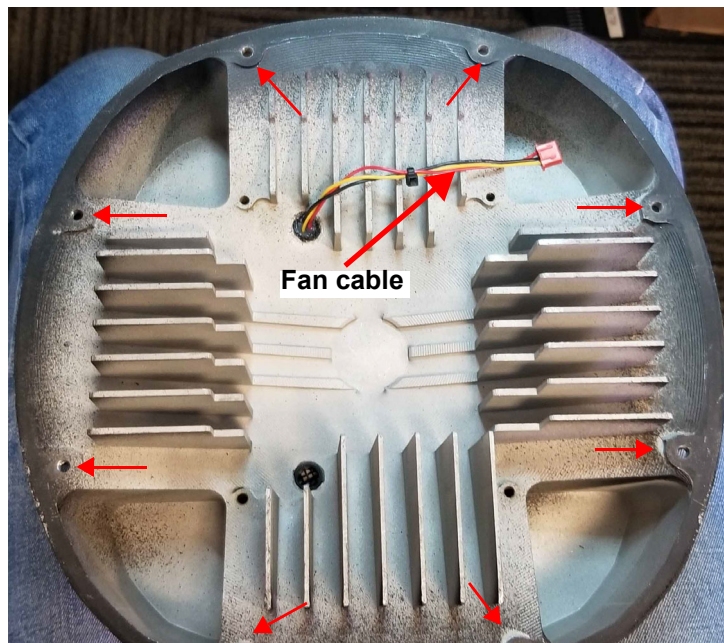
Disconnect the product from power before opening.

Procedure

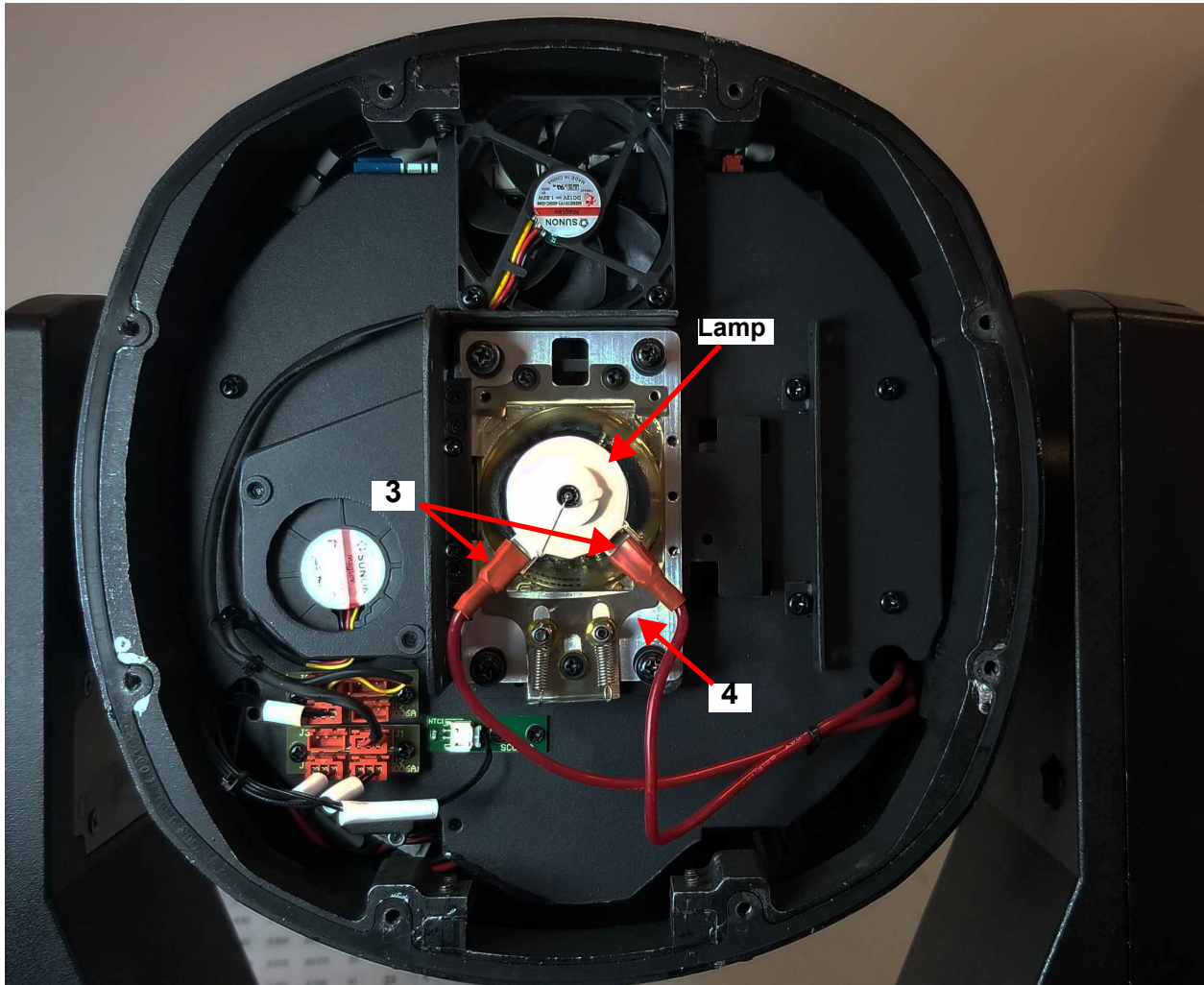
1. Turn the product off and disconnect it from power. Wait at least 15 minutes for the lamp to cool down. Orient the bottom of the moving head so that the fan is facing upward.



2. Remove the bottom head cover by removing 8 Allen key screws. Remove the rubber gasket, and detach the fan cable.



3. Remove the two power cables from the lamp.
4. Pull the spring-loaded mechanism to get enough space to slide the lamp out.



5. Reverse the steps above to install the new lamp. Do not touch the glass with bare hands.



Do not turn the product on without a lamp!

Increasing the Lamp's Life

- ALWAYS turn the lamp off by using the DMX controller or the product's control panel, then wait at least 5 minutes before switching off the product. This will keep the fans running to extract any remaining heat from the product's head.
- DO NOT power cycle the product unless it is necessary.
- DO NOT re-strike the lamp immediately after turning it off. Chauvet recommends waiting 5 minutes before trying to re-strike the lamp.
- DO NOT touch the lamp without wearing gloves to avoid leaving grease on the bulb or on the contacts that could reduce the lamp's life.
- ALWAYS change the lamp when it has reached its recommended lifespan to avoid the risk of lamp explosion.

4. Operation

Control Panel Operation

Button	Function
<MENU>	Exits from the current menu or function
<ENTER>	Enables the currently displayed menu or sets the currently selected value in to the current function
<UP>	Navigates upward through the menu list or increases the numeric value when in a function
<DOWN>	Navigates downward through the menu list or decreases the numeric value when in a function

Programming

Refer to the Menu Map to understand the menu options. The menu map shows the main level and a variable number of programming levels for each option.

- To go to the desired main level, press <MENU> repeatedly until the option shows on the display. Press <ENTER> to select. This will take you to the first programming level for that option.
- To select an option or value within the current programming level, press <UP> or <DOWN> until the option shows on the display. Press <ENTER> to select. In this case, if there is another programming level, you will see that first option, or you will see the selected value.
- Press <MENU> repeatedly to exit to the previous main level.

Control Panel Lock

This setting enables you to activate or disable the control panel lock, which keeps unauthorized users from changing the product's settings.

1. Go to the **Key Lock** main level.
2. Select **ON** or **OFF**.



The product will prompt for a passcode to access the product's main programming level when the control panel lock is activated. Enter the following passcode: <UP>, <DOWN>, <UP>, <DOWN>, <ENTER>

Menu Map

Refer to the Rogue Outcast 1 Beam product page on www.chauvetprofessional.com for the latest menu map.

Main Level	Programming Levels		Description	
Address	001–497		Sets the starting address	
Run Mode	DMX	16CH	Selects the DMX personality	
		19CH		
	Auto Test		Auto test all functions	
	Manual Test	Pan	0–255	Manually control and test all settings through the control panel
		Pan Fine		
		Tilt		
		Tilt Fine		
		P/T Speed		
		Dimmer		
		Dimmer Fine		
		Shutter		
		Color		
		Gobo		
		Prism1		
		Prism1 Rotate		
		Prism2		
		Prism2 Rotate		
		Focus		
		Frost		
P/T Macro				
P/T Ma. Speed				
Special Function				
Setup	Pan Reverse	YES	Reversed pan	
		NO	Normal pan	
	Tilt Reverse	YES	Reversed tilt	
		NO	Normal tilt	
	Screen Reverse	YES	Inverted screen display	
		NO	Normal screen display	
		AUTO	Automatic screen display	
	Pan Angle	540	540° pan range	
		360	360° pan range	
		180	180° pan range	
	Tilt Angle	270	270° tilt range	
		180	180° tilt range	
		90	90° tilt range	
	BL. O. P/T Move	YES	Blackout while panning/tilting	
		NO	Disable blackout while panning/tilting	
BL. O. Color Move	YES	Blackout while color wheel is moving		
	NO	Disable blackout while color wheel is moving		
BL. O. Gobo Move	YES	Blackout while gobo wheels are moving		
	NO	Disable blackout while gobo wheels are moving		

Main Level	Programming Levels		Description	
Setup (continuation)	Lamp Settings	On/Off	ON	Turns lamp on/off
			OFF	
		State/Power On	ON	Defines the status of lamp when powering up product
			OFF	
		Off via DMX	YES	Turns off the unit via DMX controller
			NO	
		On if DMX On	YES	Turns lamp on when DMX signal is detected
			NO	
	Off if DMX Off	YES	Turns lamp off when DMX signal is lost	
		NO		
	Maintenance Timer	Interval	10–250	Defines amount of hours between maintenance
		Remain Time	NO	Resets amount of time remaining in maintenance cycle
			RESET	
		Reset Function	Pan/Tilt	YES/NO
	Shutter/Prism			
Color				
Gobo				
Frost/Focus				
Factory Settings	YES	Reverts the product back to the original factory settings		
	NO			
Sys Info	Disp Ver	V_	Shows the software version	
	Running Mode	---	Shows current running mode	
	DMX Address	---	Shows current DMX address	
	Temperature	-- C	Shows the product's temperature in °C	
	Lamp On Time	----	Shows the amount of time the lamp has been on (provided the counter has been reset upon installation of new lamp)	
	Remaining Time	----	Shows the amount of time remaining in maintenance cycle	
	UID	-----	Shows product UID	

DMX Values

19CH

Channel	Function	Value	Percent/Setting
1	Pan	000 ⇔ 255	0–100%
2	Pan fine	000 ⇔ 255	Fine control (16-bit)
3	Tilt	000 ⇔ 255	0–100%
4	Tilt fine	000 ⇔ 255	Fine control (16-bit)
5	Pan/tilt speed	000 ⇔ 255	Fast to slow
6	Dimmer	000 ⇔ 255	0–100%
7	Dimmer fine	000 ⇔ 255	Fine control (16-bit)
8	Strobe	000 ⇔ 007	No function
		008 ⇔ 015	On
		016 ⇔ 131	Synchronized strobe, slow to fast
		132 ⇔ 167	Fast off, slow on (slow to fast)
		168 ⇔ 203	Slow off, fast on (slow to fast)
		204 ⇔ 239	Pulse strobe, slow to fast
		240 ⇔ 250	Random strobe, slow to fast
		251 ⇔ 255	On
9	Color wheel (see Color Wheel)	000 ⇔ 004	Open
		005 ⇔ 008	Red
		009 ⇔ 012	Orange
		013 ⇔ 016	Cyan
		017 ⇔ 020	Green
		021 ⇔ 024	Lime green
		025 ⇔ 028	Lavender
		029 ⇔ 032	Pink
		033 ⇔ 036	Light yellow
		037 ⇔ 040	Magenta
		041 ⇔ 044	Blue
		045 ⇔ 048	Yellow
		049 ⇔ 052	CTB 3200K
		053 ⇔ 056	CTO 6500K
		057 ⇔ 060	UV
		061 ⇔ 127	Split colors
		128 ⇔ 189	Clockwise color scroll, fast to slow
190 ⇔ 193	Stop		
194 ⇔ 255	Counterclockwise color scroll, slow to fast		

Channel	Function	Value	Percent/Setting
10	Gobo wheel (see Gobo Wheel)	000 ⇔ 003	Open
		004 ⇔ 006	Gobo 1
		007 ⇔ 009	Gobo 2
		010 ⇔ 012	Gobo 3
		013 ⇔ 015	Gobo 4
		016 ⇔ 018	Gobo 5
		019 ⇔ 021	Gobo 6
		022 ⇔ 024	Gobo 7
		025 ⇔ 027	Gobo 8
		028 ⇔ 030	Gobo 9
		031 ⇔ 033	Gobo 10
		034 ⇔ 036	Gobo 11
		037 ⇔ 039	Gobo 12
		040 ⇔ 042	Gobo 13
		043 ⇔ 045	Gobo 14
		046 ⇔ 048	Gobo 15
		049 ⇔ 051	Gobo 16
		052 ⇔ 055	Gobo 17
		056 ⇔ 059	Open
		060 ⇔ 063	Gobo 1 shaking, slow to fast
		064 ⇔ 067	Gobo 2 shaking, slow to fast
		068 ⇔ 071	Gobo 3 shaking, slow to fast
		072 ⇔ 075	Gobo 4 shaking, slow to fast
		076 ⇔ 079	Gobo 5 shaking, slow to fast
		080 ⇔ 083	Gobo 6 shaking, slow to fast
		084 ⇔ 087	Gobo 7 shaking, slow to fast
		088 ⇔ 091	Gobo 8 shaking, slow to fast
		092 ⇔ 095	Gobo 9 shaking, slow to fast
		096 ⇔ 099	Gobo 10 shaking, slow to fast
		100 ⇔ 103	Gobo 11 shaking, slow to fast
		104 ⇔ 107	Gobo 12 shaking, slow to fast
		108 ⇔ 111	Gobo 13 shaking, slow to fast
		112 ⇔ 115	Gobo 14 shaking, slow to fast
116 ⇔ 119	Gobo 15 shaking, slow to fast		
120 ⇔ 123	Gobo 16 shaking, slow to fast		
124 ⇔ 127	Gobo 17 shaking, slow to fast		
128 ⇔ 189	Clockwise gobo scroll, fast to slow		
190 ⇔ 193	Stop		
194 ⇔ 255	Counterclockwise gobo scroll, slow to fast		
11	Prism 1	000 ⇔ 004	No function
		005 ⇔ 255	Prism insert
12	Rotating prism 1	000 ⇔ 127	Prism index
		128 ⇔ 189	Clockwise rotation, fast to slow
		190 ⇔ 193	Stop
		194 ⇔ 255	Counterclockwise rotation, slow to fast
13	Prism 2	000 ⇔ 004	No function
		005 ⇔ 255	Prism index
14	Rotating prism 2	000 ⇔ 127	Prism index
		128 ⇔ 189	Clockwise rotation, fast to slow
		190 ⇔ 193	Stop
		194 ⇔ 255	Counterclockwise rotation, slow to fast

Channel	Function	Value	Percent/Setting
15	Focus	000 ⇔ 255	0–100%
16	Frost	000 ⇔ 255	0–100%
17	Movement macros	000 ⇔ 007	No function
		008 ⇔ 015	Effect 1
		016 ⇔ 023	Effect 2
		024 ⇔ 031	Effect 3
		032 ⇔ 039	Effect 4
		040 ⇔ 047	Effect 5
		048 ⇔ 055	Effect 6
		056 ⇔ 063	Effect 7
		064 ⇔ 071	Effect 8
		072 ⇔ 079	Effect 9
		080 ⇔ 087	Effect 10
		088 ⇔ 095	Effect 11
		096 ⇔ 103	Effect 12
		104 ⇔ 111	Effect 13
		112 ⇔ 119	Effect 14
		120 ⇔ 127	Effect 15
		128 ⇔ 135	Effect 16
		136 ⇔ 143	Effect 17
		144 ⇔ 151	Effect 18
		152 ⇔ 159	Effect 19
		160 ⇔ 167	Effect 20
168 ⇔ 175	Effect 21		
176 ⇔ 183	Effect 22		
184 ⇔ 191	Effect 23		
192 ⇔ 199	Effect 24		
200 ⇔ 207	Effect 25		
208 ⇔ 215	Effect 26		
216 ⇔ 223	Effect 27		
224 ⇔ 231	Effect 28		
232 ⇔ 239	Effect 29		
240 ⇔ 247	Effect 30		
248 ⇔ 255	Effect 31		
18	Movement macro speed	000 ⇔ 255	Fast to slow

Channel	Function	Value	Percent/Setting
19	Control	000 ⇔ 009	No function
		010 ⇔ 019	Defogging fan on, slow to fast
		020 ⇔ 029	Defogging fan off
		030 ⇔ 039	No function
		040 ⇔ 049	No function
		050 ⇔ 059	Pan/tilt fast mode
		060 ⇔ 069	Pan/tilt normal mode
		070 ⇔ 079	Blackout during pan/tilt (3 sec hold)
		080 ⇔ 089	Disable pan/tilt blackout (3 sec hold)
		090 ⇔ 099	Blackout while color wheel is moving (3 sec hold)
		100 ⇔ 109	Disable color wheel blackout (3 sec hold)
		110 ⇔ 119	Blackout while gobo wheels are moving (3 sec hold)
		120 ⇔ 129	Disable gobo wheel blackout (3 sec hold)
		130 ⇔ 139	Lamp on
		140 ⇔ 149	Pan/tilt reset
		150 ⇔ 159	Color wheel reset
		160 ⇔ 169	Gobo wheel reset
		170 ⇔ 179	Strobe/prism reset
		180 ⇔ 189	No function
		190 ⇔ 199	Frost/focus reset
200 ⇔ 209	All reset		
210 ⇔ 219	Blackout all function during pan/tilt		
220 ⇔ 229	Disable blackout all function during pan/tilt		
230 ⇔ 239	Lamp off		
240 ⇔ 255	No function		

16CH

Channel	Function	Value	Percent/Setting
1	Pan	000 ⇔ 255	0–100%
2	Pan fine	000 ⇔ 255	Fine control (16-bit)
3	Tilt	000 ⇔ 255	0–100%
4	Tilt fine	000 ⇔ 255	Fine control (16-bit)
5	Pan/tilt speed	000 ⇔ 255	Fast to slow
6	Dimmer	000 ⇔ 255	0–100%
7	Strobe	000 ⇔ 007	No function
		008 ⇔ 015	On
		016 ⇔ 131	Synchronized strobe, slow to fast
		132 ⇔ 167	Fast off, slow on (slow to fast)
		168 ⇔ 203	Slow off, fast on (slow to fast)
		204 ⇔ 239	Pulse strobe, slow to fast
		240 ⇔ 250	Random strobe, slow to fast
8	Color wheel (see Color Wheel)	251 ⇔ 255	On
		000 ⇔ 004	Open
		005 ⇔ 008	Red
		009 ⇔ 012	Orange
		013 ⇔ 016	Cyan
		017 ⇔ 020	Green
		021 ⇔ 024	Lime green
		025 ⇔ 028	Lavender
		029 ⇔ 032	Pink
		033 ⇔ 036	Light yellow
		037 ⇔ 040	Magenta
		041 ⇔ 044	Blue
		045 ⇔ 048	Yellow
		049 ⇔ 052	CTB 3200K
		053 ⇔ 056	CTO 6500K
		057 ⇔ 060	UV
		061 ⇔ 127	Split colors
128 ⇔ 189	Clockwise color scroll, fast to slow		
190 ⇔ 193	Stop		
194 ⇔ 255	Counterclockwise color scroll, slow to fast		

Channel	Function	Value	Percent/Setting
9	Gobo wheel 1 (see Gobo Wheel)	000 ⇔ 003	Open
		004 ⇔ 006	Gobo 1
		007 ⇔ 009	Gobo 2
		010 ⇔ 012	Gobo 3
		013 ⇔ 015	Gobo 4
		016 ⇔ 018	Gobo 5
		019 ⇔ 021	Gobo 6
		022 ⇔ 024	Gobo 7
		025 ⇔ 027	Gobo 8
		028 ⇔ 030	Gobo 9
		031 ⇔ 033	Gobo 10
		034 ⇔ 036	Gobo 11
		037 ⇔ 039	Gobo 12
		040 ⇔ 042	Gobo 13
		043 ⇔ 045	Gobo 14
		046 ⇔ 048	Gobo 15
		049 ⇔ 051	Gobo 16
		052 ⇔ 055	Gobo 17
		056 ⇔ 059	Open
		060 ⇔ 063	Gobo 1 shaking, slow to fast
		064 ⇔ 067	Gobo 2 shaking, slow to fast
		068 ⇔ 071	Gobo 3 shaking, slow to fast
		072 ⇔ 075	Gobo 4 shaking, slow to fast
		076 ⇔ 079	Gobo 5 shaking, slow to fast
		080 ⇔ 083	Gobo 6 shaking, slow to fast
		084 ⇔ 087	Gobo 7 shaking, slow to fast
		088 ⇔ 091	Gobo 8 shaking, slow to fast
		092 ⇔ 095	Gobo 9 shaking, slow to fast
		096 ⇔ 099	Gobo 10 shaking, slow to fast
		100 ⇔ 103	Gobo 11 shaking, slow to fast
		104 ⇔ 107	Gobo 12 shaking, slow to fast
		108 ⇔ 111	Gobo 13 shaking, slow to fast
112 ⇔ 115	Gobo 14 shaking, slow to fast		
116 ⇔ 119	Gobo 15 shaking, slow to fast		
120 ⇔ 123	Gobo 16 shaking, slow to fast		
124 ⇔ 127	Gobo 17 shaking, slow to fast		
128 ⇔ 189	Clockwise gobo scroll, fast to slow		
190 ⇔ 193	Stop		
194 ⇔ 255	Counterclockwise gobo scroll, slow to fast		
10	Prism 1	000 ⇔ 004	No function
		005 ⇔ 255	Prism insert
11	Rotating prism 1	000 ⇔ 127	Prism index
		128 ⇔ 189	Clockwise rotation, fast to slow
		190 ⇔ 193	Stop
		194 ⇔ 255	Counterclockwise rotation, slow to fast
12	Prism 2	000 ⇔ 004	No function
		005 ⇔ 255	Prism index
13	Rotating prism 2	000 ⇔ 127	Prism index
		128 ⇔ 189	Clockwise rotation, fast to slow
		190 ⇔ 193	Stop
		194 ⇔ 255	Counterclockwise rotation, slow to fast

Channel	Function	Value	Percent/Setting
14	Focus	000 ⇔ 255	0–100%
15	Frost	000 ⇔ 255	0–100%
16	Control	000 ⇔ 009	No function
		010 ⇔ 019	Defogging fan on, slow to fast
		020 ⇔ 029	Defogging fan off
		030 ⇔ 039	No function
		040 ⇔ 049	No function
		050 ⇔ 059	Pan/tilt fast mode
		060 ⇔ 069	Pan/tilt normal mode
		070 ⇔ 079	Blackout during pan/tilt (3 sec hold)
		080 ⇔ 089	Disable pan/tilt blackout (3 sec hold)
		090 ⇔ 099	Blackout while color wheel is moving (3 sec hold)
		100 ⇔ 109	Disable color wheel blackout (3 sec hold)
		110 ⇔ 119	Blackout while gobo wheels are moving (3 sec hold)
		120 ⇔ 129	Disable gobo wheel blackout (3 sec hold)
		130 ⇔ 139	Lamp on
		140 ⇔ 149	Pan/tilt reset
		150 ⇔ 159	Color wheel reset
		160 ⇔ 169	Gobo wheel reset
		170 ⇔ 179	Strobe/prism reset
		180 ⇔ 189	No function
		190 ⇔ 199	Frost/focus reset
200 ⇔ 209	All reset		
210 ⇔ 219	Blackout all function during pan/tilt		
220 ⇔ 229	Disable blackout all function during pan/tilt		
230 ⇔ 239	Lamp off		
240 ⇔ 255	No function		

Address

This programming level sets the DMX starting address. In this mode, each product will respond to a unique starting address from the DMX controller. All products with the same starting address will respond in unison. This option sets the products DMX address.

1. Starting from the Main Level screen, select **Address**, press **<ENTER>**.
2. Select the starting address (**001–512**), press **<ENTER>**.

Run Mode

This programming level sets the DMX personality and controls the different test modes.

- Starting from the Main Level screen, select **Run Mode**, press **<ENTER>**.

DMX Personality

This setting allows you to choose a particular DMX personality.

1. Highlight **DMX**, press **<ENTER>**.
2. Select the DMX personality **16CH** or **19CH**, then press **<ENTER>**.



Make sure that the starting addresses on the various products do not overlap due to the new personality setting.

Auto Test

This option runs every attribute individually through one cycle.

- Highlight **Auto Test**, press **<ENTER>**.



The Auto Test will end after one full cycle. You can stop the test by pressing <MENU> at any time.

Manual Test

This option allows each attribute to run individually or as a group.

1. Highlight **Manual Test**, press **<ENTER>**.
2. Highlight the desired attribute listed on the control panel screen, press **<ENTER>**.
3. Set the attribute value (**000–255**), press **<ENTER>**.
4. Repeat step 2 for the other attributes.



When exiting the Manual Test level, the values of all tested channels will revert to zero.

Setup

This programming level controls the product's head movement, display, dimming, lamp settings, and maintenance adjustments.

- Starting from the Main Level screen, select **Setup**, press **<ENTER>**.

Pan Reverse

Reverses the operation of the pan attribute.

1. Highlight **Pan Reverse**, press **<ENTER>**.
2. Select **YES** (reverse pan) or **NO** (normal pan), press **<ENTER>**.

Tilt Reverse

Reverses the operation of the tilt attribute.

1. Highlight **Tilt Reverse**, press **<ENTER>**.
2. Select **YES** (reverse tilt) or **NO** (normal tilt), press **<ENTER>**.

Pan Angle

This option assigns pan range.

1. Highlight **Pan Angle**, press **<ENTER>**.
2. Select **540**, **360**, or **180**, press **<ENTER>**.

Tilt Angle

This option assigns tilt range.

1. Highlight **Tilt Angle**, press <ENTER>.
2. Select **90**, **180**, or **270**, press <ENTER>.

BL.O. P/T Move

Enables/disables blackout on pan/tilt move.

1. Highlight **BL.O.P/T Move**, press <ENTER>.
2. Select **YES** (blackout while panning/tilting) or **NO** (disable blackout while panning/tilting), press <ENTER>.

BL.O. Color Move

Enables/disables blackout on color wheel move.

1. Highlight **BL.O.Color Move**, press <ENTER>.
2. Select **YES** (blackout while color wheel is moving) or **NO** (disable blackout while color wheel is moving), press <ENTER>.

BL.O. Gobo Move

Enables/disables blackout on gobo wheel move.

1. Highlight **BL.O.Gobo Move**, press <ENTER>.
2. Select **YES** (blackout while gobo wheel is moving) or **NO** (disable blackout while gobo wheel is moving), press <ENTER>.

Lamp Controls

This programming level allows the user to change a range of options that control the action of the lamp.

- Starting from the **Setup** screen level, select **Lamp Settings**, press <ENTER>.

Lamp Settings

This option turns the lamp on and off.

1. Highlight **On/Off**, press <ENTER>.
2. Select **ON** or **OFF**, press <ENTER>.



- **Do not turn product on without a lamp!**
- **ALWAYS** turn the lamp off by using the DMX controller or the product's control panel, then wait at least 5 minutes before switching off the product. This will keep the fans running to extract any remaining heat from the product's head.
- **DO NOT** power cycle the product unless it is necessary.
- **DO NOT** re-strike the lamp immediately after turning it off. Chauvet recommends waiting 5 minutes before trying to re-strike the lamp.

Lamp State

This option determines whether the lamp turns on automatically when the product is powered up.

1. Highlight **State/Power on**, press <ENTER>.
2. Select **ON** or **OFF**, press <ENTER>.

Remote Turn Off

This option allows a connected DMX controller to turn the lamp on/off via the control channel.

1. Highlight **Off via DMX**, press <ENTER>.
2. Select **YES** or **NO**, press <ENTER>.

Lamp On if DMX Present

This option determines whether the lamp turns on automatically when a DMX signal is detected.

1. Highlight **On if DMX On**, press <ENTER>.
2. Select **YES** or **NO**, press <ENTER>.

Lamp Off if DMX Absent

This option determines whether the lamp turns off automatically when a DMX signal is lost.

1. Highlight **Off if Dmx Off**, press <ENTER>.
2. Select **YES** or **NO**, press <ENTER>.

Lamp Strike Delay

This option sets the duration of time (seconds) it takes for the lamp to turn on when powering up the product.

1. Highlight **Ignition Delay**, press <ENTER>.
2. Select **0–255**, press <ENTER>.

Lamp Low Power State

This attribute puts the lamp into a low power state when the shutters are closed, helping to increase the life of the shutters. This option allows the user to adjust how long from the instant the shutters are closed to the time the lamp enters the low power state.

1. Highlight **Low Power Delay**, press **<ENTER>**.
2. Select **0–255**, press **<ENTER>**.

Lamp Timer

This procedure resets the lamp maintenance timer to **0**. It is recommended that this be done after every lamp change.

1. Highlight **Reset Lamp Time**, press **<ENTER>**.
2. Select **YES** (resets lamp timer to 0) or **NO** (leaves lamp time unchanged), press **<ENTER>**.

Maintenance Timer

This programming level allows the user to change a range of options that control the action of the maintenance timer.

- Starting from the **Setup** screen level, select **Maintenance Timer**, press **<ENTER>**.

Maintenance Timer Interval

This option defines the amount of time (hours) that the maintenance timer will count down to.

1. Highlight **Interval Time**, press **<ENTER>**.
2. Select **010–250**, press **<ENTER>**.

Maintenance Timer Reset

This procedure resets the lamp maintenance timer to **0**. It is recommended that this be done after every lamp change.

1. Highlight **Remain Time**, press **<ENTER>**.
2. Select **NO** (leaves lamp maintenance timer as it is) or **RESET** (resets the amount of time remaining in the maintenance cycle), press **<ENTER>**.

Reset Function

This programming level allows the user to reset individual functions to the home position.

- Starting from the **Setup** screen level, select **Reset Function**, press **<ENTER>**.

Pan/Tilt Reset

This option resets the pan/tilt functions to the home position.

1. Highlight **Pan/Tilt**, press **<ENTER>**.
2. Select **YES** or **NO**, press **<ENTER>**.

Shutter/Prism Reset

This option resets the shutter/prism functions to the home position.

1. Highlight **Shutter/Prism**, press **<ENTER>**.
2. Select **YES** or **NO**, press **<ENTER>**.

Color Reset

This option resets the color functions to the home position.

1. Highlight **Color**, press **<ENTER>**.
2. Select **YES** or **NO**, press **<ENTER>**.

Gobo Reset

This option resets the gobo functions to the home position.

1. Highlight **Gobo**, press **<ENTER>**.
2. Select **YES** or **NO**, press **<ENTER>**.

Frost/Focus Reset

This option resets the frost/focus functions to the home position.

1. Highlight **Frost/Focus**, press **<ENTER>**.
2. Select **YES** or **NO**, press **<ENTER>**.

All Reset

This option resets all the functions to the home position.

1. Highlight **All**, press **<ENTER>**.
2. Select **YES** or **NO**, press **<ENTER>**.

Factory Reset Function

This resets the product back to its original factory settings.

1. Starting from the **Setup** screen level, select **Factory Settings**, press **<ENTER>**.
2. Select **YES** or **NO**, press **<ENTER>**.

System Information

This programming level shows standard information regarding the product's operating status. Starting from the Main Level screen, select **Sys Info**, press **<ENTER>**.

- **Disp Ver:** The current software version is displayed on the screen.
- **P&T Ver:** The current pan/tilt version is displayed on the screen.
- **Gobo Ver:** The current gobo version is displayed on the screen.
- **Prism Ver:** The current prism version is displayed on the screen.
- **other Ver:** The current base version is displayed on the screen.
- **Running Mode:** The current running mode is displayed on the screen.
- **DMX Address:** The current DMX address is displayed on the screen.
- **Lamp On Time:** The current lamp on time is displayed on the screen.
- **Remain Time:** The current lamp maintenance time is displayed on the screen.
- **Temperature:** The current product temperature is displayed on the screen.
- **Lamp Voltage:** The lamp's voltage is displayed on the screen.
- **Lamp Current:** The lamp's current is displayed on the screen.
- **Lamp Power:** The lamp's power is displayed on the screen.
- **Fan Speed:** The product's fan speed is displayed on the screen.
- **UID:** The product's UID is displayed on the screen.

OPERATION

Offset Mode

The Offset mode provides fine adjustments for the home position of all the moving parts in the optical path as well as the pan and tilt movements. This way, when in their home position, the moving parts do not show any border or reduce the light output.

1. Starting from the Main Level screen, press and hold **<MENU>** until the passcode screen appears.
2. Using **<UP>** to increase the number value and **<DOWN>** to move to the next column, enter **2323**, press **<ENTER>**. This brings you into the Zero Adjust menu screen.

Pan

1. Highlight **PAN**, press **<ENTER>**.
2. Select **000–255**, press **<ENTER>**.

Tilt

1. Highlight **TILT**, press **<ENTER>**.
2. Select **000–255**, press **<ENTER>**.

Shutter 1

1. Highlight **SHUT1**, press **<ENTER>**.
2. Select **000–255**, press **<ENTER>**.

Shutter 2

1. Highlight **SHUT2**, press **<ENTER>**.
2. Select **000–255**, press **<ENTER>**.

Color

1. Highlight **COLOR**, press **<ENTER>**.
2. Select **000–255**, press **<ENTER>**.

Gobo

1. Highlight **GOBO**, press **<ENTER>**.
2. Select **000–255**, press **<ENTER>**.

Prism 1

1. Highlight **PRISM1**, press **<ENTER>**.
2. Select **000–255**, press **<ENTER>**.

Rotating Prism 1

1. Highlight **PRISM1 ROTATE**, press **<ENTER>**.
2. Select **000–255**, press **<ENTER>**.

Prism 2

1. Highlight **PRISM2**, press **<ENTER>**.
2. Select **000–255**, press **<ENTER>**.

Rotating Prism 2

1. Highlight **PRISM2 ROTATE**, press **<ENTER>**.
2. Select **000–255**, press **<ENTER>**.

Focus

1. Highlight **FOCUS**, press **<ENTER>**.
2. Select **000–255**, press **<ENTER>**.

Frost

1. Highlight **FROST**, press **<ENTER>**.
2. Select **000–255**, press **<ENTER>**.

Mac 4

1. Highlight **MAC4**, press **<ENTER>**.
2. Select **000–255**, press **<ENTER>**.

Mac 5

1. Highlight **MAC5**, press **<ENTER>**.
2. Select **000–255**, press **<ENTER>**.

Mac 6

1. Highlight **MAC6**, press **<ENTER>**.
2. Select **000–255**, press **<ENTER>**.

5. Technical Information

Product Maintenance

To maintain optimum performance and minimize wear, clean this product frequently. Usage and environment are contributing factors in determining the cleaning frequency.

Clean this product at least twice a month. Dust build-up reduces light output performance and can cause overheating. This can lead to reduced light source life and increased mechanical wear.

To clean the product:

1. Unplug the product from power.
2. Wait until the product is at room temperature.
3. Use a vacuum (or dry compressed air) and a soft brush to remove dust collected on the external vents.
4. Clean all transparent surfaces with a mild soap solution, ammonia-free glass cleaner, or isopropyl alcohol.
5. Apply the solution directly to a soft, lint-free cotton cloth or a lens-cleaning tissue.
6. Softly drag any dirt or grime to the outside of the transparent surface.
7. Gently polish the transparent surfaces until they are free of haze and lint.



Always dry the transparent surfaces carefully after cleaning them.



Do not spin the cooling fans while blowing compressed air into them.

6. Technical Specifications

Dimensions and Weight

Length	Width	Height	Weight
16.23 in (412 mm)	12.2 in (310 mm)	23.19 in (589 mm)	70.2 lb (32 kg)

Note: Dimensions in inches rounded to the nearest hundredth.

Power

Power Supply Type	Range	Voltage Selection
Switching (internal)	100 to 240 VAC, 50/60 Hz	Auto-ranging

Parameter	100 V, 60 Hz	120 V, 60 Hz	208 V, 60 Hz	230 V, 50 Hz	240 V, 50 Hz
Consumption	502 W	464 W	480 W	486 W	490 W
Operating current	5.03 A	3.86 A	2.33 A	2.12 A	1.94 A
Fuse	T 5 A, 250 V	T 5 A, 250 V	T 5 A, 250 V	T 5 A, 250 V	T 5 A, 250 V

Power I/O	U.S./Canada	Worldwide
Power input connector	Seetronic Powerkon IP65 power cord	Seetronic Powerkon IP65 power cord
Power output connector	Seetronic Powerkon IP65 power cord	Seetronic Powerkon IP65 power cord
Power cord plug	Edison (U.S.)	Local plug

Light Source

Type	Power	Lifespan
USHIO NSL	300 W	8,000 hours

Photometrics

Beam Angle	Field Angle	Cutoff Angle	Illuminance @ 15 m
1.2°	2.1°	3°	154,000 lux

Thermal

Maximum External Temperature	Cooling System
113 °F (45 °C)	Convection

DMX

I/O Connector	Channel Range
5-pin XLR	16 or 19

Ordering

Product Name	Item Code	UPC Number
Rogue Outcast 1 Beam	25011676	781462220242



UL 1573
CSA C22.2 No. 166
E113093



Returns

Send the product prepaid, in the original box, and with the original packing and accessories. Chauvet will not issue call tags.

Call Chauvet and request a Return Merchandise Authorization (RMA) number before shipping the product. Be prepared to provide the model number, serial number, and a brief description of the cause(s) for the return. Clearly label the package with an RMA number. Chauvet will refuse any product returned without an RMA number.



Write the RMA number on a properly affixed label. DO NOT write the RMA number directly on the box.

Once you have the RMA number, provide the following information on a piece of paper and place it inside the box:

- Your name
- Your address
- Your phone number
- RMA number
- A brief description of the problem

Be sure to pack the product properly. Any shipping damage resulting from inadequate packaging will be your responsibility. FedEx packing or double-boxing are recommended.



Chauvet reserves the right to use its own discretion to repair or replace returned product(s).

Contact Us

General Information	Technical Support
Chauvet World Headquarters	
Address: 5200 NW 108th Ave. Sunrise, FL 33351 Voice: (954) 577-4455 Fax: (954) 929-5560 Toll Free: (800) 762-1084	Voice: (844) 393-7575 Fax: (954) 756-8015 Email: chauvetcs@chauvetlighting.com Website: www.chauvetprofessional.com
Chauvet Europe Ltd	
Address: Unit 1C Brookhill Road Industrial Estate Pinxton, Nottingham, UK NG16 6NT Voice: +44 (0) 1773 511115 Fax: +44 (0) 1773 511110	Email: UKtech@chauvetlighting.eu Website: www.chauvetprofessional.eu
Chauvet Europe BVBA	
Address: Stokstraat 18 9770 Kruishoutem Belgium Voice: +32 9 388 93 97	Email: BNLtech@chauvetlighting.eu Website: www.chauvetprofessional.eu
Chauvet France	
Address: 3, Rue Ampère 91380 Chilly-Mazarin France Voice: +33 1 78 85 33 59	Email: FRtech@chauvetlighting.fr Website: www.chauvetprofessional.eu
Chauvet Germany	
Address: Bruno-Bürgel-Str. 11 28759 Bremen Germany Voice: +49 421 62 60 20	Email: DEtech@chauvetlighting.de Website: www.chauvetprofessional.eu
Chauvet Mexico	
Address: Av. de las Partidas 34 - 3B (Entrance by Calle 2) Zona Industrial Lerma Lerma, Edo. de México, CP 52000 Voice: +52 (728) 690-2010	Email: servicio@chauvet.com.mx Website: www.chauvetprofessional.mx

Visit the applicable website above to verify our contact information and instructions to request support. Outside the U.S., U.K., Ireland, Mexico, France, Germany, or Benelux, contact the dealer of record.