



Simply Better Connections

US3344I

4 x 4 USB 3.2 Gen 1 Industrial
Hub Switch
User Manual

Compliance Statements

FEDERAL COMMUNICATIONS COMMISSION INTERFERENCE STATEMENT

This equipment has been tested and found to comply with the limits for a Class A digital device, pursuant to Part 15 of the FCC Rules. These limits are designed to provide reasonable protection against harmful interference when the equipment is operated in a commercial environment. This equipment generates, uses, and can radiate radio frequency energy and, if not installed and used in accordance with the instruction manual, may cause harmful interference to radio communications. Operation of this equipment in a residential area is likely to cause harmful interference in which case the user will be required to correct the interference at his own expense.

The device complies with Part 15 of the FCC Rules. Operation is subject to the following two conditions: (1) this device may not cause harmful interference, and (2) this device must accept any interference received, including interference that may cause undesired operation.

FCC Caution

Any changes or modifications not expressly approved by the party responsible for compliance could void the user's authority to operate this equipment.

Warning

Operation of this equipment in a residential environment could cause radio interference.

Achtung

Der Gebrauch dieses Geräts in Wohnumgebung kann Funkstörungen verursachen.



KCC Statement

유선 제품용 / A 급 기기 (업무용 방송 통신 기기)
이 기기는 업무용 (A 급) 전자파적합기기로서 판매자 또는 사용자는 이
점을 주의하시기 바라며 , 가정 외의 지역에서 사용하는 것을 목적으로
합니다 .

Industry Canada Statement

This Class A digital apparatus complies with Canadian ICES-003.

CAN ICES-003 (A) / NMB-003 (A)

RoHS

This product is RoHS compliant.

User Information

Online Registration

Be sure to register your product at our online support center:

International	http://eservice.aten.com
---------------	---

Telephone Support

For telephone support, call this number:

International	886-2-8692-6959
China	86-400-810-0-810
Japan	81-3-5615-5811
Korea	82-2-467-6789
North America	1-888-999-ATEN ext 4988 1-949-428-1111

User Notice

All information, documentation, and specifications contained in this manual are subject to change without prior notification by the manufacturer. The manufacturer makes no representations or warranties, either expressed or implied, with respect to the contents hereof and specifically disclaims any warranties as to merchantability or fitness for any particular purpose. Any of the manufacturer's software described in this manual is sold or licensed *as is*. Should the programs prove defective following their purchase, the buyer (and not the manufacturer, its distributor, or its dealer), assumes the entire cost of all necessary servicing, repair and any incidental or consequential damages resulting from any defect in the software.

The manufacturer of this system is not responsible for any radio and/or TV interference caused by unauthorized modifications to this device. It is the responsibility of the user to correct such interference.

The manufacturer is not responsible for any damage incurred in the operation of this system if the correct operational voltage setting was not selected prior to operation. PLEASE VERIFY THAT THE VOLTAGE SETTING IS CORRECT BEFORE USE.

Product Information

For information about all ATEN products and how they can help you connect without limits, visit ATEN on the Web or contact an ATEN Authorized Reseller. Visit ATEN on the Web for a list of locations and telephone numbers:

International	http://www.aten.com
North America	http://www.aten-usa.com

Package Contents

Check to make sure that all the components are in working order. If you encounter any problem, please contact your dealer.

1 US3344I 4x4 USB 3.2 Gen 1 Industrial Hub Switch

2 USB 3.1 Gen 1 Type-B to Type-A cable 1.2M

2 USB 3.1 Gen 1 Type-B to Type-A cable 1.8M

1 remote port selector

1 mounting kit

1 terminal block adapter set (an RS-422 / RS-485 and a DC terminal block adapter)

1 power adapter (sold separately from your closest ATEN dealer)

1 user instructions

Table of Contents

Compliance Statements	ii
User Information	iv
Online Registration	iv
User Notice	iv
Product Information	v
Package Contents	vi
Table of Contents	vii
About this Manual	viii
Conventions	ix
1. Introduction	
Overview	1
Features	2
Components	3
2. Hardware Setup	
Mounting	5
Rack Mounting	6
Wall Mounting	6
Connecting the Unit	7
RS-422 / RS-485 Terminal Block Connection	8
3. Settings / Port Selection	
DIP Switch Mode Selection	9
Firmware Upgrade	11
Baud Rate	12
Port Selection	13
RS-422 / RS-485 Port Selection	13
Appendix	
Safety Instructions	15
General	15
Rack Mounting	17
Technical Support	18
International	18
Specifications	19
Limited Warranty	21

About this Manual

This user manual is provided to help you get the most from the US3344I unit. It covers all aspects of installation, configuration, and operation. An overview of the information found in the manual is provided below.

Chapter 1, Introduction introduces you to the 4x4 USB 3.1 Gen 1 Industrial Hub Switch. Its purpose, features, and panel components are presented and described.

Chapter 2, Hardware Setup describes the steps that are necessary to quickly and safely set up your installation.

Chapter 3, Settings / Port Selection explains the DIP switch options of the unit, port selection options, and serial commands of the unit.


Appendix provides a list of safety instructions and precautions, contact information for ATEN technical support, product specifications, and other technical information.

Note:

- ◆ Read this manual thoroughly and follow the installation and operation procedures carefully to prevent any damage to the unit or any connected devices.
 - ◆ The product may be updated, with features and functions added, improved or removed since the release of this manual. For an up-to-date user manual, visit <http://www.aten.com/global/en/>
-

Conventions

This manual uses the following conventions:

- | | |
|---|--|
| <code>Monospaced</code> | Indicates text that you should key in. |
| [] | Indicates keys you should press. For example, [Enter] means to press the Enter key. If keys need to be chorded, they appear together in the same bracket with a plus sign between them: [Ctrl+Alt]. |
| 1. | Numbered lists represent procedures with sequential steps. |
| ◆ | Bullet lists provide information, but do not involve sequential steps. |
| > | Indicates selecting the option (on a menu or dialog box, for example), that comes next. For example, Start > Run means to open the <i>Start</i> menu, and then select <i>Run</i> . |
|  | Indicates critical information. |

This Page Intentionally Left Blank

Chapter 1

Introduction

Overview

The US3344I is a 4-port USB3.2 Gen1 Industrial Switch that enables 4 computers to share and use USB3.1 Gen1 devices such as keyboard, mouse and other peripheral devices. You can manually switch the focus to a particular computer using the pushbutton on the switch, or have the focus automatically switched based on detection of connected computers.

It eliminates the cost to implement the complicated redundant systems and equipment for each computer. The US3344I chassis and rack mountable design is suitable for any industrial environment. For extra convenience, it features an external remote control port that can simplify cabling layout.

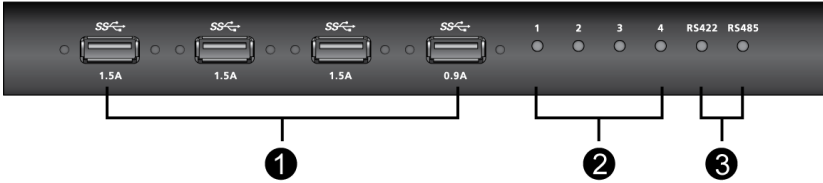
The US3344I allows for a neat and tidy installation –The USB cables are bundled to save the extra cost of purchasing USB cables.

Features

- ◆ Enables four computers to share USB peripheral up to four devices
- ◆ Supports USB 3.2 Gen1 specification, maximum data transfer rates up to 5Gbps
- ◆ Multiplatform support - Windows, Mac and Linux
- ◆ LED indicators display port focus
- ◆ Metal mechanical cassis with wall mountable designs
- ◆ Supports aftermarket USB M2 screw locking cable
- ◆ Supports port selection via remote controller or RS-422/RS-485 link through 5-pin terminal block
- ◆ Hot pluggable
- ◆ Supports DC 9-24V power input by terminal block
- ◆ Supports Battery Charging V1.2 and over current protection
- ◆ Power-on detection
 - ◆ The computer focus automatically switches to a newly plugged-in or powered-on computer.
 - ◆ The computer focus automatically switches to port 1 when the focused computer is unplugged or powered-off.

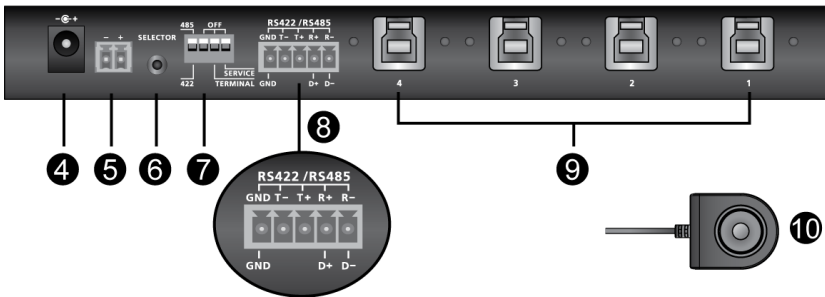
Components

Front View



No.	Component	Description
1	USB Type-A peripheral ports	Connect USB peripherals you wish to access from the computer in your setup
2	port indicator LEDs	The LEDs correspond to the ports. When a port is connected, the corresponding LED will light.
3	RS-422 / RS-485 LEDs	The LED of the selected serial command will light up.

Rear View



No.	Component	Description
4	power input (DC jack)	Connects a power adapter to power the unit.
5	power input (DC terminal block)	Connects the terminals for the terminal block to power the unit.
6	remote selector jack	Connects with the remote port selector.

No.	Component	Description
7	control DIP switch	Adjust the switch for different operations / features.
8	RS-422 / RS-485 serial command input (terminal block)	Connects to RS-422 / RS-485 serial command input for serial commands.
9	USB Type-B host port	Connect to host computers.
10	remote port selector	When connected to the unit, click the button to switch to the next port.

Chapter 2

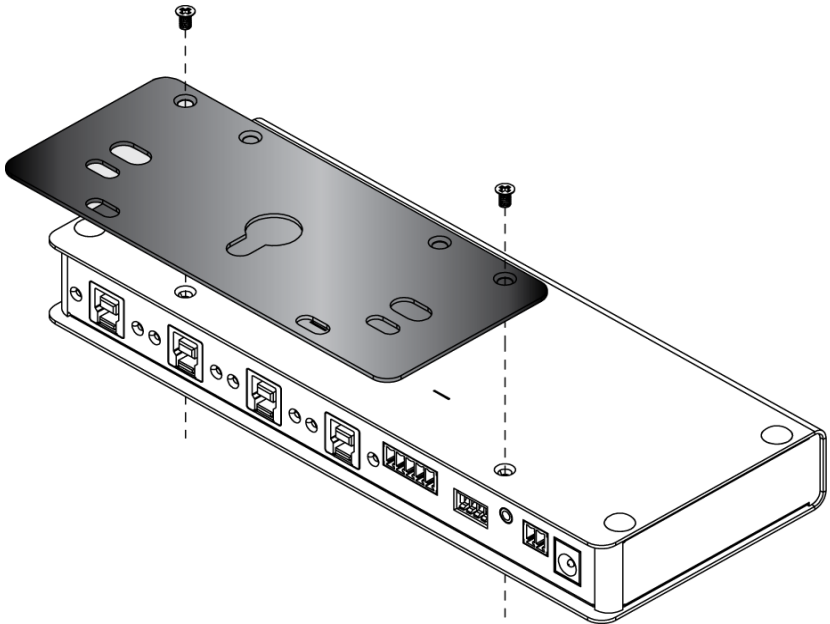
Hardware Setup



Please review the safety information regarding the placement of this device in *Safety Instructions*, page 15.

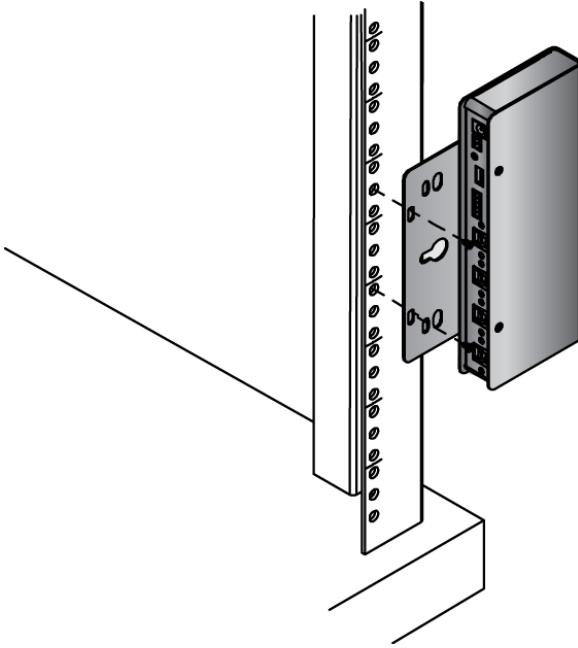
Mounting

Use the screws provided with the mounting kit to screw the mounting bracket to the bottom of the unit (Refer to the drawings shown above).



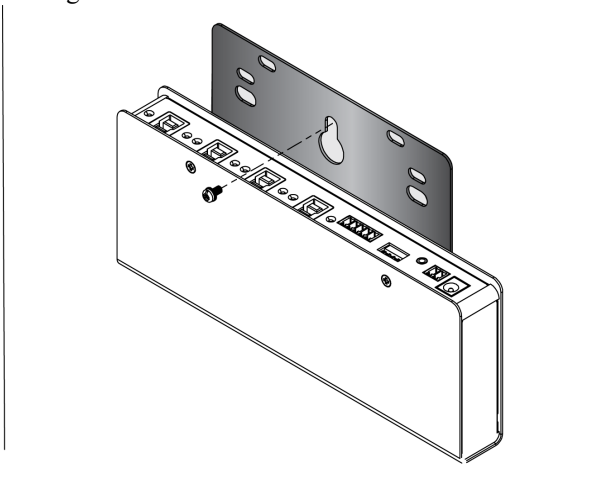
Rack Mounting

Screw the mounting bracket to any convenient location on the rack.



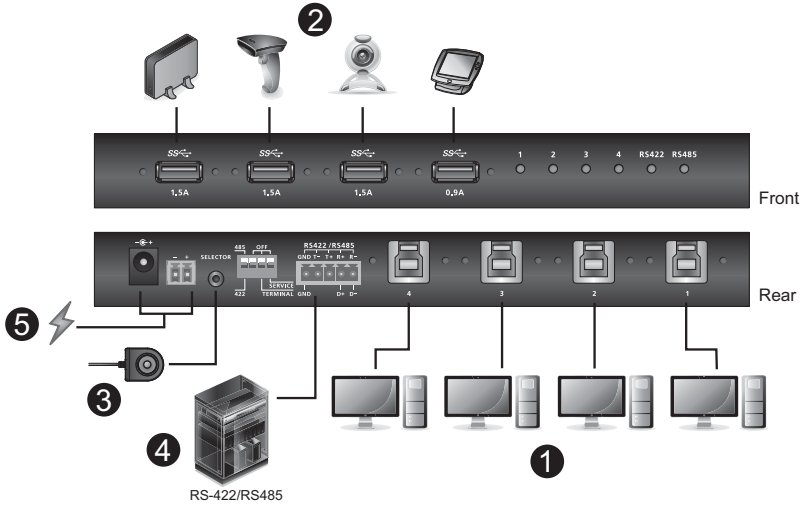
Wall Mounting

Use the mounting bracket's center screw hole to mount the unit on a wall.



Connecting the Unit

Follow the steps below to connect the US3344I unit.



1. Plug the USB 3.2 Gen 1 Type-A end of the included USB cables into your computers (up to 4 computers) and plug the USB 3.2 Gen 1 Type-B end of the included USB cables into the back of the US3344I
2. Plug your USB peripheral devices into the USB type-A peripheral ports of the US3344I.
3. Plug the remote port selector to the remote selector jack.
4. (Optional) Preparing RS-422/RS-485 serial command port selector*:
 - a) Select a port selection serial signal (RS-422/RS-485) from the DIP switch on the back side of US3344I.
 - b) Select serial terminal function from the DIP switch on the back side of US3344I.
 - c) Insert the command wires to the **RS-422/RS-485 terminal block adapter** according to the labeled sign of the chassis (Refer to *RS-422 / RS-485 Terminal Block Connection* on page 8). Tighten the slot screws. Plug the terminal block adapter to the **serial command port**.

Note: For RS422 connection, the T +/- terminals of your selector system must be connected to the R +/- terminals of the terminal block, and vice versa (e.g. T+ to R+, T- to R-).

5. Prepare a power input by either:

a) Connecting the DC terminal block for power input**: Insert DC + and - wires (9 to 24V DC) to the **DC terminal block adapter** according to the labeled sign. Tighten the slot screws. Plug the terminal block adapter to US3344I; Or

b) (Optional) Connecting a power adapter*** to the DC power input jack.

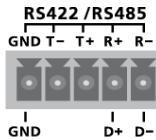
*You can connect both remote port selector and serial command port selectors for port selection.

**If both power inputs are connected, power from the DC jack will be prioritized.

***Available for purchase separately from your closest ATEN dealer (Part No.: 0AD8-8012-33MG)

RS-422 / RS-485 Terminal Block Connection

For RS-422 / RS-485 connection, please connect the wires according to the diagram below and the following table.



Pin 1 2 3 4 5

For RS-422 / RS-485 commands, please refer to *RS-422 / RS-485 Port Selection* on page 13.

Pin	RS-422 (4-wire)	RS-485 (2-wire)
1	GND	GND
2	TxD - (A)	-
3	TxD + (B)	-
4	RxD + (B)	Data + (A)
5	RxD - (A)	Data - (B)

For RS422 connection, the T +/- terminals of your selector system must be connected to the R +/- terminals of the terminal block, and vice versa (e.g. T+ to R+, T- to R-)

If you wish to have centralized control, you may utilize an ATEN Control Box (e.g. 2A-485, VK2100) where it can issue serial commands to control the unit. Please also connect the RS-422 / RS-485 interface according to the diagram and table above.

Chapter 3

Settings / Port Selection

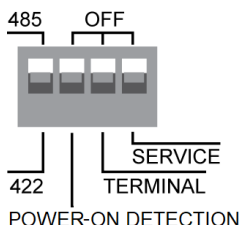


Please review the safety information regarding the placement of this device in *Safety Instructions*, page 15.

DIP Switch Mode Selection

The unit comes with a DIP switch set to allow for mode selection.

The DIP switch set is shown in the picture below:



Slide the switches to determine the mode the unit is in. Please consult the table below:

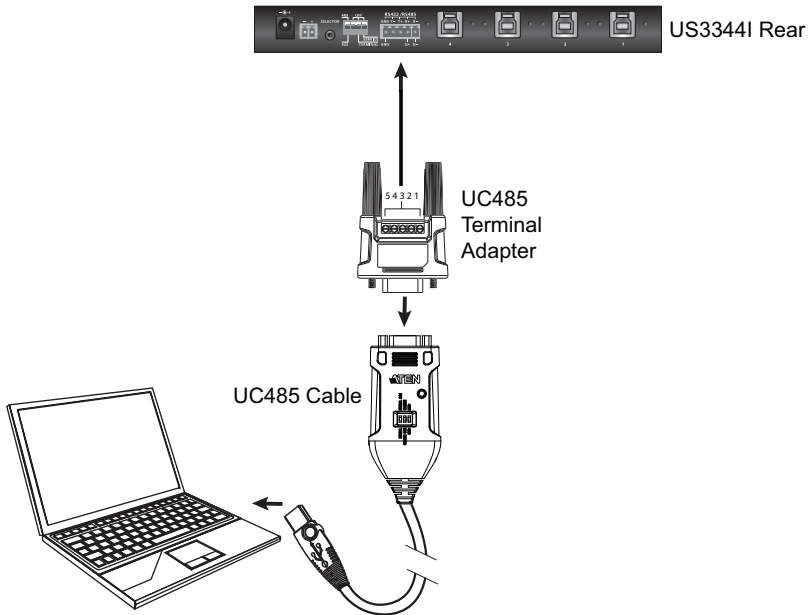
Switch	Description	Default
485 / 422	Select an interface (RS-485 or RS-422) for "Port Selection". Please see <i>RS-422 / RS-485 Port Selection</i> on page 13.	485
POWER-ON DETECTION	Turn this on for power-on detection function. <ul style="list-style-type: none"> ◆ The computer focus automatically switches to a newly plugged-in or powered-on computer. ◆ The computer focus automatically switches to port 1 when the focused computer is unplugged or powered-off. <p>Note: This function is only supported by US33441 using firmware version v1.1.103 or later.</p>	OFF

Switch	Description	Default
TERMINAL	If the unit is the last serial device, you can choose to turn this function on. Turn the TERMINAL function ON or OFF .	OFF
SERVICE	Turn this on for firmware upgrade, please refer to <i>Firmware Upgrade</i> on page 11.	OFF

Firmware Upgrade

To upgrade the switch, prepare an ATEN UC485 USB to RS-422 / 485 adapter and follow the steps below. For more information, contact your local ATEN dealer.

1. Power down the device by removing the power input (power adapter or DC Terminal Block).
2. Slide the SERVICE switch to **SERVICE**.
3. Power on the device. All the LED will start flashing to indicate it is now in Upgrade Mode.
4. Connect the switch to a PC using the self-prepared ATEN UC485 USB to RS-422 / 485 adapter. Make sure you have a terminal program (e.g. Hyperterminal) with the proper terminal settings and is capable of communicating with the device.



5. Download the firmware from the link below:

<https://www.aten.com/global/en/products/usb-&-thunderbolt/peripheral-switches/us3344i/>

Note: If you wish to use a different baud rate for serial control, you may choose a firmware version suitable for that baud rate.

6. Make sure that the terminal program of the PC is set to the baud rate of the current firmware, and run the .exe firmware upgrade you have just downloaded.
7. Restart the device by removing and reconnecting power input.

Baud Rate

When RS-422 / RS-485 terminal block is connected to the computer, please configure the general settings of your terminal program so you are able to communicate with the device

The default settings is shown below:

- ◆ Baud Rate: 38400
- ◆ Data Bit: 8 bit
- ◆ Parity: None
- ◆ Stop Bit: 1 bit
- ◆ Flow Control: none

Different baud rate is available with different firmware versions. If you wish to use a different baud rate for serial communication, identify the baud rate you wish to use from the link below:

<https://www.aten.com/global/en/products/usb-&-thunderbolt/peripheral-switches/us3344i/>

Go through the steps in *Firmware Upgrade* to upgrade to the new firmware / baud rate.

Port Selection

Remote Port Selector: When a remote port selector is connected, you can click the selector's button to select a different port.

The click-to-toggle action switches ports in numeric order. If the active port is at port 4, clicking the button will switch to port 1.

RS-422 / RS-485 Port Selector: When RS-422 or RS-485 is connected, you can send serial commands to the unit to select a different port. You can send serial commands to either switch the ports in numeric order (like pressing a button on the remote port selector) or select a port directly.

RS-422 / RS-485 Port Selection

When RS-422 or RS-485 is connected, you can use serial commands to select a different port. The table below describes the serial commands and the responses:

Command	Variable	Unit Action
sw	NA	Switches to the next port in the numeric order.
sw p0X	X = (1, 2, 3, 4)	Switches to port X.
info	NA	Displays firmware information.

If the unit replies with:

Command OK, the command is correct and unit action is executed.

Command Incorrect, the command is incorrect and no action is executed.

This Page Intentionally Left Blank

Safety Instructions

General

- ◆ This product is for indoor use only.
- ◆ Read all of these instructions. Save them for future reference.
- ◆ Follow all warnings and instructions marked on the device.
- ◆ Do not place the device on any unstable surface (cart, stand, table, etc.). If the device falls, serious damage will result.
- ◆ Do not use the device near water.
- ◆ Do not place the device near, or over, radiators or heat registers.
- ◆ The device cabinet is provided with slots and openings to allow for adequate ventilation. To ensure reliable operation, and to protect against overheating, these openings must never be blocked or covered.
- ◆ The device should never be placed on a soft surface (bed, sofa, rug, etc.) as this will block its ventilation openings. Likewise, the device should not be placed in a built in enclosure unless adequate ventilation has been provided.
- ◆ Never spill liquid of any kind on the device.
- ◆ Unplug the device from the wall outlet before cleaning. Do not use liquid or aerosol cleaners. Use a damp cloth for cleaning.
- ◆ The device should be operated from the type of power source indicated on the marking label. If you are not sure of the type of power available, consult your dealer or local power company.
- ◆ To prevent damage to your installation it is important that all devices are properly grounded.
- ◆ Do not allow anything to rest on the power cord or cables. Route the power cord and cables so that they cannot be stepped on or tripped over.
- ◆ Position system cables and power cables carefully; Be sure that nothing rests on any cables.
- ◆ Never push objects of any kind into or through cabinet slots. They may touch dangerous voltage points or short out parts resulting in a risk of fire or electrical shock.
- ◆ Do not attempt to service the device yourself. Refer all servicing to qualified service personnel.

- ◆ If the following conditions occur, unplug the device from the wall outlet and bring it to qualified service personnel for repair.
 - ◆ The power cord or plug has become damaged or frayed.
 - ◆ Liquid has been spilled into the device.
 - ◆ The device has been exposed to rain or water.
 - ◆ The device has been dropped, or the cabinet has been damaged.
 - ◆ The device exhibits a distinct change in performance, indicating a need for service.
 - ◆ The device does not operate normally when the operating instructions are followed.
- ◆ Only adjust those controls that are covered in the operating instructions. Improper adjustment of other controls may result in damage that will require extensive work by a qualified technician to repair.

Rack Mounting

- ◆ Before working on the rack, make sure that the stabilizers are secured to the rack, extended to the floor, and that the full weight of the rack rests on the floor. Install front and side stabilizers on a single rack or front stabilizers for joined multiple racks before working on the rack.
- ◆ Always load the rack from the bottom up, and load the heaviest item in the rack first.
- ◆ Make sure that the rack is level and stable before extending a device from the rack.
- ◆ Use caution when pressing the device rail release latches and sliding a device into or out of a rack; the slide rails can pinch your fingers.
- ◆ After a device is inserted into the rack, carefully extend the rail into a locking position, and then slide the device into the rack.
- ◆ Do not overload the AC supply branch circuit that provides power to the rack. The total rack load should not exceed 80 percent of the branch circuit rating.
- ◆ Make sure that all equipment used on the rack – including power strips and other electrical connectors – is properly grounded.
- ◆ Ensure that proper airflow is provided to devices in the rack.
- ◆ Ensure that the operating ambient temperature of the rack environment does not exceed the maximum ambient temperature specified for the equipment by the manufacturer
- ◆ Do not step on or stand on any device when servicing other devices in a rack.
- ◆ **Caution:** Slide/rail (LCD KVM) mounted equipment is not to be used as a shelf or a work space.



Technical Support

International

- ◆ For online technical support – including troubleshooting, documentation, and software updates: <http://support.aten.com>
- ◆ For telephone support, see *Telephone Support*, page iv:

North America

Email Support		support@aten-usa.com
Online Technical Support	Troubleshooting Documentation Software Updates	http://www.aten-usa.com/support
Telephone Support		1-888-999-ATEN ext 4988 1-949-428-1111

When you contact us, please have the following information ready beforehand:

- ◆ Product model number, serial number, and date of purchase
- ◆ Your computer configuration, including operating system, revision level, expansion cards, and software
- ◆ Any error messages displayed at the time the error occurred
- ◆ The sequence of operations that led up to the error
- ◆ Any other information you feel may be of help

Specifications

Function	US3344I
Computer Connections	4
Connectors	
Computer	4 x USB Type B Female (Blue)
Device	4 x USB Type B Female (Blue)
Serial	1 x 5-pin Terminal Plug (Green)
Power	1 x 2-pin 9-24V Terminal Plug (Green)
Power (Optional)	1 x 12V DC Jack Female (Black)
Power Mode	Terminal Block / DC Jack Power Adapter
Power Consumption	DC12V: 0.0376W: 117
Port Selection	Remote port selector / serial command
LEDs	
Selected	4 (Green)
Serial	RS-422 (Orange) RS-485 (Green)
Cable Length	
USB Cable	2 x USB 3.1 Gen 1 Type-B to Type-A Cables 1.2M 2 x USB 3.1 Gen 1 Type-B to Type-A Cables 1.8M
Remote Port Selector	1.8 m
Environmental	
Humidity	0 - 80% RH, Non-Condensing
Operating Temperature	0 - 50 °C
Storage Temperature	-20 - 60 °C
Physical Properties	
Housing	Metal
Weight	1.04 kg (2.29 lb)

Function	US3344I
Dimensions (L x W x H)	20.00 x 8.00 x 2.50 cm (7.87 x 3.15 x 0.98 in)

Limited Warranty

ATEN warrants its hardware in the country of purchase against flaws in materials and workmanship for a Warranty Period of two [2] years (warranty period may vary in certain regions/countries) commencing on the date of original purchase. This warranty period includes the [LCD panel of ATEN LCD KVM switches](#). Select products are warranted for an additional year (see [A+ Warranty](#) for further details). Cables and accessories are not covered by the Standard Warranty.

What is covered by the Limited Hardware Warranty

ATEN will provide a repair service, without charge, during the Warranty Period. If a product is defective, ATEN will, at its discretion, have the option to (1) repair said product with new or repaired components, or (2) replace the entire product with an identical product or with a similar product which fulfills the same function as the defective product. Replaced products assume the warranty of the original product for the remaining period or a period of 90 days, whichever is longer. When the products or components are replaced, the replacing articles shall become customer property and the replaced articles shall become the property of ATEN.

To learn more about our warranty policies, please visit our website:
<http://www.aten.com/global/en/legal/policies/warranty-policy/>

© Copyright 2021 ATEN® International Co., Ltd.
Released: 2022-03-03

ATEN and the ATEN logo are registered trademarks of ATEN International Co., Ltd. All rights reserved. All other brand names and trademarks are the registered property of their respective owners.